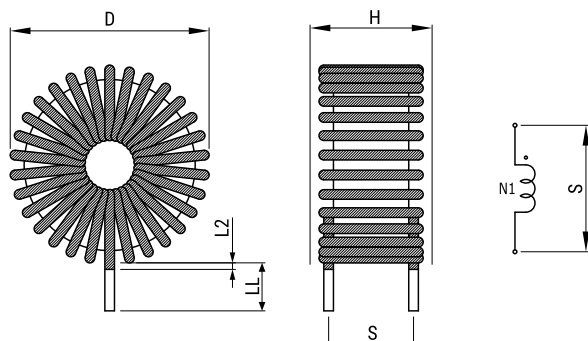


KEMET Part Number: SN12HP-2201
(UALSN12HP22010)

KEMET, SN, AC Line Filters, Normal Mode, 0.02 mH



Dimensions

D	26mm MAX
H	16mm MAX
LL	4mm +/-1mm
S	10mm NOM
L2	1.5mm MAX
Wire Size	1.4mm

Packaging Specifications

Packaging:	Bulk
Component Weight:	22.4 g

General Information

Series:	SN
Style:	Through-Hole
Features:	Compact Size
RoHS:	Yes
Miscellaneous:	Temperature Rise Maximum: 50 K
Core:	Fe

Specifications

Inductance:	20 uH (0.1 MHz)
Current:	10 A
Temperature Range:	-25/+105°C
DC Resistance:	0.013 mOhms