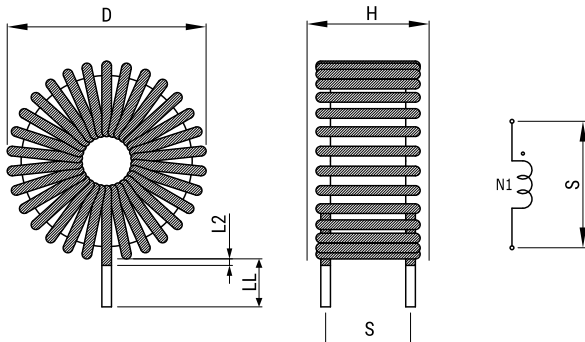


**KEMET Part Number: SN12-6501**  
(UALSN126501000)

KEMET, SN, AC Line Filters, Normal Mode, 0.17 mH



#### Dimensions

<b>D</b>	26mm MAX
<b>H</b>	13mm MAX
<b>LL</b>	20mm +/-2mm
<b>S</b>	9mm NOM
<b>L2</b>	1.5mm MAX
<b>Wire Size</b>	1mm

#### Packaging Specifications

<b>Packaging:</b>	Bulk
<b>Component Weight:</b>	21 g

#### General Information

<b>Series:</b>	SN
<b>Style:</b>	Through-Hole
<b>Features:</b>	Compact Size
<b>RoHS:</b>	Yes
<b>Miscellaneous:</b>	Temperature Rise Maximum: 55 K
<b>Core:</b>	Fe

#### Specifications

<b>Inductance:</b>	170 uH (0.1 MHz)
<b>Current:</b>	5 A
<b>Temperature Range:</b>	-25/+105°C
<b>DC Resistance:</b>	0.06 mOhms