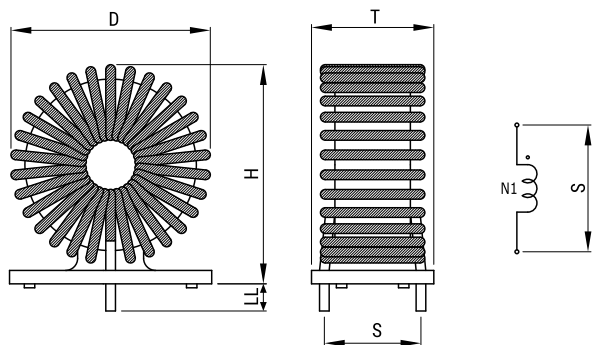


**KEMET Part Number: SN10-300J**  
(UALSN10300J000)

KEMET, SN-J, AC Line Filters, Normal Mode, 0.04 mH



#### Dimensions

<b>D</b>	23mm MAX
<b>W</b>	22mm NOM
<b>T</b>	16mm MAX
<b>H</b>	26mm MAX
<b>LL</b>	7mm +/-2mm
<b>S</b>	10mm NOM
<b>Wire Size</b>	0.8mm

#### Packaging Specifications

<b>Packaging:</b>	Tray
<b>Packaging Quantity:</b>	600
<b>Component Weight:</b>	12.5 g

#### General Information

<b>Series:</b>	SN-J
<b>Style:</b>	Through-Hole
<b>RoHS:</b>	Yes
<b>Miscellaneous:</b>	23 (K) Temperature Rise Max.
<b>Core:</b>	Fe

#### Specifications

<b>Inductance:</b>	40 uH (0.1 MHz)
<b>Current:</b>	3 A
<b>Temperature Range:</b>	-25/+105°C
<b>DC Resistance:</b>	41 mOhms