

## SMPX Series Surface Mount PLCC Socket



### Features

- Applications Include All Electronic PC Boards Requiring Use of a Socket with Same Footprints as Most Common Plastic Leaded Chip Carriers
- Accepts Molded Plastic Chip Carriers Conforming to JEDEC Specification MO-047 for Square and MO-052 for Rectangular Configuration
- Visual and Mechanical Polarization for PLCC Insertion
- Open Frame Design for Ease of Contact Inspection and Repair
- For High Temperature SMT Soldering up to 230 °C
- Optional PCB Polarizing Pegs Available
- Low profile; Less than .2" Mated Height
- Extraction Tool Slots\*
- Open Top Design for Cooler Running Chip Carrier
- Automatic Insertion Machine Compatible
- CSA/NRTL Certified File No. LR78160

### Performance Specifications

#### Material and Finish

**Body** : HT Thermoplastic, UL94V-0 Rated

**Contact Material** : Phosphor Bronze

**Contact Finish** : Tin Over Nickel Plating

#### Electrical Characteristics

**Contact Current Rating**: 1 Amp

**Contact Resistance**: 15 milliohms Max.

**Dielectric Withstanding Voltage**: 1000 VAC Min. for 1 Minute

**Insulation Resistance**: 10000 Megohms Min.

**Operating Temperature** : -50°C to + 105°C

\*PLCC Extraction Tool P/N TLPX-PLCC

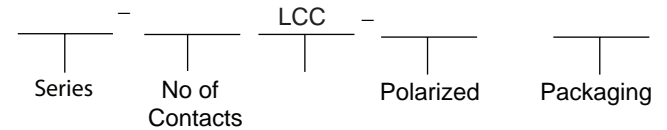
# CHIP CARRIER SOCKETS

## SMPX Series

### Documentation & Ordering Information


Kycon Part #

### Part Number Builder



#### Series

SMPX - Surface Mount PLCC Socket

#### Number of Contacts

- 20 - 20 Contacts
- 28 - 28 Contacts
- 32 - 32 Contacts
- 44 - 44 Contacts
- 52 - 52 Contacts
- 68 - 68 Contacts
- 84 - 84 Contacts

#### Polarized

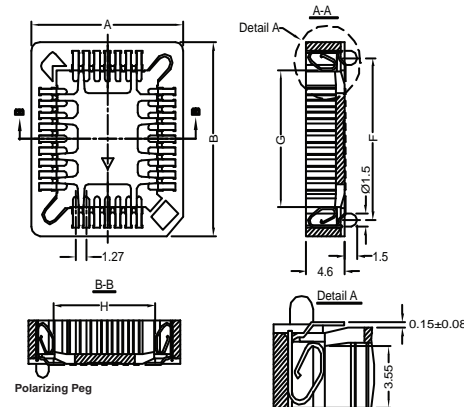
- N - Non-Polarized
- P - Polarized

#### Packaging

- Blank - Tubes
- TR - Tape and Reel ( Available only with N option)

Contact Kycon for Packaging and other Options

### SMPX Series Dimensions in mm



#### Dimensions in mm

Number of Contacts	A±0.2	B±0.2	C±0.1	D±0.1	E±0.2	F±0.2	G±0.15	H±0.15
20	15.65	15.65	5.08	5.08	16.80	12.70	9.56	9.56
28	18.18	18.18	7.62	7.62	20.40	15.24	12.10	12.10
32	18.18	20.75	7.62	10.16	22.20	17.78	14.64	12.10
44	23.28	23.28	12.70	12.70	31.20	20.32	17.18	17.18
52	25.84	25.84	15.24	15.24	32.20	22.86	19.72	19.72
68	30.95	30.95	20.32	20.32	38.40	27.94	24.80	24.80
84	36.00	36.00	25.40	25.40	45.60	33.02	29.88	29.88