

Industrial Wide-Gap Magnetic Contacts

SM-4601-LQ

3" (76mm) Gap, N.C., UL Listed

SM-4601-L3Q

3" (76mm) Gap, NO/NC

Features:

- Useful for industrial situations where a wide-gap, surface mount contact is needed
- Rugged aluminum housing
- Weatherproof and sealed for outdoor use
- 36" (91cm) wire leads enclosed in armored cable
- 3" (76mm) Gap
- Contact Type: SPST, iridium-plated to have a high melting point and Vickers hardness, which results in higher handling power and long life
- Mounting bracket included
- Lifetime limited warranty



SM-4601-LQ shown



Iridium-Plated Contacts

Rare-Earth Magnet

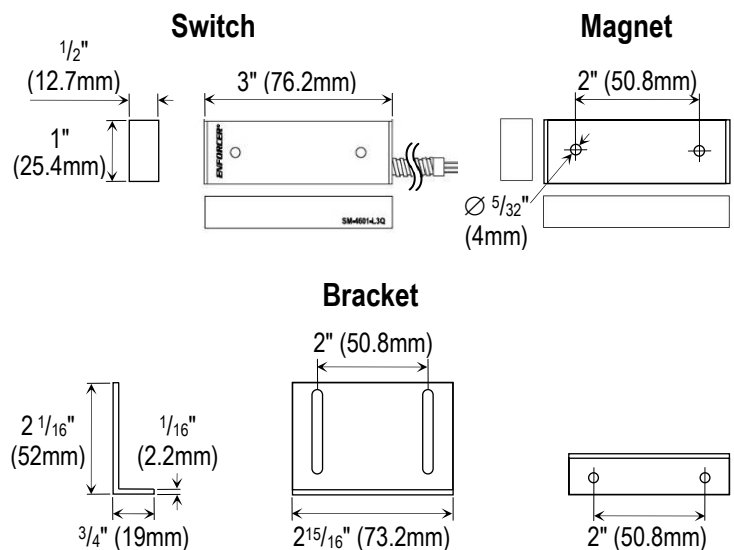
36" Armored Leads

3" Gap

Specifications:

Model number	SM-4601-LQ	SM-4601-L3Q
Circuit type	N.C.	NO/NC
Operation gap	3" (76mm)	
Material	Case	Aluminum
	Terminal	36" (91cm) armored leads
Contacts	Iridium-plated	
Contact rating	0.1A@100VDC (max)	
	1.0A@10VDC (max)	
	10W (max)	
Temperature	-15°~160°F (-25°~70°C)	
Switch cycles	50 Million (0.1mA@5VDC)	
Switch dimensions	3"x1"x1/2" (76.2x25.4x12.7mm)	
Magnet dimensions	3"x1"x1/2" (76.2x25.4x12.7mm)	
Magnet	Rare-earth neodymium	

Dimensions:



*SM-4601-LQ only

SECO-LARM® U.S.A., Inc.

16842 Millikan Avenue, Irvine, CA 92606

Phone: (949) 261-2999 | (800) 662-0800 Fax: (949) 261-7326

Website: www.seco-larm.com Email: sales@seco-larm.com



Copyright 2015 © SECO-LARM U.S.A., Inc. All rights reserved. All trademarks are the property of SECO-LARM U.S.A., Inc. or their respective owners. The SECO-LARM policy is one of continual development. For that reason, SECO-LARM reserves the right to change prices and specifications without notice. SECO-LARM is not responsible for misprints.

SECO-LARM® ENFORCER® CRIMEBUSTER® CBA SLI®

PiSM-4601series_150527.docx