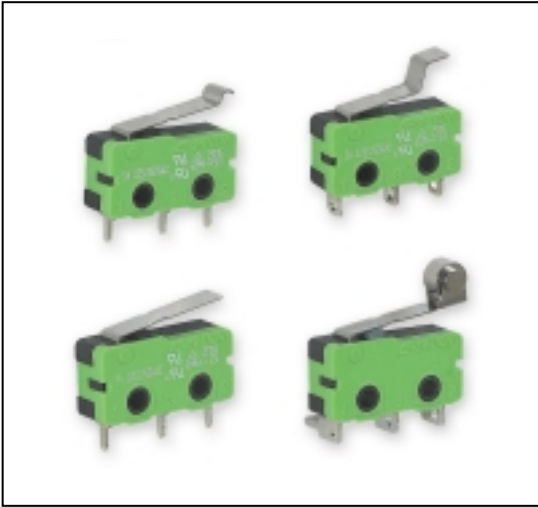


MINIATURE SNAP ACTION SWITCH



**SPECIFICATIONS**

Contact Rating: Gold .4VA max. @ 20 VDC or VAC Max.  
 0.2 Amps @ 48 VDC  
 3 Amps @ 125/250 VAC-UL, CUL, VDE  
 5 Amps @ 125/250 VAC-UL, CUL, VDE

Electrical Life: 100,000 cycles typical  
 Mechanical Life: 8,000,000 cycles typical

Insulation Resistance: 100 MΩ min.  
 Dielectric Strength: 1,000 V RMS @ sea level.

Operating Temperature: -25° C to 85° C (std)  
 -25° C to 125° C (consult factory)

Operating Force: See Chart

**MATERIALS**

Switch Housing: High Temperature PBT (UL94 V-0)  
 Phenolic (consult factory)

Actuator Button: High Temperature PBT (UL94 V-0)  
 Phenolic (consult factory)

Contacts: Silver (std) or Gold  
 Terminals: Copper Alloy  
 Spring: Spring Steel



HOW TO ORDER

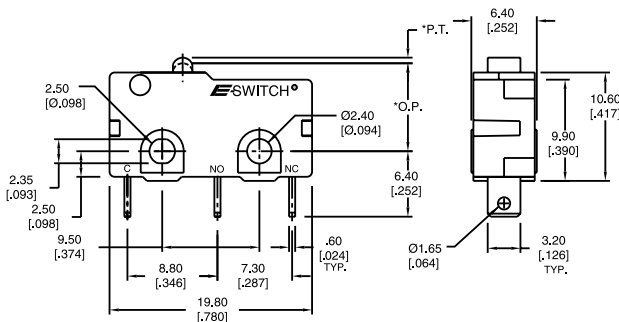
Series	Operating Temp.	Current Rating	Actuator	Operating Force	Termination	Circuit
<b>SM</b>						
<b>SM</b> *SP	085=85C *125=125C	Q1=0.12A R1=Gold 0.4 VA max. 03=3A 05=5A	See Chart	See Chart	S1=Solder Lug C1=0.110 Quick Connect P1=PCB Pin V1=Right Angle PCB Pin	A=SPDT B=SPST NC C=SPST NO

\*Contact E-Switch

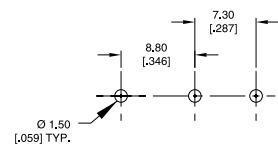
**EXAMPLE**

**SM** → **085** → **R1** → **00** → **F130** → **S1** → **A**

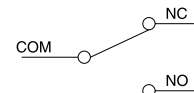
SPECIFICATIONS SUBJECT TO CHANGE WITHOUT NOTICE.



P.C. MOUNTING

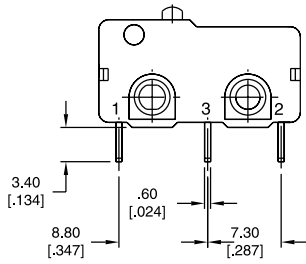


**Schematic**

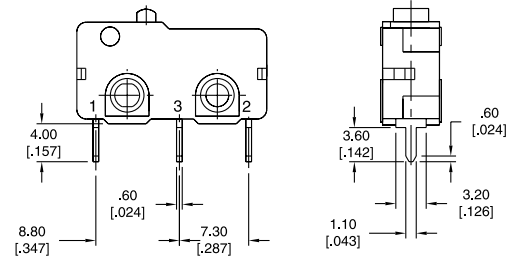


TERMINATION OPTIONS

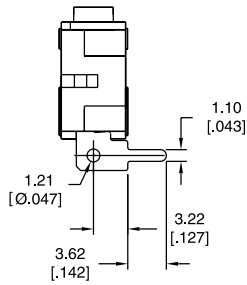
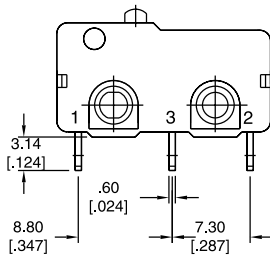
**S1** Solder Lug



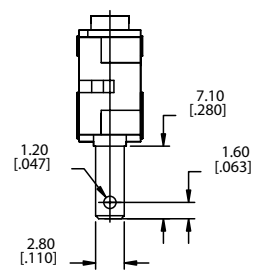
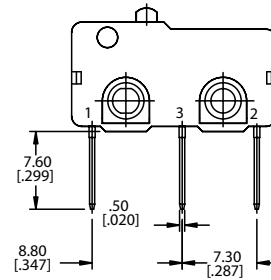
**P1** PCB Terminals



**V1** Right Angle PCB Pin



**C1** 0.110 Quick Connect



SPECIFICATIONS SUBJECT TO CHANGE WITHOUT NOTICE.

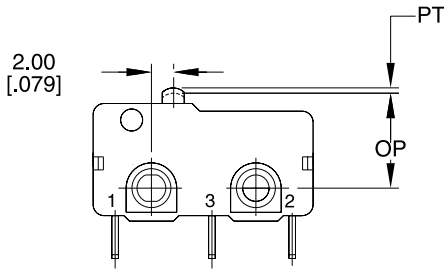
ACTUATOR AND OPERATING

**ACTUATOR AND OPERATING FORCE CHART**

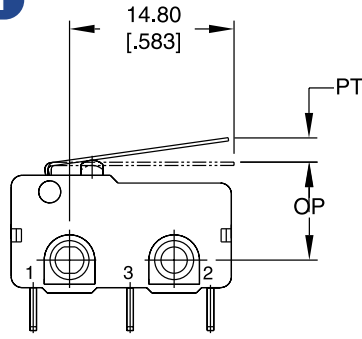
ACTUATOR	ACTUATION/RETURN FORCE	ACTUATION/RETURN FORCE	ACTUATION/RETURN FORCE	ACTUATION/RETURN FORCE	PT	OP	OT
00	080 / 15	130 / 20	160 / 35	230 / 130	0.6	8.7	0.3
01	025 / 8	035 / 10	045 / 12	065 / 25	1.9	9.0	1.9
02	020 / 8	030 / 10	038 / 12	050 / 15	2.0	9.4	2.0
03	015 / 6	020 / 8	025 / 10	045 / 12	2.3	9.5	3.0
04	020 / 8	035 / 8	045 / 12	065 / 20	2.0	10.2	2.4
05	015 / 5	030 / 8	038 / 12	055 / 16	1.9	14.6	1.8
06	020 / 8	038 / 8	040 / 12	060 / 20	2.0	13.0	1.5
07	020 / 8	040 / 12	050 / 15	065 / 20	1.7	13.5	1.8
08	020 / 8	040 / 12	055 / 16	080 / 35	1.8	12.7	2.3

PT= Pretravel OP= Operating Point OT= Over Travel

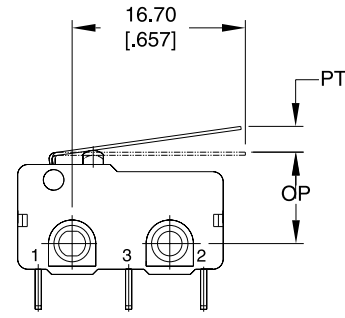
**00**



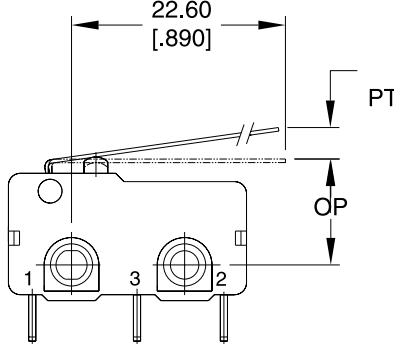
**01**



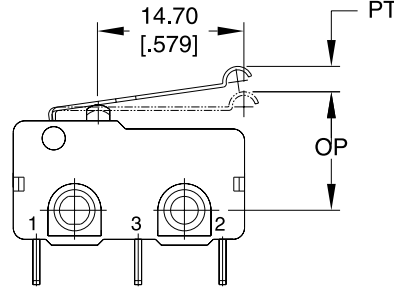
**02**



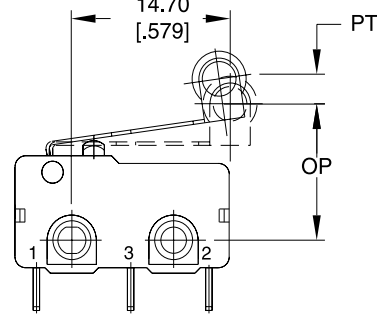
**03**



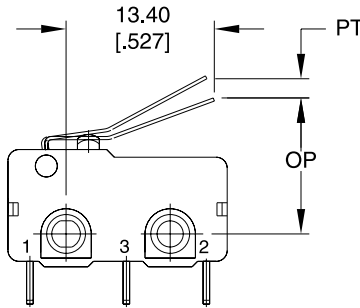
**04**



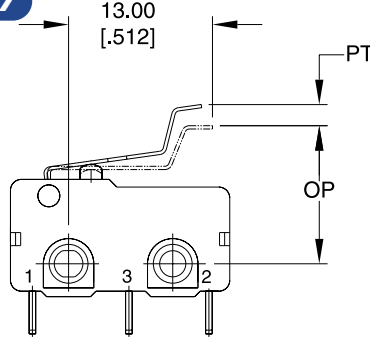
**05**



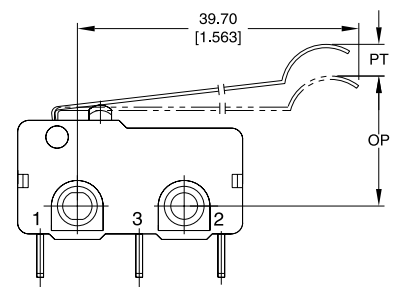
**06**



**07**



**08**



SPECIFICATIONS SUBJECT TO CHANGE WITHOUT NOTICE.