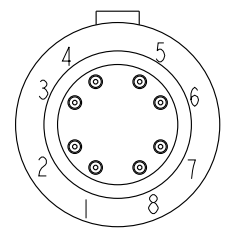
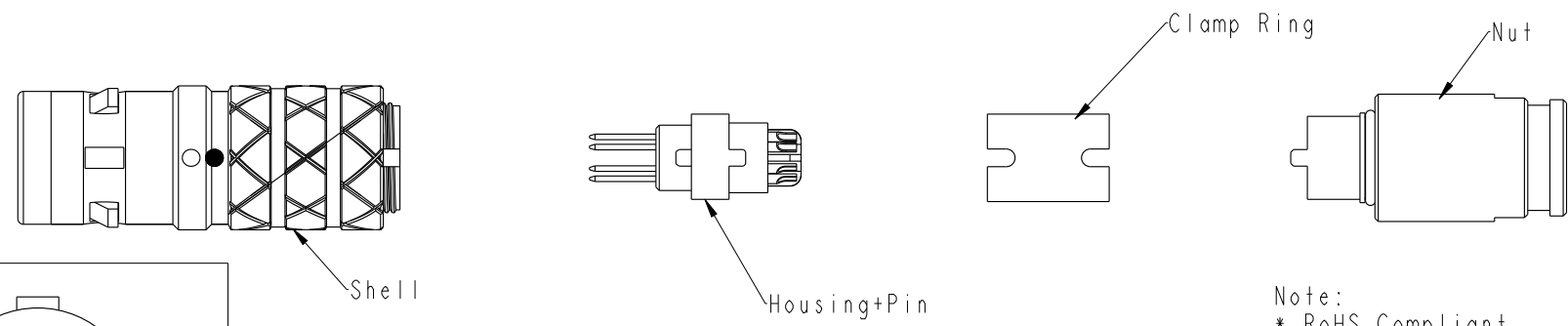
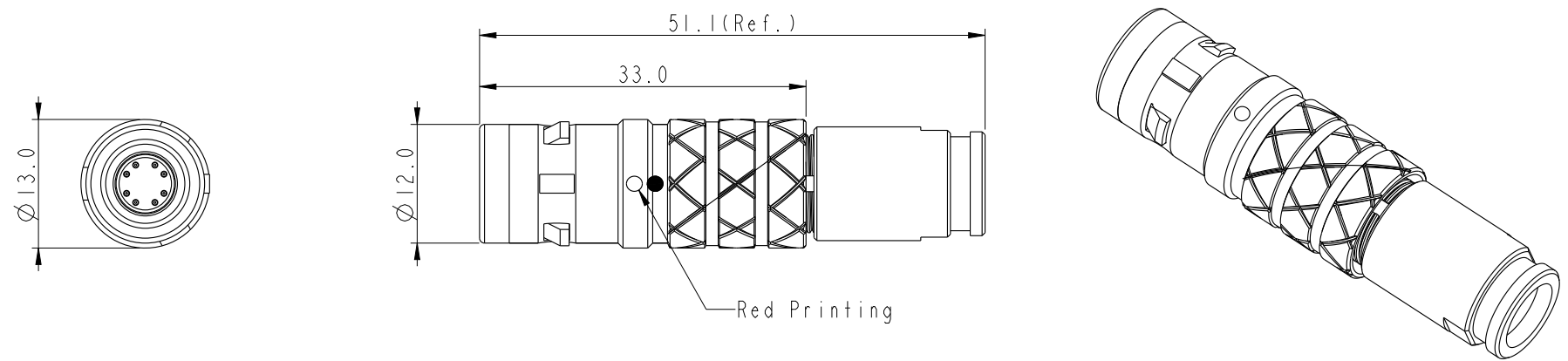


THIS DOCUMENT IS SUBJECT TO CHANGE WITHOUT NOTICE. IT IS CONFIDENTIAL AND A PROPERTY OF AMPHENOL LTW. DISCLOSURE TO THIRD PARTY HAS TO BE AUTHORIZED BY AMPHENOL LTW.

REV.	ECN NO.	DATE	SIGN	DESCRIPTION



Pin Assignments
Front View

Note:
 * RoHS Compliant
 * \varnothing Important Dimension
 * Waterproof Rate: IPX8, Mated 1m/24h
 * Connector
 Housing: Thermoplastic, Black
 Pin: Copper Alloy, Gold Plated
 Gasket / O-Ring: Rubber, Gray
 * Clamp Ring: Metal
 * Sealing Nut: Metal
 * Seal: Rubber, Gray, OD: $\varnothing 6.2\text{mm} \sim \varnothing 6.5\text{mm}$
 * One set assembled in one PE bag

UNIT:mm		
TOLERANCE		
±0.5mm		

TITLE FLO C SIZE CAT6A FI 8P			
SCALE 1:1	SIZE A4	SHEET 1 OF 1	
REV. A	WC-REV. .0	Inspection item	

Amphenol LTW
 安費諾亮泰企業股份有限公司

ITEM NO. SLKC-A08FGMS-GCP-225	DRAWN BY Ouyang	DATE 2021-04-23
DWG NO. SLKC-A08FGMS-GCP-225	CHECKED BY Jerry	DATE 2021-04-23
CUSTOMER ALTW	APPROVED BY Fred	DATE 2021-04-23