

SLB SERIES

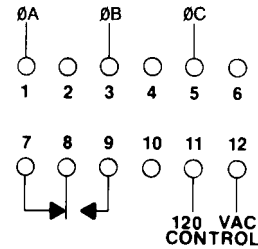
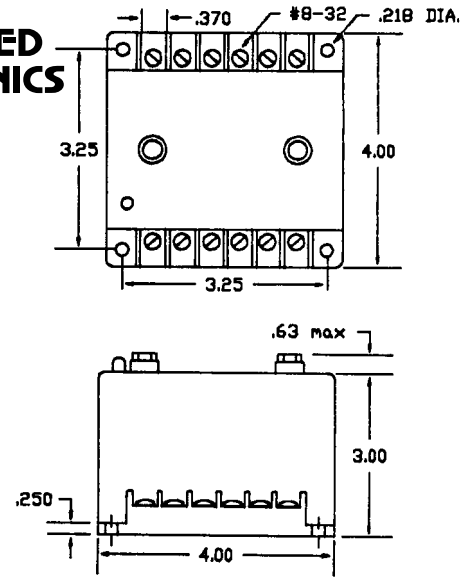


Phase Unbalance, Phase Loss and Phase Sequence Monitor/Relays



Style E

DIMENSIONS INCHES



OPERATION

The SLB Series is designed to protect three-phase equipment against **Phase Unbalance**, **Phase Loss**, and **Phase Reversal** conditions.

With normal operating voltages in the proper ABC sequence and the 120 VAC control voltage applied, the internal relay will energize (PICK-UP). When any combination of Phase Unbalance exceeding the preset value or Phase Loss or Phase Reversal occurs for longer than the preset drop out time, the output relay will de-energize (DROP-OUT). If the control voltage is removed, the relay will de-energize.

The wide input voltage range permits use on any one of several standard line voltages without recalibrating. The unbalance detection level is adjustable from 2% to 15%.

Both Delta and Wye systems may be monitored. In Wye systems, connections to neutral are not required.

The LED indicator glows when conditions are normal.

NOTE: A balanced condition exists and the output relay will energize when there is a complete absence of voltage on all three phases (Terminals 1, 3 and 5) and the control voltage is continuously applied to (Terminals 11 and 12). For this reason, the SLB series is ideally suited for load side monitoring applications.

SPECIFICATIONS

- OPERATING VOLTAGE:** See Table Below
- PHASE SEQUENCE:** ABC (Will Not Operate CBA)
- CONTROL VOLTAGE:** 120 VAC, 1 Phase, 60 Hz
- POWER REQUIRED:** 3 VA, Maximum
- PHASE UNBALANCE RANGE:** 2% to 15%, Adjustable
- RESPONSE TIMES**
 - Operate: 60 Milliseconds, Fixed
 - Release: 0.1 to 5 Seconds, Adjustable
- TEMPERATURES**
 - Operate: 32° to +131°F (0° to +55°C)
 - Storage: -49° to 185°F (-45° to +85°C)
- INDICATOR LED:** Glows When All Conditions Are Normal
- OUTPUT RATING:** SPDT, 10 Amps @ 120 VAC, 5 Amps @ 240 VAC, Resistive

The SLB Series will not detect an equal and simultaneous reduction in voltage on all three lines (Brown Out).

MODEL NUMBER	OPERATING VOLTAGE	RESET	HYSTERESIS
SLB-200-ALEA	Standard 0-300; 3 Ø Line Voltages 60 Hz	Automatic	10% of Unbalance Setting
SLB-200-ALER		Manual	None
SLB-400-ALEA	Standard 300-500; 3 Ø Line Voltages 60 Hz	Automatic	10% of Unbalance Setting
SLB-400-ALER		Manual	None

All voltages referenced on this page are phase-to-phase.