

Typical Applications

Electro-mechanical relays
Thermal timers
Solid state and hybrid time delay relays
Solid state controls for liquid level sensing and other processes

Description

Screw terminals and captive self-lifting wire clips for reliable and easy wire insertion.*

Contrasting all-black bodies and accessories with nickel color terminals that facilitate easy wiring and/or trouble shooting.

Integral molded barrier construction. Durable polycarbonate body. UL rated for flammability to 94V2 with high-voltage arc track characteristics.

Patented design assures positive connection that exceeds UL486 requirements for wire pull-out specifications, including heat and security standards. Back plate ultrasonically welded to body, eliminating need for additional panel insulation.

Choice of mountings: direct panel or track.

Track: strong, lightweight aluminum; standard length 3 feet.

Dielectric strength: 2000V.

*Combination slot/Phillips head screw available on request.

Approvals

UL Recognized File No. E48784.

CSA Certified File No. LR28098.



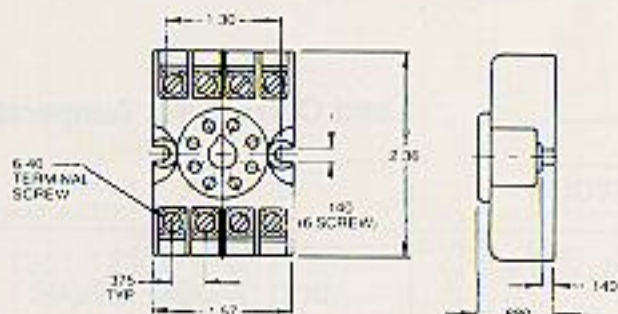
Ordering Information

Octal Sockets for Cradle Relay

Catalog No.	Contact Arrangement
H50SL608	8 pin—2 pole double throw
H50SL611	11 pin—3 pole double throw

Blade Socket for Midget Power Relay

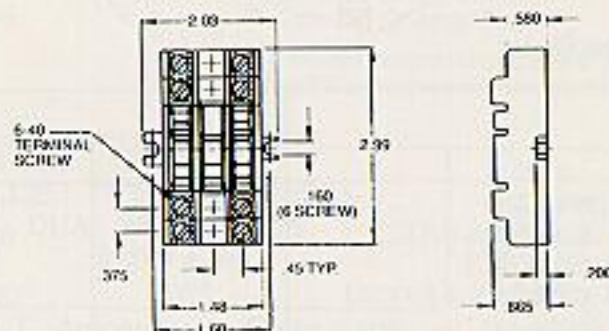
Catalog No.	Contact Arrangement
H50SL708	2 pole double throw
H50SL711	3 pole double throw
H50SL715	4 pole double throw



NOTE: SL608A is same as Model SL608 except Terminals: standard pan head 6-40 screw.

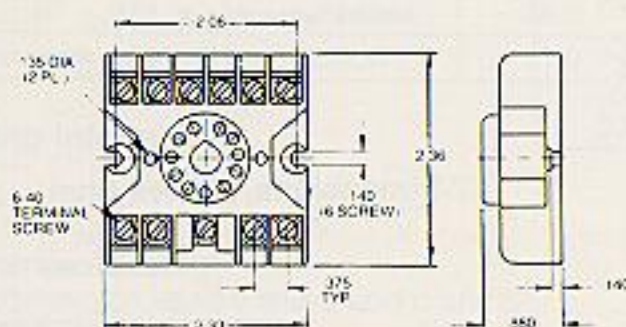
H50SL608

Industrial 8-pin octal socket. Rating: UL and CSA, 10 amperes, 300VAC. Wire sizes: up to #12 AWG. Terminals: pan head 6-40 screw.



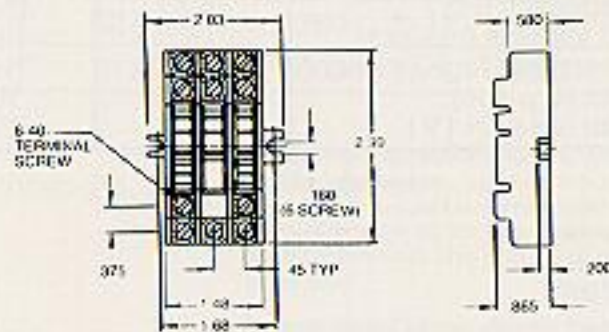
H50SL708

Industrial 8-pin blade type socket. Rating: UL, 15 amperes, 300VAC; CSA, 10 amperes, 300VAC. Wire sizes: up to #12 AWG. Terminals: pan head 6-40 screw.



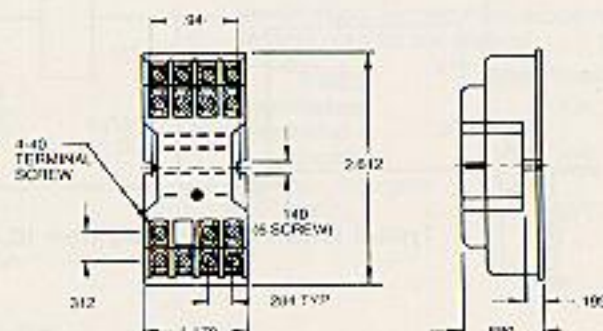
H50SL611

Industrial 11-pin magnol socket. Rating: UL and CSA, 10 amperes, 300VAC. Wire sizes: up to #12 AWG. Terminals: pan head 6-40 screw.



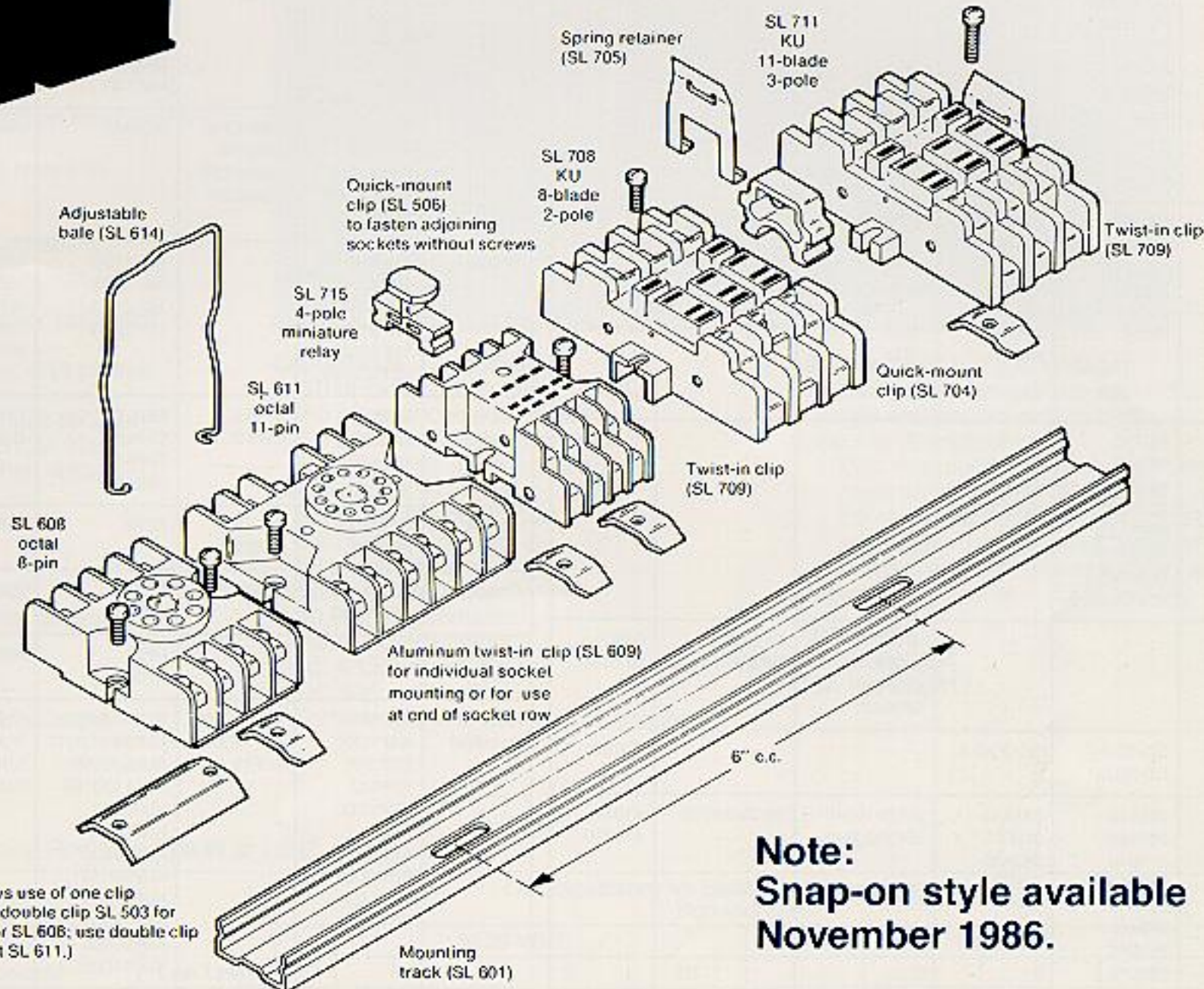
H50SL711

Industrial 11-pin blade type socket. Rating: UL, 15 amperes, 300VAC; CSA, 10 amperes. Wire sizes: up to #12 AWG. Terminals: pin head 6-40 screw.



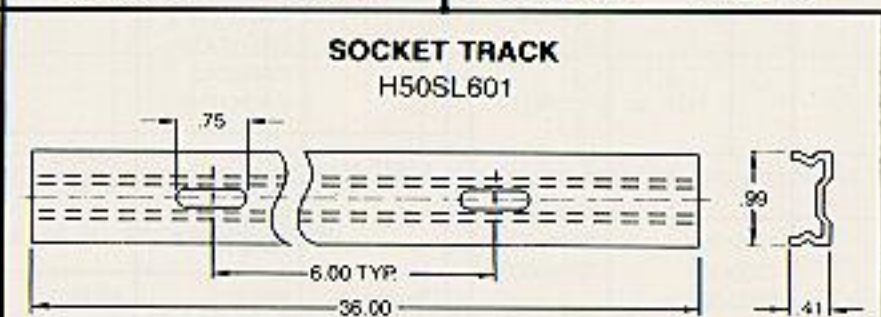
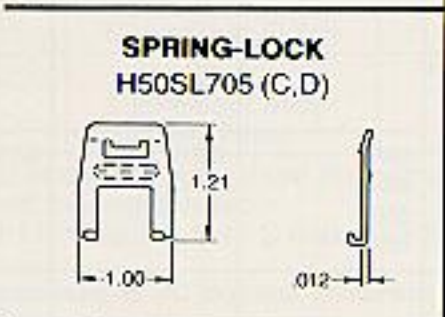
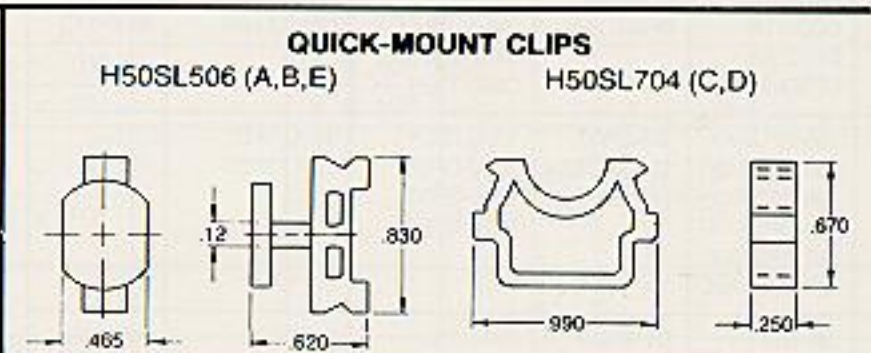
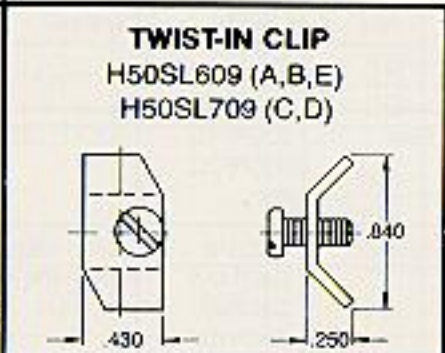
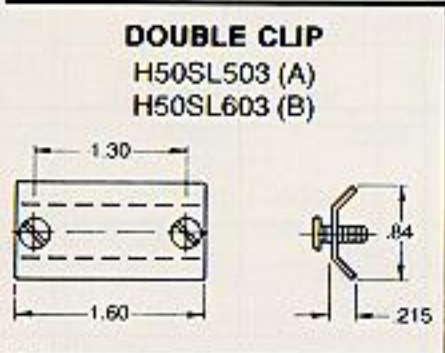
H50SL715

Industrial 14-pin blade type socket. Rating: UL and CSA, 5 amperes, 300VAC. Wire sizes: up to #14 AWG. Terminals: pan head 4-40 screw.



Double clip allows use of one clip per socket. (Use double clip SL 503 for sockets SL 508 or SL 608; use double clip SL 603 for socket SL 611.)

Note:
Snap-on style available
November 1986.



LEGEND
For use with . . .

- (A) H50SL608 and H50SL608A sockets
- (B) H50SL611 sockets
- (C) H50SL708 sockets
- (D) H50SL711 sockets
- (E) H50SL715 sockets

