

[Top Page](#) > [Products](#) > [TACT Switch\(TM\)](#) > [Surface Mount Type TACT Switch\(TM\)](#)
[> SKSN Series](#) > [SKSNLAE010](#)
 [Related information](#)

[Dimensions](#) [PC board Land Dimensions](#) [Circuit Diagram](#) [Mounting location of switch](#)
[Packing Specifications](#) [Soldering Conditions](#)



Sidepush™ Mid-mount Type (Surface Mount) SKSN Series

Detail

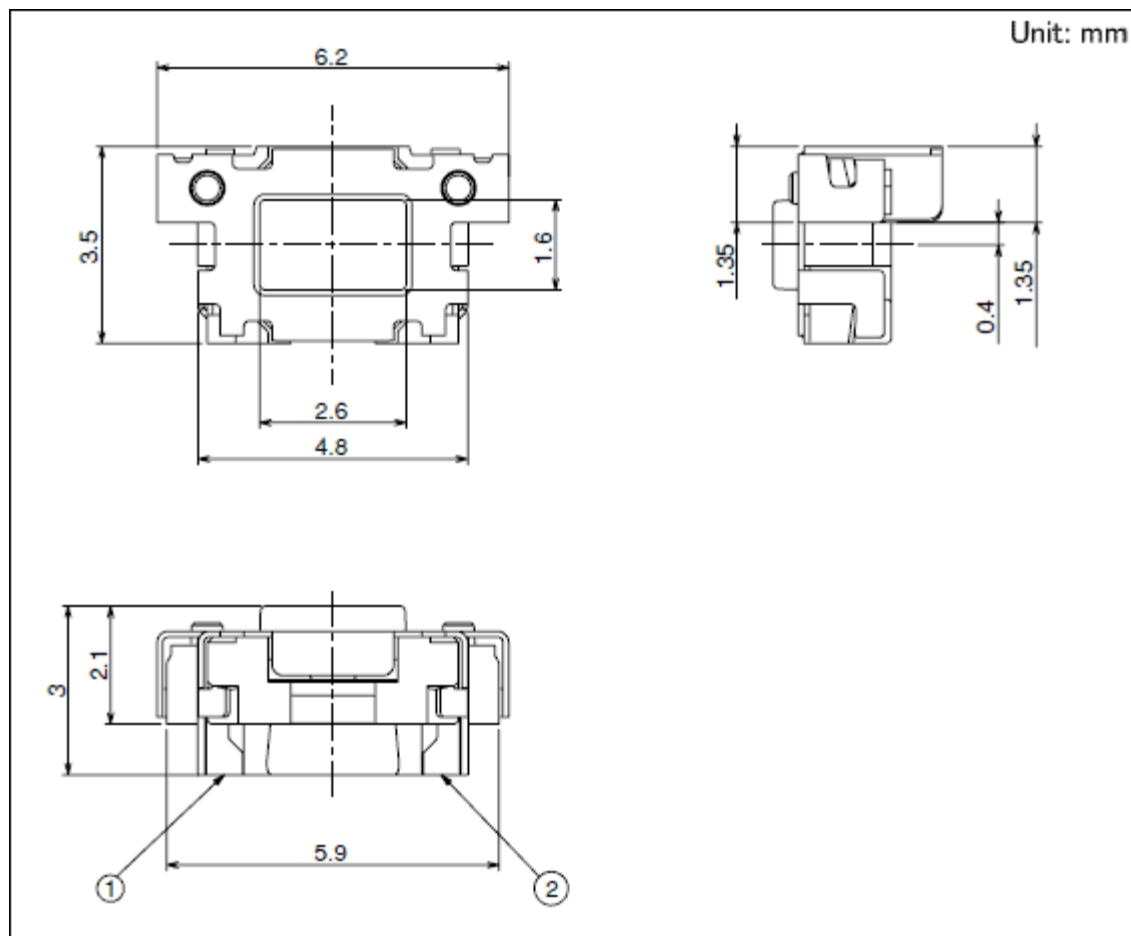
Part number	SKSNLAE010
-------------	------------

Type	Surface mount
Operating force	2.4N
Operating direction	Horizontal
Travel	0.2mm
Operating life (5mA 5V DC)	500,000 cycles
Initial contact resistance	100mΩ max.
Minimum order unit (pcs.)	25,000

Operating temperature range		-40 to +85
Rating (max.)		50mA 12V DC
Rating (min.)		10μA 1V DC
Electrical performance	Insulation resistance	100MΩ min. 100V DC
	Voltage proof	250V AC for 1 min.
Durability	Vibration	10 to 55 to 10Hz/min., the amplitude is 1.5mm for all the frequencies, in the 3 direction of X, Y and Z for 2 hours respectively
Environmental performance	Cold	-40±2 for 96h
	Dry heat	90±2 for 96h
	Damp heat	60±2 , 90 to 95%RH for 96h

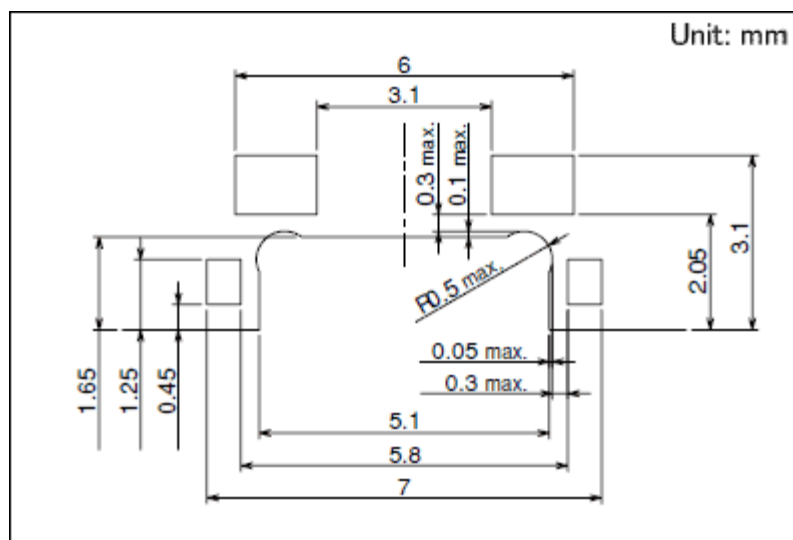


Dimensions



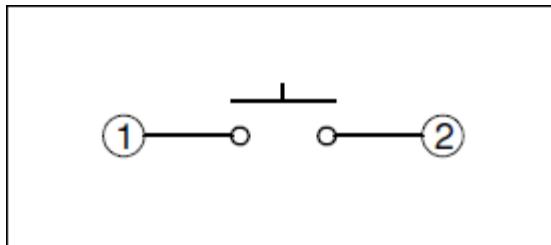
[TOP](#)

•• PC board Land Dimensions



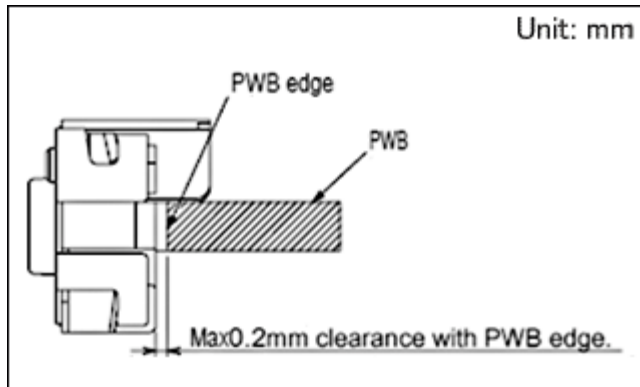
[TOP](#)

•• Circuit Diagram



[TOP](#)

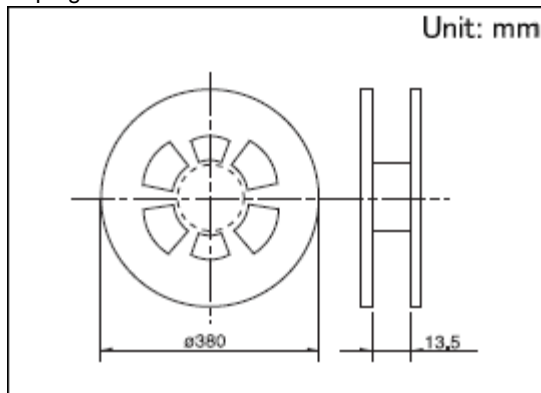
● Mounting location of switch



[TOP](#)

● Packing Specifications

Taping



Number of packages (pcs.)	1 reel	2,500
	1 case / Japan	25,000
	1 case / export packing	25,000
Tape width (mm)		12
Export package measurements (mm)		401×401×214

[TOP](#)

● Soldering Conditions

Condition for Reflow

1. Heating method

Double heating method with infrared heater.

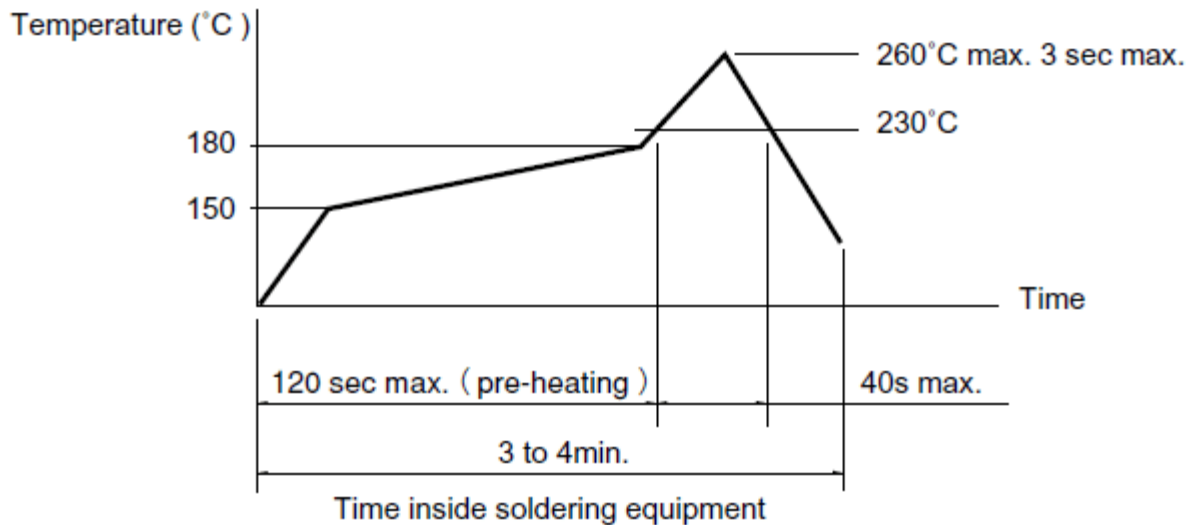
2. Temperature measurement

Thermocouple 0.1 to 0.2 Φ CA(K) or CC(T) at solder joints (copper foil surface). A heat resisting tape should be used for fix measurement.

3. Temperature profile

(1) The above temperature shall be measured of the top of switch. There are cases where PC board's temperature greatly differs from that of the switch, depending on the material, size, thickness of PC board's and others. Care, should be taken to prevent the switch's surface temperature from exceeding 260 .

(2) Soldering conditions differ depending on reflow soldering machines. Prior verification of soldering condition is highly recommended.



Manual Soldering

Items	Condition
Soldering temperature	350 max.
Duration of soldering	3s max.
Capacity of soldering iron	60W max.

1. Consult with us for availability of TACT switch™ washing.
2. Prevent flux penetration from the top side of the TACT switch™.
3. Switch terminals and a PC board should not be coated with flux prior to soldering.
4. The second soldering should be done after the switch returns to normal temperature.

[TOP](#)

NOTE

Notes are common to this series/models.

1. This site catalog shows only outline specifications. When using the products, please obtain formal specifications for supply.
2. Please place purchase orders for taping products per minimum order unit (1 reel or a case).
3. For $\phi 330$ mm diameter reel requirements, please contact us.
4. Please contact us for automotive use.

Inquiries about Products

For more information please contact: Products Information Center.

1-7, Yukigaya-otsukamachi, Ota-ku, Tokyo, 145-8501, Japan

Phone: +81 (3) 5499-8154