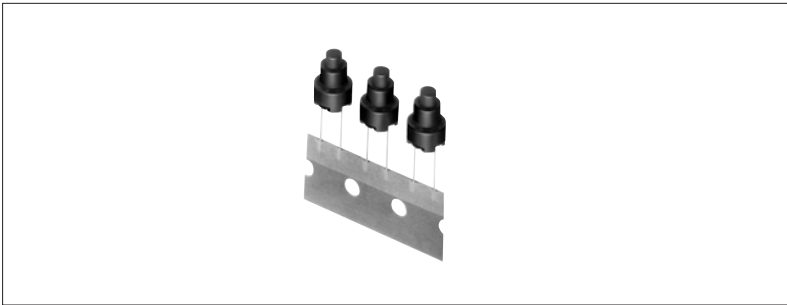


# 9mm Diameter Water-proof TACT Switch with Round Terminals (Radial)

SKRC Series

A round terminal type achieves efficient surface mounting and boasts excellent dustproof and water-proof capabilities.

- Power
- Push
- Slide
- Rotary
- Encoders



- Jog Shuttle
- Telephone-hook
- Detector
- Vibration Sensors
- Dual-in-line Package Type
- Multi Control Devices

TACT

Sharp Feeling

Soft Feeling

Snap-in Type

Surface Mount Type

Radial Type

## Features

- Switches are supplied with radial taping.
- A round terminal is most suitable for radial auto-insertion/mounting on the PC board. (Able to reduce switch rising when mounted, to reduce cutter wearing of the assembly machines.)
- Better solderability, free from terminal, cutting edge.

## Applications

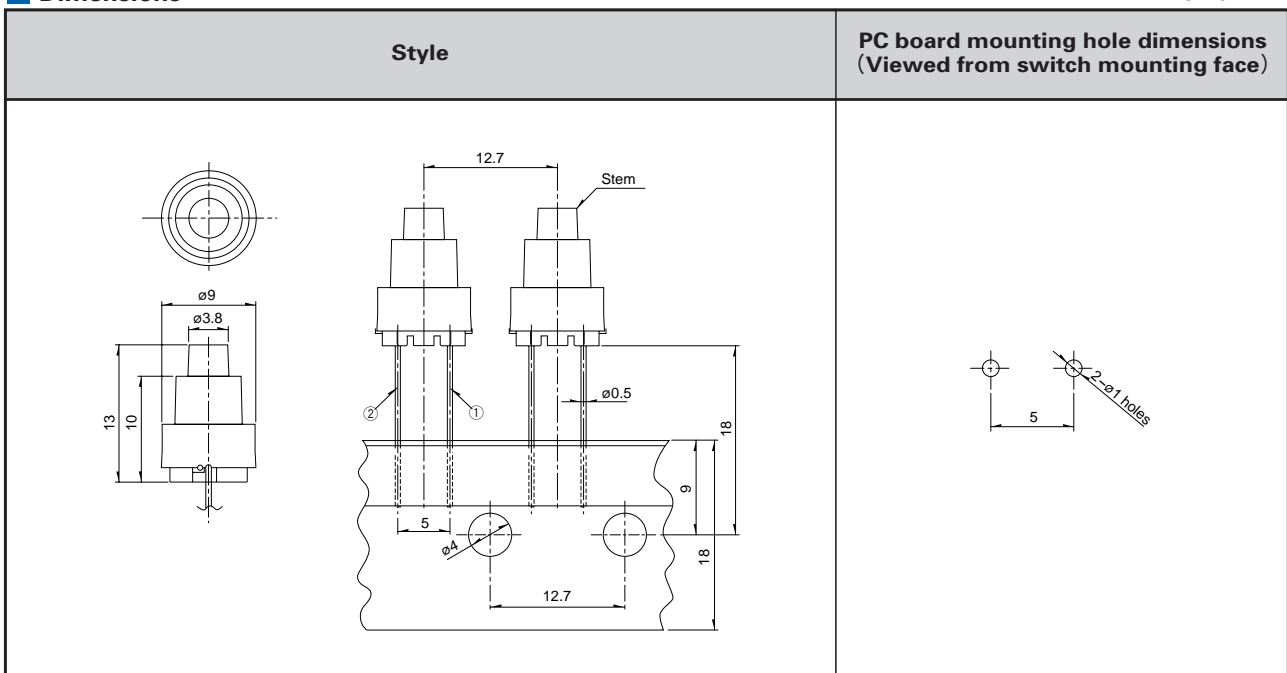
- Operating switches for washing machines and other electronic technology-based machines that require water-proof characteristics

## Products Line

Products No.	Operating force	Operating direction	Travel (mm)	Rating (max.)	Operating life (5mA 5V DC)	Initial contact resistance	Stem color
SKRCACD010	1.57N	Vertical	0.25	50mA 12V DC	100,000cycles	500mΩ max.	Dark gray
SKRCADD010	2.55N						Red

## Dimensions

Unit : mm



## Note

Using a 1.6mm thick PC board is recommended.

For detailed specifications, see P.413  
 For soldering conditions, see P.414  
 For specifications for the taping package, see P.417

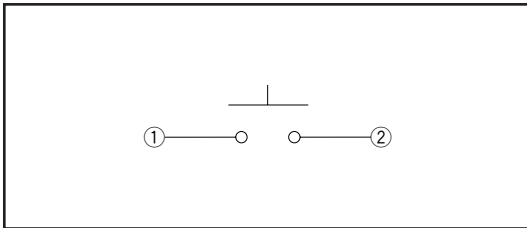
**Water Resisting Performance**

Temperature of water	60°C
Depth of water	10cm
Soaking time	240h

**Note**

Performance described above is applicable only to switches with terminal completely coated.

**Circuit Diagram**



**Notes**

1. After mounting a switch, apply coating until the terminal is completely covered by coating agents so that the intended waterproof performance may be maintained.
2. Please consult with us for further information about the coating agents.

Power

Push

Slide

Rotary

Encoders

Jog Shuttle

Telephone-hook

Detector

Vibration Sensors

Dual-in-line Package Type

Multi Control Devices

**TACT**

Sharp Feeling

Soft Feeling

Snap-in Type

Surface Mount Type

**Radial Type**

## Products Specifications

Items		Series	Sharp feeling type	Soft feeling type
		-20°C to +70°C		
Operating temperature range			-30°C to +85°C SKRM / RW	-30°C to +80°C SKPG
			-30°C to +90°C SKRA / RG / RP	-40°C to +90°C SKPF / PL / PM / PN
Rating (max.)			50mA 12V DC SKRP : 50mA 16V DC	5mA 12V DC SKPL/PM/PN : 50mA 16V DC
Rating (min.)		10 μA 1V DC		
Electrical performance	Insulation resistance	100MΩ SKEY/PD : 50MΩ		
	Voltage proof	250V AC for 1 min. SKRB/RH/RM/RR/EY/PD : 100V AC for 1min.		
Durability	Vibration	10 to 55 to 10Hz/min., the amplitude is 1.5mm for all the frequencies, in the 3 direction of X, Y and Z for 2 hours respectively		
	Lifetime	Shall be in accordance with individual specifications.		
Environmental performance	Cold	-30±2°C for 96h		
	Dry heat	80±2°C for 96h		
	Damp heat	60±2°C, 90 to 95%RH for 96h		

Power

Push

Slide

Rotary

Encoders

Jog Shuttle

Telephone -hook

Detector

Vibration Sensors

Dual-in-line Package Type

Multi Control Devices

TACT

Sharp Feeling

Soft Feeling

Snap-in Type

Surface Mount Type

Radial Type

### Note

We can raise the working temperature range for in-vehicle applications upon request. Contact us if you have any requirements of this kind.

### Specifications of LED (SKHJ)

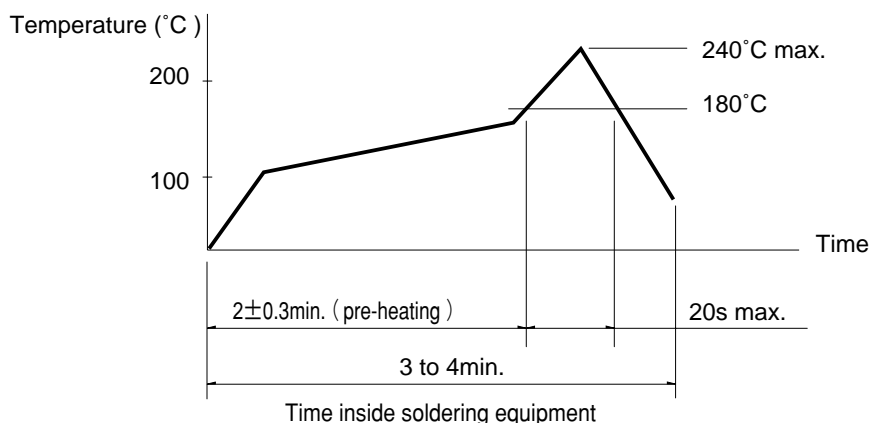
Color of light	Power dissipation	Forward pulse peak current	Forward current	Reverse voltage	Forward voltage	Reverse current	Peak emission wave length	Spectral line half width	Luminous intensity
	P (mW)	IFP (mA)	IFDC (mA)	VR (V)	VF (V) IF=10mA	IR (μA) VR=4V	λ peak (nm) IF=10mA	Δλ (nm) IF=10mA	IV (mcd) IF=10mA
Red	40	80	15	4	2.7 max. 2.05TYP	5 max.	700 TYP	100 TYP	0.4min. 1.0 TYP
Pure green					2.7 max. 2.0 TYP	10 max.	555 TYP	20 TYP	0.8min. 2.0 TYP
Amber							590 TYP	30 TYP	0.4min. 1.0 TYP
Orange (High brightness)				630 TYP	40 TYP	1.5min. 4.0 TYP			
Green (High brightness)				4	2.7 max. 2.05TYP	565 TYP	30 TYP	2.0min. 5.0 TYP	

## Soldering Conditions

### Condition for Reflow

Available for Surface Mount Type. (Except SKHM Series)

1. Heating method: Double heating method with infrared heater.
2. Temperature measurement: Thermocouple 0.1 to 0.2 φ CA (K) or CC (T) at soldering portion (copper foil surface). A heat resisting tape should be used for fixed measurement.
3. Temperature profile



### Notes

1. The condition mentioned above is the temperature on the mounting surface of a PC board. There are cases where the PC board's temperature greatly differs from that of the switch, depending on the PC board's material, size, thickness, etc. The above-stated conditions shall also apply to switch surface temperatures. (Except a part of Variety SKRM, SKRR Series)
2. Soldering conditions differ depending on reflow soldering machines. You are requested to verify the soldering conditions thoroughly beforehand.
3. Ask us for the specifications of lead-free products.

### Conditions for Auto-dip

Available for Snap-in Type and Radial Type

Items	Condition
Flux built-up	Mounting surface should not be coated with flux
Preheating temperature	Ambient temperature of the soldered surface of PC board. 100°C max.
Preheating time	45s max.
Soldering temperature	255°C max.
Continuous dipping time	5s max.
Number of soldering	2times max.

### Notes

1. Consult with us for TACT switch washing conditions.
2. Prevent flux penetration from the top side of the TACT switch.
3. Switch terminals and a PC board should not be coated with flux prior to soldering.
4. The second soldering should be done after the switch returns to normal temperature.
5. Use the flux with a specific gravity of at least 0.83. (MH-820V or CF220V by TAMURA Corporation, or their equivalents.)

### Manual Soldering

Available for Manual Soldering Type

Items	Condition
Soldering temperature	350°C max.
Continuous soldering time	3s max.

- Power
- Push
- Slide
- Rotary
- Encoders
- Jog Shuttle
- Telephone-hook
- Detector
- Vibration Sensors
- Dual-in-line Package Type
- Multi Control Devices
- TACT**

- Sharp Feeling
- Soft Feeling
- Snap-in Type
- Surface Mount Type
- Radial Type

# Specification of Radial Taping Package

## Taping Packaging for Auto-insertion

The SKHV, SKQC, SKQK, SKQN, SKQW, SKRC, SKRG, SKRS, SKPD and SKPL series are delivered with taping packaging.

### Box Size

Unit : mm

Series	A	B	C
SKHV SKQC SKQK SKRS SKPD SKQN	47	331	291
SKQW	61		
SKRGAL to AS	48		235
SKRGAA to AF	43	334	340
SKPL			
SKRC	55	337	370

### Quantity Accommodated Per Box

Series	Qty / reel (pcs.) (Minimum packing unit)
SKHV SKQK	1,000
SKQW SKRS	700
SKQC	1,500
SKPD	800
SKRG	2,000
SKQN SKRC	900
SKPL	2,700

Power

Push

Slide

Rotary

Encoders

Jog Shuttle

Telephone-hook

Detector

Vibration Sensors

Dual-in-line Package Type

Multi Control Devices

**TACT**

Sharp Feeling

Soft Feeling

Snap-in Type

Surface Mount Type

Radial Type