

SPECIFICATIONS

[1. General Specifications]

Product Name		Rotating Beacons				
Model		SKH-M1□□-□		SKH-M2□□-□		
Rated Voltage		12-24V DC		100-240V AC (50/60Hz)		
Operating Voltage Range		10-30V DC		90-250V AC		
Rated Current Consumption	Max.	No Buzzer	12V DC 0.21A	24V DC 0.12A	100V AC 0.07A	240V AC 0.04A
		With Buzzer	0.23A	0.15A	0.08A	0.05A
Rated Power Consumption	Max.	No Buzzer	2.5W		3.0W	
		With Buzzer	2.8W		3.3W	
Operating Ambient Temperature		-10°C to +50°C				
Operating Ambient Humidity		Less than 90 % (No condensation)				
Storage Ambient Temperature		-20°C to +60°C				
Storage Ambient Humidity		Less than 90 % (No condensation)				
Mounting Location		Indoor/Outdoor				
Mounting Direction		Indoor : Upright, Inverted & Sideways Outdoor : Upright				
Protection Rating		IP23(Excluding Terminal Block Aperture ※1) IP65(SZW-103 [Rubber Gasket] Attachment)				
Environmental Condition		Upright				
Insulation Resistance		More than 1MΩ at 500V DC between live part and non-current carrying metallic part		More than 3MΩ at 500V DC between live part and non-current carrying metallic part		
Withstand Voltage		500V AC applied for 1min between live part and non-current carrying metallic part without breaking insulation		4,000V AC applied for 1min between live part and non-current carrying metallic part without breaking insulation		
Mass (Typ.)		SKH-M1J	0.33kg	SKH-M2J	0.36kg	
		SKH-M1JB	0.34kg	SKH-M2JB	0.37kg	
		SKH-M1T	0.30kg	SKH-M2T	0.33kg	
		SKH-M1TB	0.31kg	SKH-M2TB	0.34kg	
Sound Pressure Level (Typ.)		88dB				
Environmental Condition		Front direction from the Buzzer Aperture/at 1m				
Rotation Flashing Rate (Typ.)		120 R.P.M.				
Conformity Standards		UL	UL508, CSA-C22.2 No.14 (UL File No.E215660)			
		EMC Directive	EN61000-6-4	EN61000-6-4, EN61000-6-2		
			EN61000-6-2	EN61000-3-2, EN61000-3-3		
		KC	KN61000-6-4, KN61000-6-2			
		FCC	FCC Part15 SubpartB ClassA, ICES-003 ClassA			
		RoHS Directive	EN50581			
		Low Voltage Directive	IEC/EN60947-5-1, EN62471			
EAC	TPTC020/2011	TPTC020/2011, TPTC004/2011				
		UL, Low Voltage Directive, and EAC have been evaluated for use in indoor industrial control equipment.				
Remarks		Due to the characteristics of the LED elements, a variation in difference of the color tone and brightness of every product may occur. ※1 For models with terminal block, additional waterproofing may be required depending on operating environment.				

[2.Model Number Configuration]

S K H - M 1 J B - R

■ **Rated Voltage・Wiring**

- M1J : 12-24V DC・Cabtyre Cord
- M1T : 12-24V DC・Terminal block
- M2J : 100-240V AC・Cabtyre Cord
- M2T : 100-240V AC・Terminal block

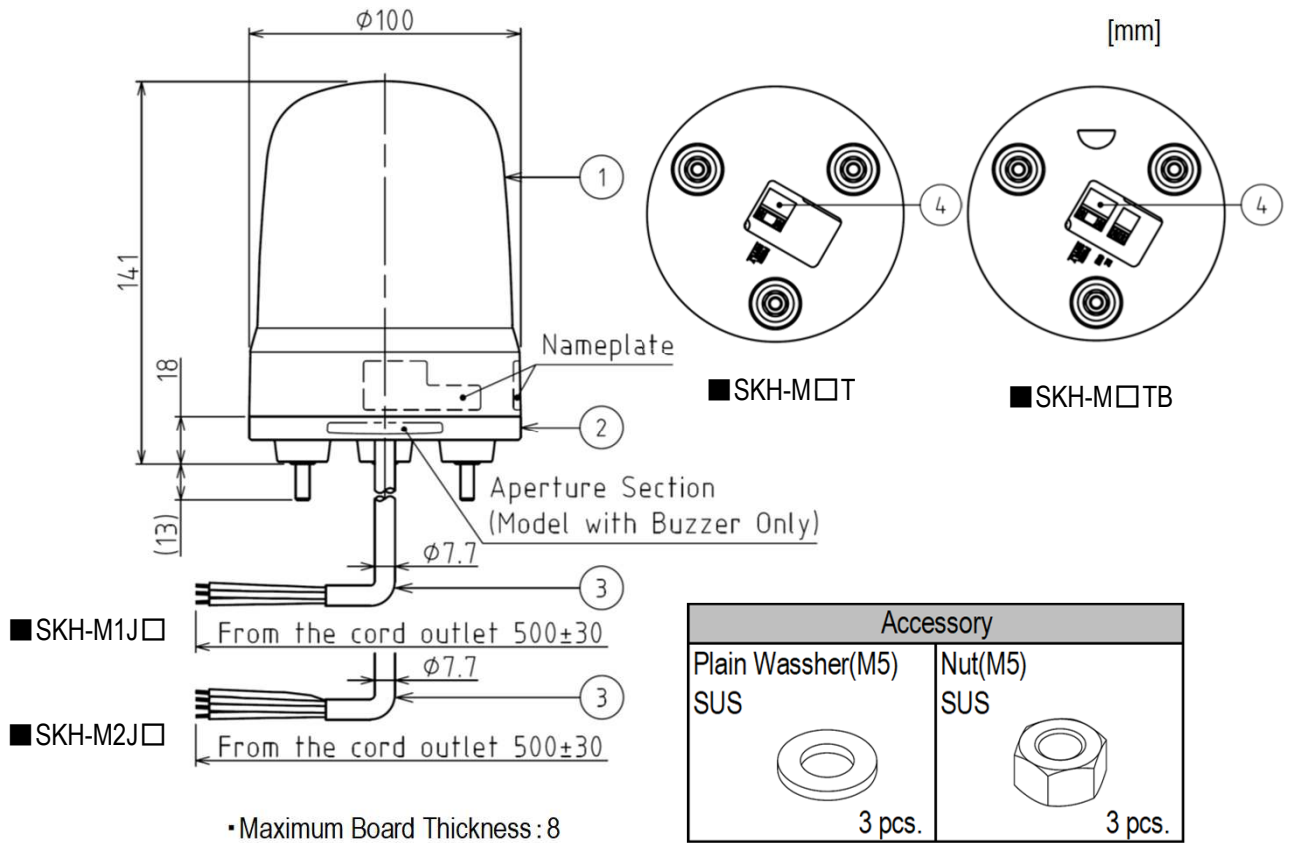
■ **Buzzer**

- (None) : No Buzzer
- B : With Buzzer

■ **LED Unit Color**

- R : Red
- Y : Amber
- G : Green
- B : Blue

[3.Outer Dimensions]



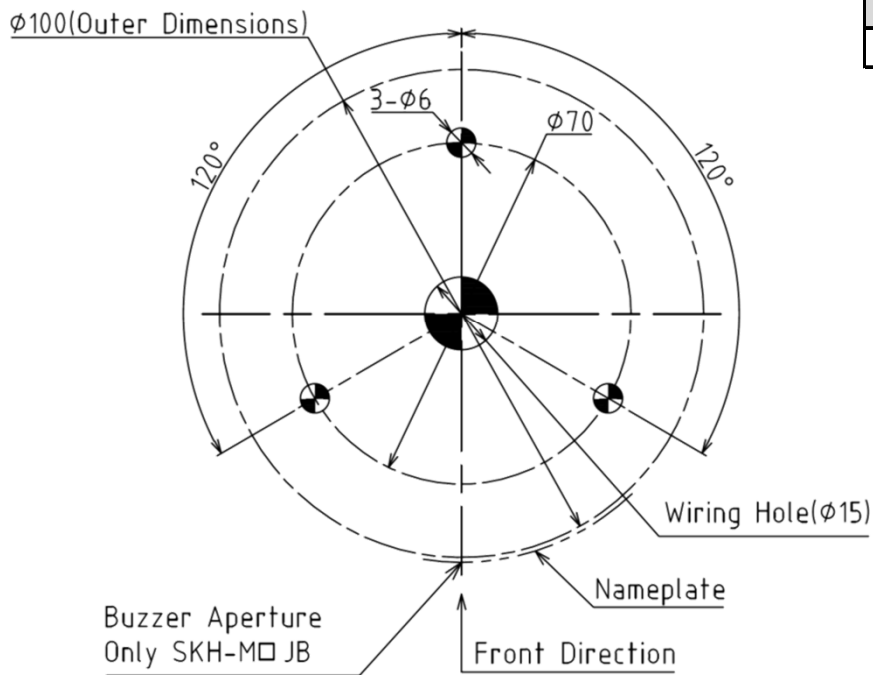
Number	Name	Material・Specification
1	Globe	PC
2	Case	PC
3	Cabtyre Cord	PVC, M1J□ : AWG22×3, M2J□ : AWG18×2+AWG24×2
4	Terminal block	LCP GF, Applicable wire size Solid Wire : 0.13-1.5mm ² , Stranded Wire : AWG28-14

Drawing No.	Rev.	Page
SKH-M1J-W18	A	3 / 4

[4. Mounting Dimensional Drawing]

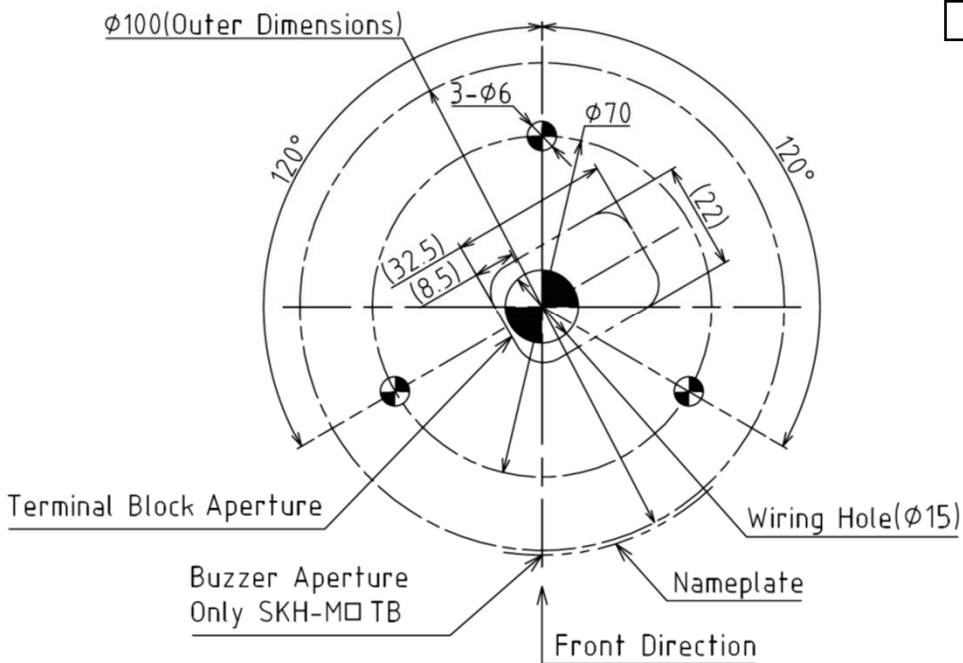
[mm]

■ SKH-M1J□/SKH-M2J□



Recommended Tightening Torque
1.4N·m

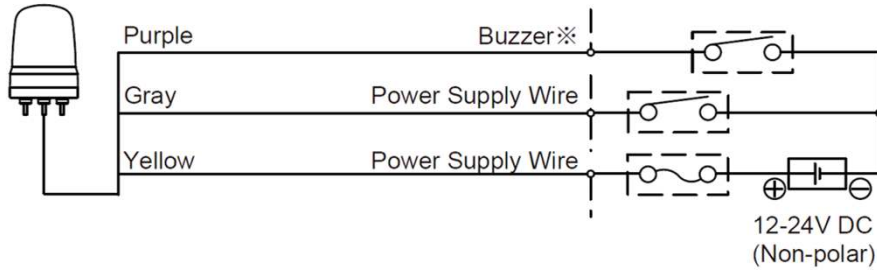
■ SKH-M1T□/SKH-M2T□



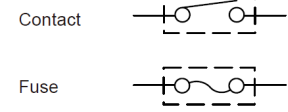
Recommended Tightening Torque
1.4N·m

[5.Wiring Diagram]

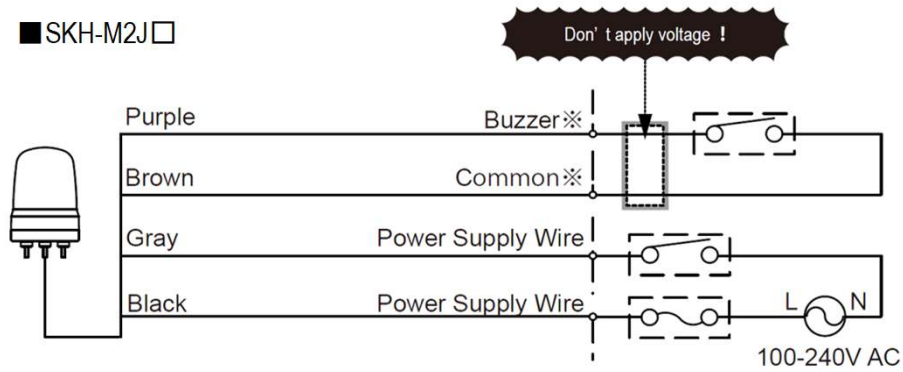
■ SKH-M1J □



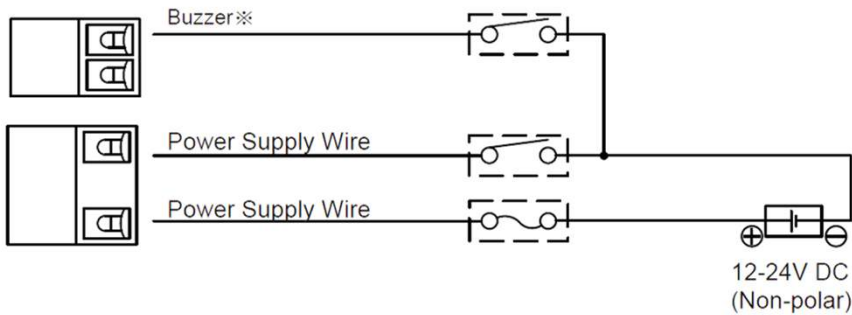
Symbol



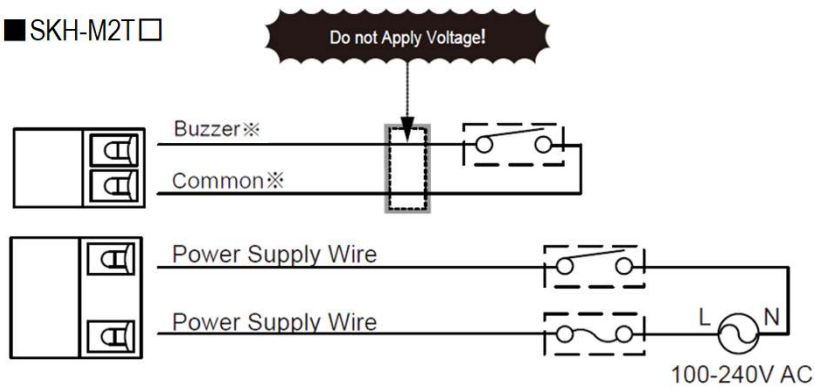
■ SKH-M2J □



■ SKH-M1T □



■ SKH-M2T □



※For No Buzzer Model,
do not require wiring.