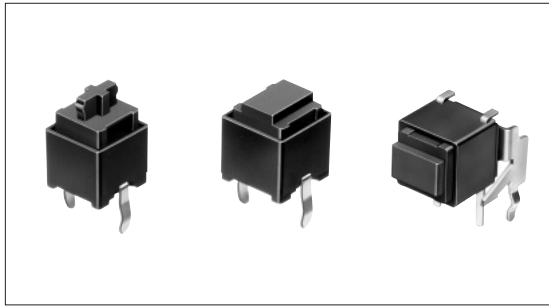


TACT Switch™ 6mm Square (Snap-in Type)

SKEG Series



Soft feeling available with joint-stem & horizontal push.



Product Line

Vertical Type

Product No.	Operating force	Operating direction	Travel (mm)	Rating (max.)	Rating (min.)	Operating life (5mA 5V DC)	Initial contact resistance	Stem color	Variety	Minimum order unit (pcs.)	Drawing No.
SKEGACA010	0.78N	Vertical	1	5mA 12V DC	10μA 1V DC	100,000 cycles	1kΩ max.	Ivory	Joint stem	1,000	1
SKEGAEA010	1.96N							Dark gray			
SKEGADA010	0.78N							Ivory	Flat stem		
SKEGAFA010	1.96N							Dark gray			

Horizontal Type

Product No.	Operating force	Operating direction	Travel (mm)	Rating (max.)	Rating (min.)	Operating life (5mA 5V DC)	Initial contact resistance	Stem color	Minimum order unit (pcs.)	Drawing No.
SKEGLAA010	0.78N	Horizontal	1	5mA 12V DC	10μA 1V DC	50,000 cycles	1kΩ max.	Black	1,000	3
SKEGLBA010	1.96N							Dark gray		

Packing Specifications

Bulk

Number of packages (pcs.)		Export package measurements (mm)
1 case /Japan	1 case /export packing	
10,000	30,000	309×476×347

Dimensions

Unit:mm

No.	Photo	Style	PC board mounting hole dimensions (Viewed from switch mounting face)
1			

Notes

1. Please place purchase orders per minimum order unit N (integer).

Refer to P.328 for soldering conditions.
Refer to P.330 for standard konbs.

Detector

Push

Slide

Rotary

Encoders

Power

Dual-in-line
Package Type

TACT Switch™

Custom-
Products

Sharp
Feeling

Soft
Feeling

Snap-in
Type

Surface
Mount Type


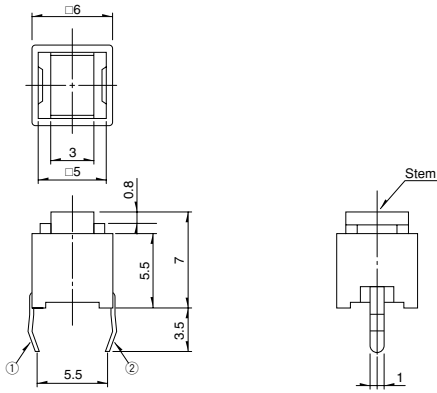
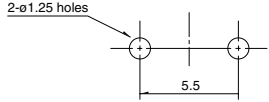

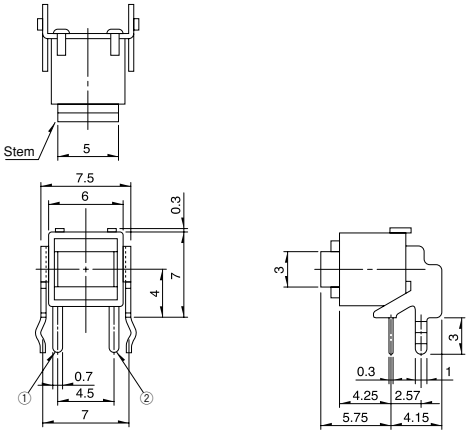
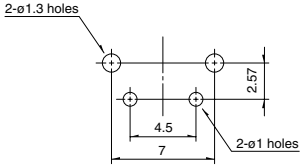
Radial
Type



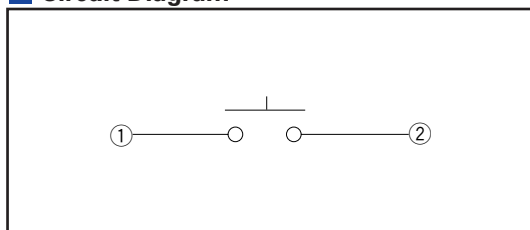
Automotive
Use

■ Dimensions

Unit:mm

No.	Photo	Style	PC board mounting hole dimensions (Viewed from switch mounting face)
2			
3			

■ Circuit Diagram



■ Note

1. Please use 1.6mm thick PC boards.
(For horizontal type, 1.0mm)
2. Please place purchase orders per minimum order unit N (integer).









Detector
Push
Slide
Rotary
Encoders
Power
Dual-in-line
Package Type
TACT Switch™
Custom-
Products

Sharp
Feeling
Soft
Feeling
Snap-in
Type
Surface
Mount Type
Radial
Type



List of Varieties

Soft Feeling Type

Series		SKEG	SKEG	SKEY	SKPF	SKPM	SKPG	SKPL	SKPD
Photo									
Type		Snap-in				Surface mount		Radial	
Features		—	Horizontal type	—	High operation force travel	Low contact resistance	—	Round terminal and low contact resistance	—
Operating direction	Vertical	●	—	●	●	●	●	●	●
	Horizontal	—	●	—					
Dimensions (mm)	W	□6	7.5	□7.8	8	5.9	6.6	φ6.45	□7.8
	D		9.9		9	6	6.3		
	H	7	7.3	5	10	5	5		
Contact		Carbon				Silver	Carbon	Silver	Carbon
Operation force coverage		1N	↕	↕	↕	↕	↕	↕	↕
		5N			↕	↕	↕	↕	↕
Ground terminal		—							
Operating temperature range		-20°C to +70°C		-40°C to +90°C					
Electrical performance	Insulation resistance	100MΩ min. 100V DC SKEY/PD : 50MΩ min. 100V DC							
	Voltage proof	250V AC for 1min. SKEY/PD : 100V AC for 1min.							
Durability	Vibration	10 to 55 to 10Hz/min., the amplitude is 1.5mm for all the frequencies, in the 3 direction of X, Y and Z for 2hours respectively							
	Lifetime	Shall be in accordance with individual specifications.							
Environmental performance	Cold	-30±2°C for 96h							
	Dry heat	80±2°C for 96h							
	Damp heat	60±2°C, 90 to 95%RH for 96h							
Page		320		322	323	324	325	326	327

W : Width. The most outer dimension excluding terminal portion.
 D : Depth. The most outer dimension excluding terminal portion.
 H : Height. The minimum dimension if there are variances.

- TACT Switch™ Soldering Conditions328
- TACT Switch™ Cautions329
- Product Line of Knob for TACT Switch™330

Detector
 Push
 Slide
 Rotary
 Encoders
 Power
 Dual-in-line Package Type
 TACT Switch™
 Custom-Products

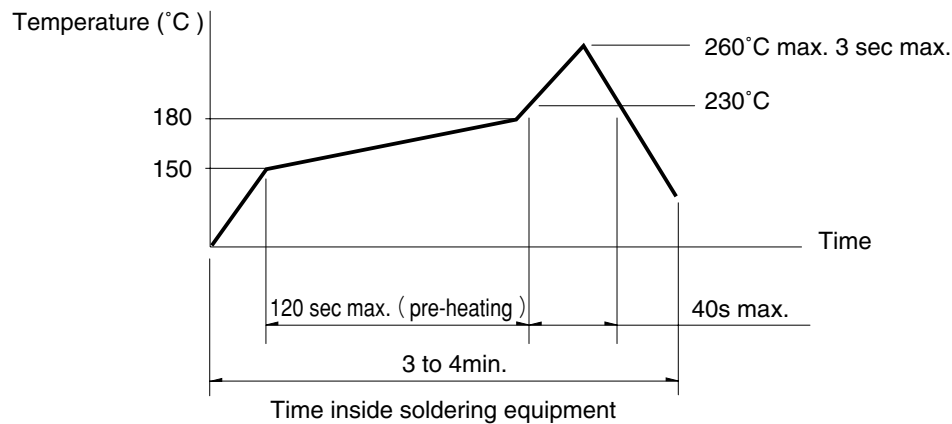
Sharp Feeling
 Soft Feeling
 Snap-in Type
 Surface Mount Type
 Radial Type

Soldering Conditions

Condition for Reflow

Available for Surface Mount Type.

1. Heating method: Double heating method with infrared heater.
2. Temperature measurement: Thermocouple 0.1 to 0.2 ϕ CA (K) or CC (T) at solder joints (copper foil surface). A heat resistive tape should be used to fix thermocouple.
3. Temperature profile



Notes

1. The above temperature shall be measured of the top of switch. There are cases where the PC board's temperature greatly differs from that of the switch, depending on the material, size, thickness of PC boards and others. The above-stated conditions shall also apply to switch surface temperatures.
2. Soldering conditions differ depending on reflow soldering machines. Prior verification of soldering condition is highly recommended.

Conditions for Auto-dip

Available for Snap-in Type and Radial Type
(Except SKHJ, SKHL, SKQJ, SKQK, SKEG series)

Items	Condition
Flux built-up	Mounting surface should not be exposed to flux
Preheating temperature	Ambient temperature of the soldered surface of PC board. 100°C max.
Preheating time	60s max.
Soldering temperature	260°C max.
Duration of immersion	5s max.
Number of soldering	2times max.

Notes

1. Consult with us for availability of TACT Switch™ washing.
2. Prevent flux penetration from the top side of the TACT Switch™.
3. Switch terminals and a PC board should not be coated with flux prior to soldering.
4. The second soldering should be done after the switch is stable with normal temperature.
5. Use the flux with a specific gravity of min 0.81.
(EC-19S-8 by TAMURA Corporation, or equivalents.)

Manual Soldering (Except SKRT Series)

Items	Condition
Soldering temperature	350°C max.
Duration of soldering	3s max.
Capacity of soldering iron	60W max.

Detector

Push

Slide

Rotary

Encoders

Power


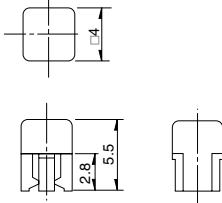

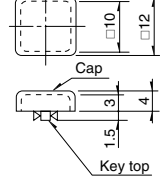


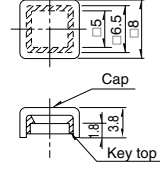
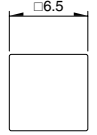

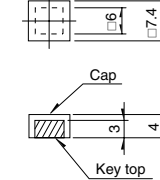
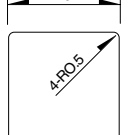
Dual-in-line
Package Type

TACT Switch™

Custom-
ProductsSharp
FeelingSoft
FeelingSnap-in
TypeSurface
Mount TypeRadial
Type

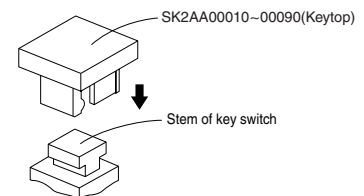
Product Line of Knobs

Unit:mm

Applicable model	Dimensions		Variety		Label dimensions (Unit:mm)	
			Color	Model		
SKHH Applicable to joint stem type			Keytop			
			Red Blue Ivory Black Yellow	SK2AA00410 SK2AA00420 SK2AA00430 SK2AA00440 SK2AA00450		
SKHC SKQE Applicable to joint stem type			Cap			
			Clear	SK2AA00510		
			Keytop		Keytop + Cap	
			Red Blue Ivory Black	SK2AA00010 SK2AA00020 SK2AA00030 SK2AA00040	SK2AA00060 SK2AA00070 SK2AA00080 SK2AA00090	Thickness 0.1
SKHJ			Cap			
			Clear	SK2AA00520		
			Keytop		Keytop + Cap	
			Red Blue Ivory Black Yellow	SK2AA00210 SK2AA00220 SK2AA00230 SK2AA00240 SK2AA00250	SK2AA00260 SK2AA00270 SK2AA00280 SK2AA00290 SK2AA00300	Thickness 0.1
SKEG Applicable to joint stem type			Cap			
			Clear	SK2AA00540		
			Keytop		Keytop + Cap	
			Red Blue Ivory Black Yellow	SK2AA00310 SK2AA00320 SK2AA00330 SK2AA00340 SK2AA00350	SK2AA00360 SK2AA00370 SK2AA00380 SK2AA00390 SK2AA00400	Thickness 0.1

Notes

1. The knob will be delivered together with the switch but packed separately.
2. The label is not included.
3. For SK2AA00010 to SK2AA00090 types, please check the mounting direction.



- Detector
- Push
- Slide
- Rotary
- Encoders
- Power
- Dual-in-line Package Type
- TACT Switch™
- Custom-Products
- Sharp Feeling
- Soft Feeling
- Snap-in Type
- Surface Mount Type
- Radial Type