

S-Series Pushbutton Switches

Series S Pushbutton switches are designed for snap-in panel mounting.

Approvals 

UL recognized, CSA certified, VDE approved. Load rating: 10A 125/250 VAC, 1/4 HP, 125 VAC; 10A 14VDC. Contacts: fine silver, double break. Circuits: single-pole and double-pole. Dielectric strength: 2000 VAC RMS. Life: 25,000 operations at maximum rating.

Low Level Control

For low level/dry circuit applications (<100 ma) contact factory for part number.

Terminals/Contacts

1/4" quick-connect, 3/16" quick-connect and solder lug for #12 wire. Fine silver contacts (gold plating available).

Mechanical Features

Positive mechanical indication of switch contact position. 100,000 mechanical operations.

Lamps

Integral with switch; internally connected per diagram. 6, 12 and 28 volt incandescent lamps standard. 125 and 250 volt neon lamps standard.

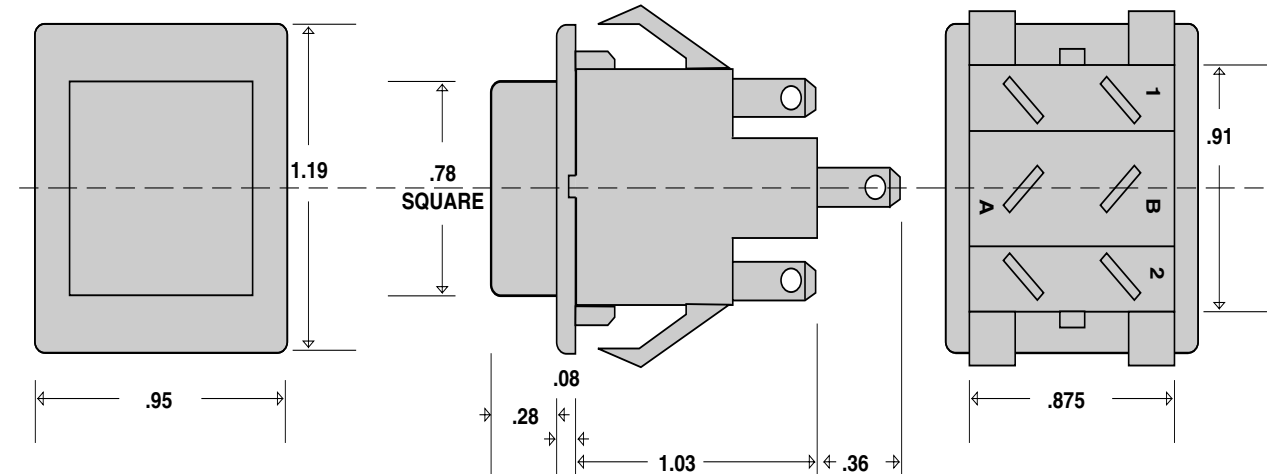
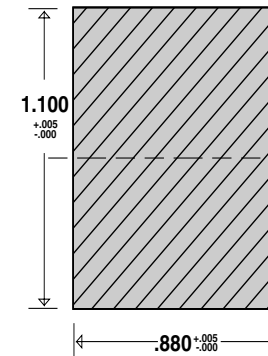
Special Lamps

Green neon 125 and 250 volt lamps. LED 6 and 12 volt. Consult factory for special requirements.

Markings

Letters, numbers and symbols can be engraved, hot-stamped or pad printed on lens cap; mylar inserts are also available. See back cover gatefold for details.

Circuit	Switching	Circuit Diagram (Lighted)	Circuit Diagram (Non-Lighted)
1	Single-Pole Single-Throw Normally Open		
2	Single-pole Single-throw Normally Closed		
3	Double-Pole Single-Throw Normally Open		
4	Double-pole Single-throw Normally Closed		
5	Double-Pole Circuit #1 Normally Open Circuit #2 Normally Closed		
6	Single-Pole Single-Throw Normally Open		N/A
7	Double-Pole Single-Throw Normally Open		N/A
G	Indicator Light Only		N/A



Ordering Information:

S	□	□	□	□	□	□	□	□	□
	Lighting	Action	Circuit	Terminal	Lamp or LED Voltage*	Cap Style	Lens Cap Color	Housing Color	Accessories (Optional)
	L=Lighted P=Non-Lighted G=Indicator Light	M=Momentary A=Alternating T= Indicator Light Short Stroke Available****	1=SPST, Normally Open 2=SPST, Normally Closed 3=DPST, Normally Open 4=DPST, Normally Closed 5=DPST, Normally 1 Circuit Open, 1 Closed 6*=SPST, Normally Open 7*=DPST, Normally Open G=Indicator Light	A=1/4" Quick Connect B=3/16" Quick Connect C=Solder Connect	6V=6 Volt Incandescent 12V=12 Volt Incandescent 28V=28 Volt Incandescent 125V= 125 Volt Neon 250V=250 Volt Neon 125VG=125 Volt Green Neon 250VG=250 Volt Green Neon 6VR=6 Volt Red LED 6VG=6 Volt Green LED 12VR=12 Volt Red LED 12VG=12 Volt Green LED	D**=Beveled Blank=Square Edged	TRANSPARENT COLORS 1=Red 2=Clear 3=Amber 4=Green*** 5=Blue*** OPAQUE COLORS 7=White 9=Black 11=Green 12=Red	Matte Finish M9=Black (For other colors contact factory)	B=Protective Barrier T=Boot CD=Clear Diffuser

* Lighted models only
 ** Available only with transparent colors.
 ***Green & Blue lenses require non-standard neon lamps for units with neon lamps.
 ****Momentary, normally open circuits only. Consult Factory.



Phone (203) 272-2794 ● Fax (203) 272-3492 ● <http://www.osloswitch.com>

MADE IN U.S.A.



Phone (203) 272-2794 ● Fax (203) 272-3492 ● <http://www.osloswitch.com>

MADE IN U.S.A.