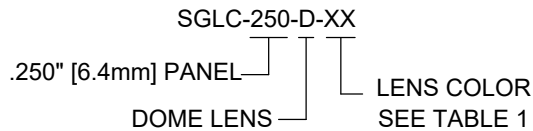


NOTES:

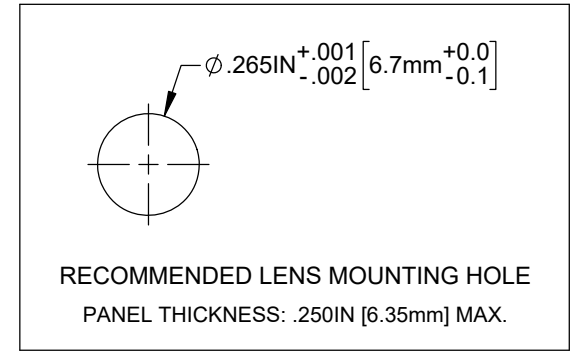
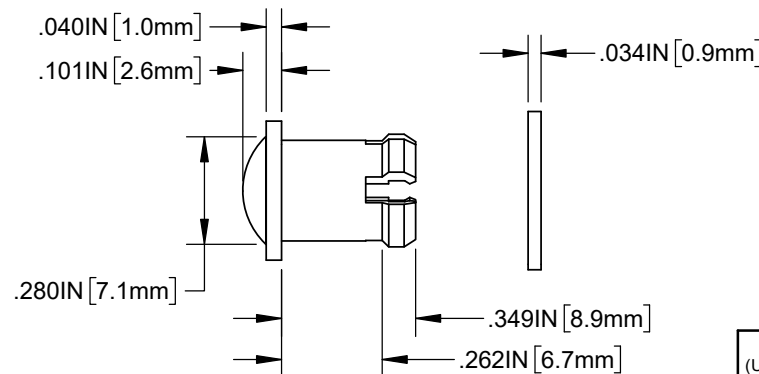
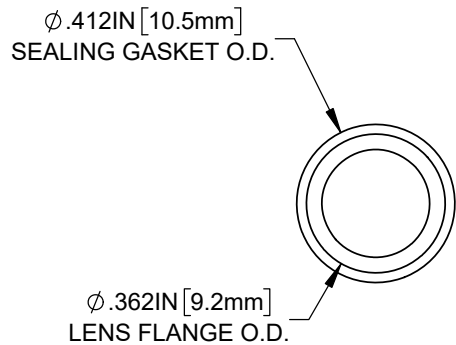
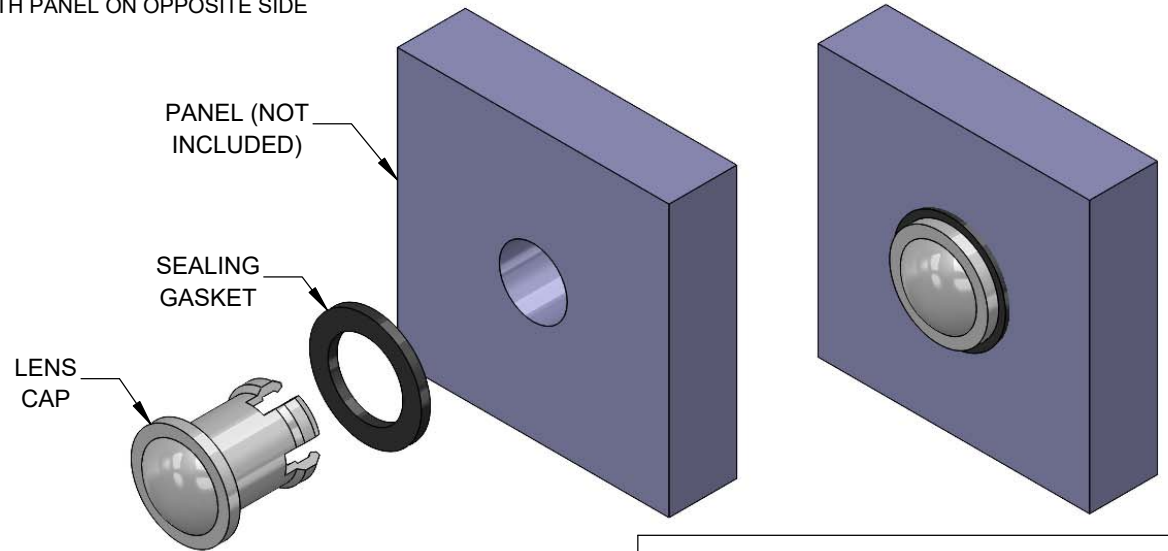
- COMPONENTS SHIPPED UNASSEMBLED.
- MATERIAL: POLYCARBONATE LENS & IP RATED POLYURETHANE SEALING GASKET WITH ADHESIVE.
- ASSEMBLY INSTRUCTIONS FOR IP68 RATING
  - CLEAN PANEL SURFACE WITH ALCOHOL
  - PEEL LINER TAPE OFF OF THE TOP OF THE SEALING GASKET AND KEEP ON PLASTIC SHEET
  - APPLY SEALING GASKET TO PANEL HOLE AS CENTERED AS POSSIBLE AND PEEL PLASTIC SHEET SLOWLY AWAY
  - INSERT LENS CAP INTO PANEL UNTIL LENS TABS ENGAGE WITH PANEL ON OPPOSITE SIDE

REVISIONS			
REV.	DESCRIPTION	DATE	APPROVED
A	ENGINEERING RELEASE	3/1/2021	A.V.

PART NUMBER CONFIGURATION

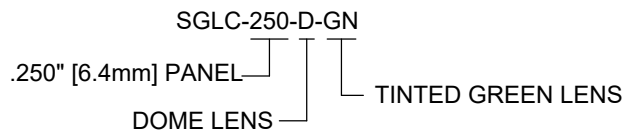


ORDER CODE (BLANK)	LENS APPEARANCE
BE	TINTED BLUE
GN	TINTED GREEN
RD	TINTED RED
YW	TINTED YELLOW



**CUSTOMER USE DRAWING**

SAMPLE PART NUMBER



STANDARD TOLERANCE (UNLESS OTHERWISE SPECIFIED)		 4 THOMAS, IRVINE, CA. 92618 TEL: (949) 951-8808 FAX: (949) 951-3974	
DECIMALS	ANGULAR		
.X ± .1	X° ± 1°	TITLE: IP68 LENS CAP	
.XX ± .01		DESIGNED: K. BARON	DATE: 3/1/2021
.XXX ± .005		REVISION: N/A	DATE: 3/1/2021
		DRAWING NO: SGLC-250-D-XX	REVISION: A
		SHEET SIZE A	CAGE CODE: 32559
		SCALE: 2:1	SHEET # 1 OF 2
CHECKED: A. VALDEZ		CAD GENERATED DOCUMENT, DO NOT MEASURE DRAWING	

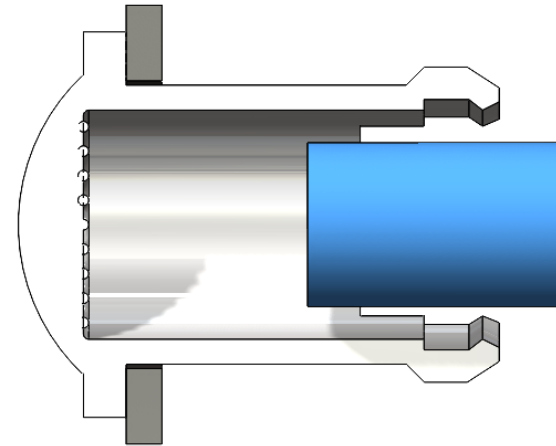
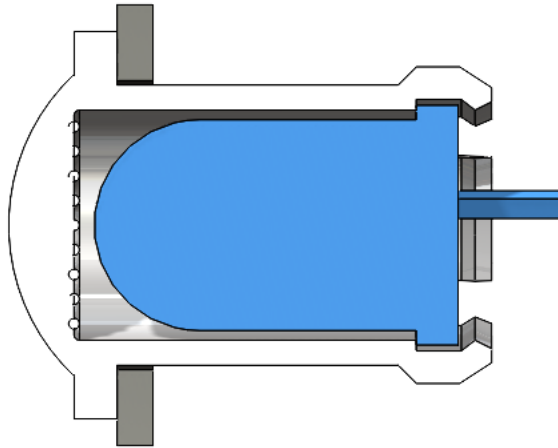
FOR OPTIMAL LIGHT DISTRIBUTION FOLLOW PRODUCT PLACEMENT INSTRUCTIONS LISTED BELOW:

PRODUCTS INSERTED COMPLETELY INSIDE LENS CAP:

- \* LPR5 LIGHT PIPE SERIES
- \* 5mm DISCRETE LEDs

PRODUCTS RECESSED 0.2" FROM INSIDE SURFACE:

- \* 1.8mm DISCRETE LEDs
- \* 3mm DISCRETE LEDs
- \* LPR4 LIGHT PIPE SERIES
- \* LPV4 LIGHT PIPE SERIES
- \* VLP LIGHT PIPE SERIES
- \* SLP3 LIGHT PIPE SERIES
- \* RLP1 LIGHT PIPE SERIES



**CUSTOMER USE DRAWING**

		<b>BIVAR</b> <sup>®</sup>		REVISION:
CAGE CODE:	<b>32559</b>	DRAWING NO:	SGLC-250-D-XX	<b>A</b>
SHEET SIZE:	<b>A</b>	SCALE:	2:1	<b>SHEET # 2 OF 2</b>
CAD GENERATED DOCUMENT, DO NOT MEASURE DRAWING				