



Audio/Video Connectors, S-Video F/F Coupler

Seamless Hubbell System Integration.

Universal Keystone Design fits in all Hubbell Products.

High Quality Video Signal.

Feed-Through Coupler.

Plug-n-Play style termination.



Delivers high-quality S-Video signals.

High-impact, flame-retardant polymer.

SPECIFICATIONS

- ◆ **Connector:**
 - Body: Brass
 - Plating: Nickel 100µ"
 - Pin: Brass-Nickel Plated
- ◆ **Performance:**
 - Mating Cycles: 500+
- ◆ **Impedance:**
 - S-Video female connector: 75 Ohms.
- ◆ **Material:**
 - Housing: Flame Retardant Polymer (UL 94V-0)
- ◆ **Signal Transmitted:**
 - Luminance signal (Y)
 - Chrominance signal (C)

Hubbell's S-Video couplers deliver high quality video to any work station or transmitting/receiving device. The S-Video coupler utilize standard 4-pin DIN connectors, either pre-terminated as a patch cord or field attachable customized in the field.

Requiring no soldering, these connectors install with a snap into any **iSTATION™** product, module, frame, surface housing, Hubbell Delivery System products including poke throughs and surface raceway, or **iSTATION™** UDX multimedia panels to distribute video signals.

Create a customized multimedia workstation by adding a S-Video connector along with Hubbell's extensive line of AV connectors, loaded modules and **XCELERATOR™** jacks.

CABLE TERMINATION

- Cable Type:**
- S-Video - Male S-Video Plug (Patch Cord).

APPLICATIONS SUPPORTED

- **Video Distribution:**
 - TV, cable, satellite.
 - DVD players, game consoles, graphics cards.
 - Cameras, camcorders, projectors.
 - Home theater and entertainment systems.

CONNECTOR TERM

S-Video or Y/C - is designed to transmit video information by dividing the signal into two separate signals, (Chrominance) for color, and (Luminance) for brightness. This process increases clarity and sharpness. By separating the two signals it prevents the signal from color bleeding and/or dot crawling.

Chrominance "C", this is the color portion of a video signal carrying the saturation and tint (hue).

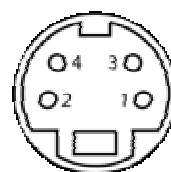
Luminance "Y", this is the black and white portion of a video signal, which carries the information for brightness, darkness (ranging from pure black to pure white) and contrast.

INSTALLATION TIPS

Termination: The S-Video coupler utilize standard 4-Pin DIN connectors, either pre-terminated as a patch cord or field attachable connector customized in the field.

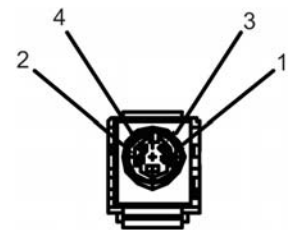
Important: Always allow for clearance behind connection location to ensure for proper bend radius.

CONNECTOR SPECIFICATIONS



Front nose view

Pin	Name	Description
1	GND	Ground Y
2	GND	Ground C
3	Y	Intensity (Luminance)
4	C	Color (Chrominance)



Front view



AV Connector, S-Video F/F Coupler

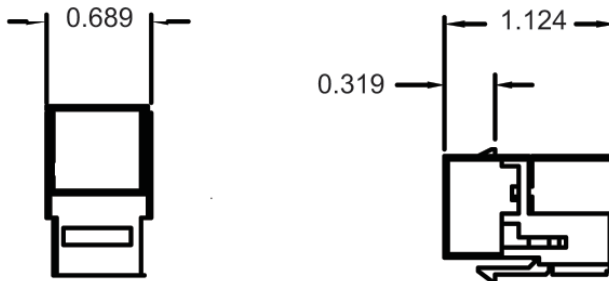
Sold in carton increments only. Carton contains - keystone connectors (individually bagged).



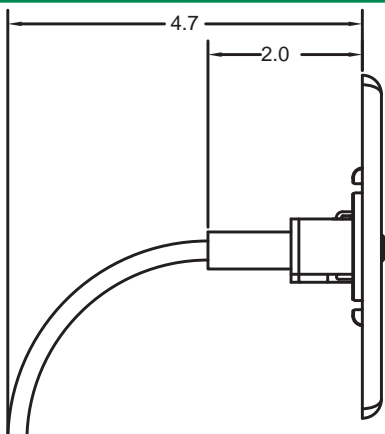
S-Video F/F Coupler

Color Catalog No.
Black **SFSVBK**

DIMENSIONS



CONNECTOR DEPTH CHART



iSTATION™ COMPATIBLE

Workstation and Cross-Connect Solutions

- Front and Rear-loading Plates
- Duplex and Decorator Frames
- ISM Surface Mount Boxes
- UDX Multimedia Panels (except 1U-48)
- netSELECT™: Residential Network Solution
- iFRAME™ Vertical Patch Panel

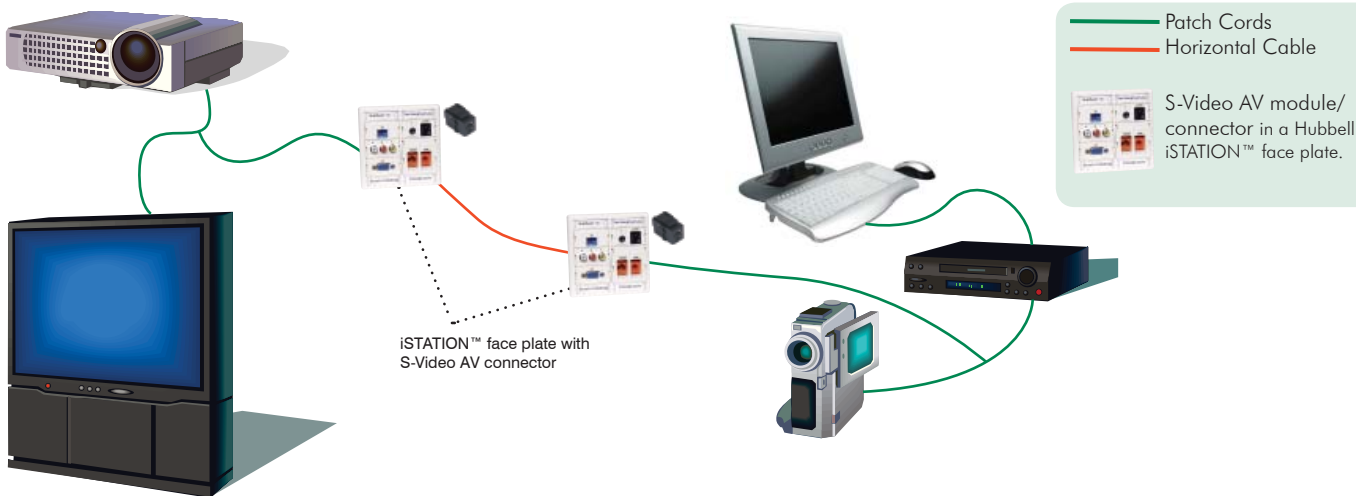


Hubbell Delivery System

- Hubbell SystemOne Poke-Throughs and Floor Boxes
- Hubbell Surface Raceway, Metal and Non-Metallic
- Multi-Connect™ Wall Boxes/Conference Table Boxes
- Power Poles



TYPICAL APPLICATIONS



— Patch Cords
— Horizontal Cable

S-Video AV module/connector in a Hubbell iSTATION™ face plate.



Hubbell Premise Wiring

HUBBELL INCORPORATED (Delaware)
14 Lord's Hill Road • Stonington, CT 06378-0901 • (860) 535-8326 • 800-626-0005
Fax: (860) 535-8328 • Internet site: <http://www.hubbell-premise.com>

Worldwide Locations

Hubbell Premise Wiring, Asia Pacific
Hubbell Canada Inc.
Hubbell Premise Wiring, Central America
Hubbell Premise Wiring, China
Hubbell Premise Wiring, Europe
Hubbell Premise Wiring, India
Hubbell Int'l. Inc., Korea Branch

852-2836-7131
905-839-1138
506-309-4158
86-21-6374 2660
44-01283 500500
91-80-4022-4089
(82 2) 2607 1363

Fax: 852-2836-7132
Fax: 905-839-9108
Fax: 506-260-1616
Fax: 86-21-6374 2799
Fax: 44-01283 500400
Fax: 91-80-4022-4033
Fax: (82 2) 2603 7386

Hubbell Premise Wiring, Latin America
Hubbell de Mexico, S.A. de C.V.
Hubbell Premise Wiring, Middle East
Hubbell Premise Wiring, Puerto Rico
Hubbell-Taian Co., Ltd., Taiwan
Hubbell Premise Wiring, Venezuela

305-408-4501
(5255) 9151-9999
971-4-393-4192
787-855-1075
886-2-2522-1862
58-212-5156482

Fax: 305-408-8201
Fax: (5255) 9151-9989
Fax: 971-4-393-4194
Fax: 787-855-3265
Fax: 886-2-2522-1872
Fax: 58-212-6627258