

NEW

SFS Series Mid-Travel, Soft Actuation Tact Switch

Features/Benefits

- Construction with standard dimension 12x12 mm overall size
- Gold plating contacts
- SMT termination design
- Unique click & a sealed contact system
- 360 gf, 680 gf & 970 gf versions

Typical Applications

- Measurement-control-regulation
- Monitoring system
- Automotive (steering wheel, mid-console, window lifter)
- Navigation
- Disposable medical devices
- Patient monitoring
- Scan system



Specification

FUNCTION: Momentary action

CONTACT ARRANGEMENT: 1 make contact = SPST NO

TERMINALS: Gold plating, G type for SMT and THT for manual soldering

TRAVEL:

OPERATING FORCE	TRAVEL
360 ± 70 gf	0.6 ± 0.2 mm
680 ± 160 gf	0.7 ± 0.2 mm
970 ± 250 gf	0.8 ± 0.2 mm

Mechanical

Operating life with load	300,000 cycles
Operating life without load	1,000,000 cycles

Electrical

MAXIMUM VOLTAGE: 35 VDC

MAXIMUM CURRENT DC: 100 mA

MAXIMUM POWER DC: 1W

CONTACT RESISTANCE: 100 mΩ

INSULATION RESISTANCE: 1000 MΩ min.

DIELECTRIC VOLTAGE: < 0.5 mA

Environmental

OPERATING TEMPERATURE: -40°C to +90°C

STORAGE TEMPERATURE: -40°C to +80°C

Process

SOLDERING: This component is suited to the following methods:
Infrared Reflow Soldering in accordance with IEC61760-1

Packaging

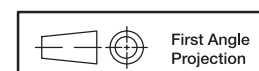
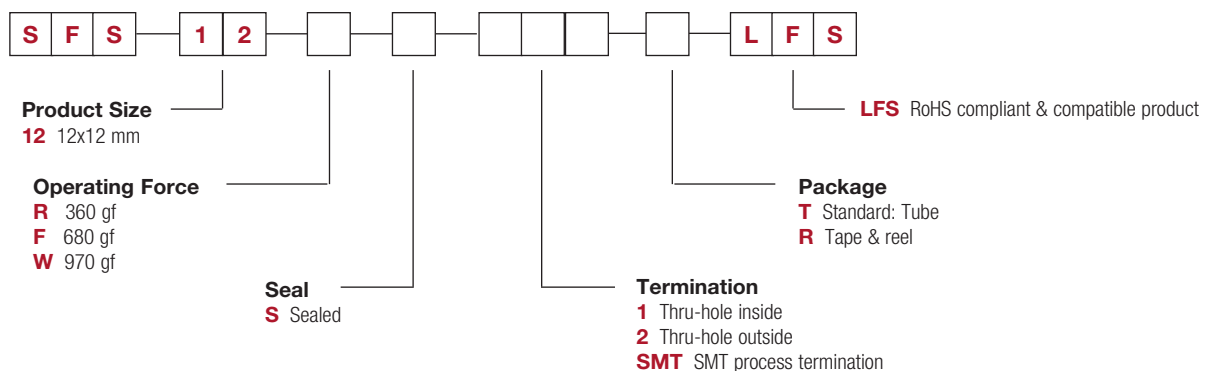
700 pieces per reel

58 pieces per tube

How To Order

Our easy build-a-switch concept allows you to mix and match options to create the switch you need. To order, select desired option from each category and place it in the appropriate box.

For any part number different from those listed above, please consult your local representative.

First Angle
Projection

Dimensions are shown: mm

Specifications and dimensions subject to change

C&K

22 Oct 20

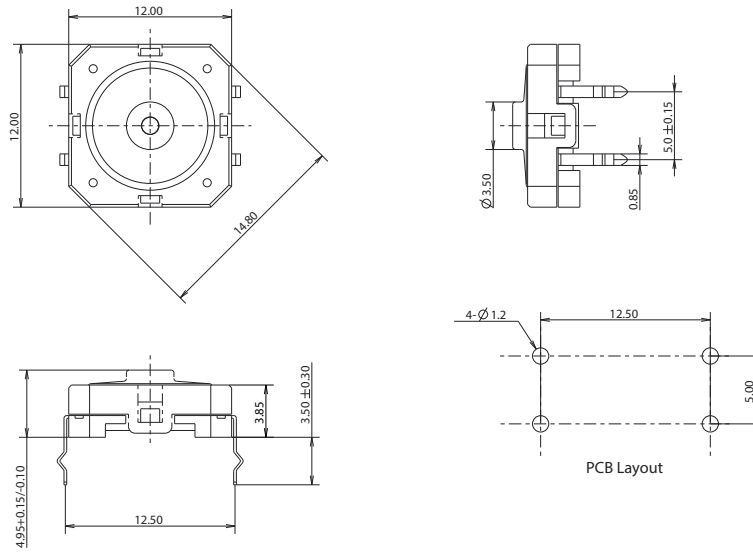
B-160

www.ckswitches.com

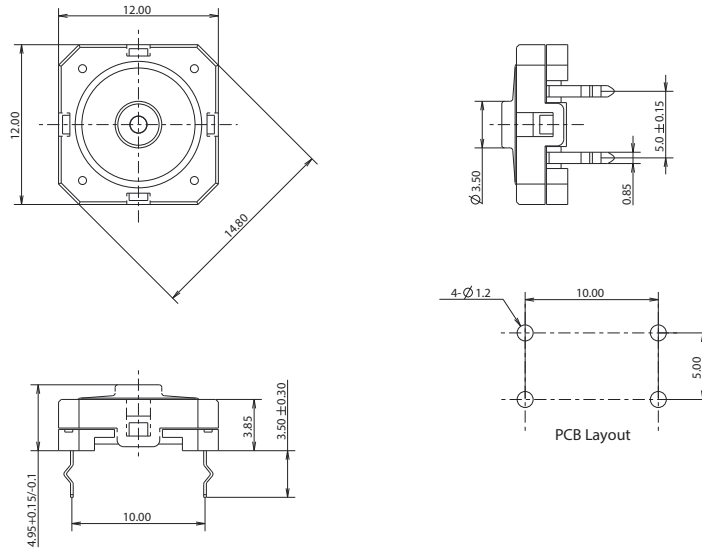
SFS Series Mid-Travel, Soft Actuation Tact Switch

NEW

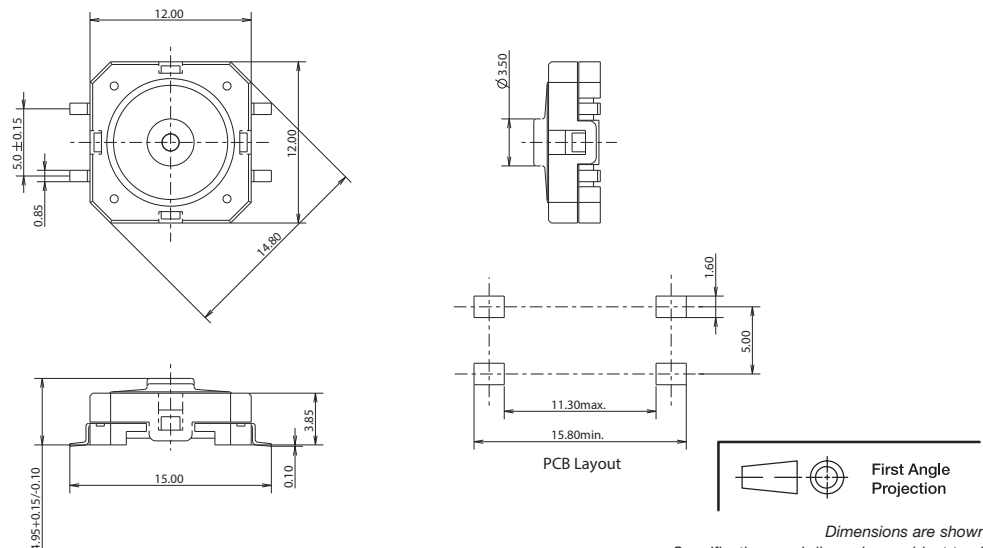
SFS12XS2T LFS



SFS12XS1T LFS



SFS12XSSMTX LFS



B

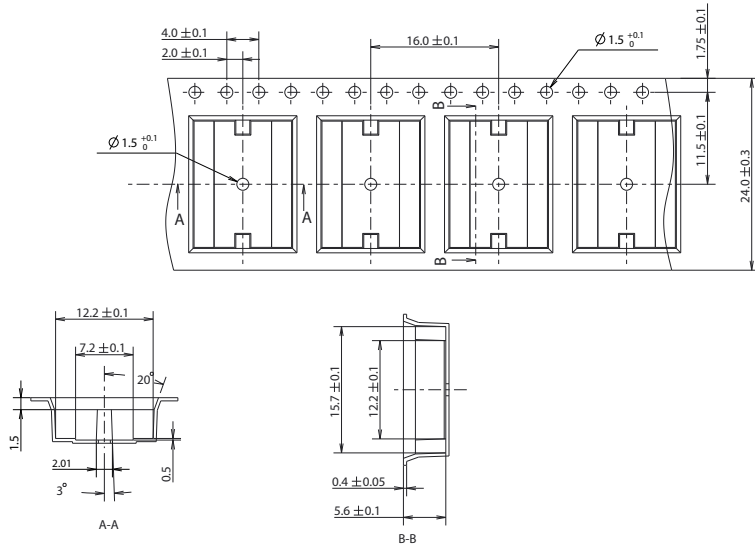
Tactile Switches

SFS Series Mid-Travel, Soft Actuation Tact Switch

NEW

Tactile Switches

B



First Angle
Projection



22 Oct 20

B-162

Dimensions are shown: mm
Specifications and dimensions subject to change

www.ckswitches.com