



ScrubShield™ 2x2 Fire-rated Poke Through

Exceeds UL Scrub-water Exclusion Requirements

Field Configurable Data Ports

20-Amp, 125 Volt Power Receptacle

ANSI/TIA/EIA-569-B*

ScrubShield Gasket Technology

- Scrub-water exclusion
- Ingress of dirt and debris

Robust Hinged Flip Covers

- Maximum durability

3" Cored Hole

Junction Box

- Eight 3/4" knockouts



SPECIFICATIONS

- ◆ Scrub-Water Exceeds UL 514A (metallic) and UL 514C (non-metallic) testing standards
- ◆ Connectivity Accepts Xcelerator series Cat 6 and 5e jacks and Snap Fit multimedia connectors
- ◆ Fire Rating Unprotected Reinforced Concrete Floors 1, 1-1/2, 2, 3 or 4 hour rated
Steel unit with concrete top floors 1, 2, or 3 4 hour rated
- ◆ Floor Thickness 2 1/4" (over metal deck) to 7"
- ◆ UL Installation Min of 2' on centers (not more spacing than one unit per 65 sq. ft. of floor area in each span)
- ◆ Cored Hole 3" diameter
- ◆ Receptacle NEMA 5-20R, 20A 125V
- ◆ Power #14 AWG THHN stranded copper
Conductors

Hubbell's 2x2 fire-rated poke through devices deliver power and communication connections to the workstation in an open open space above-grade floor environment.

Designed with a strong, hinged flip cover, the 2x2 series devices exceed the UL scrub-water exclusion requirements by the use of the new ScrubShield™ gasket technology. Power and data openings are protected from scrub-water as well as ingress of dirt and debris.

The 2x2 fire-rated poke through is available with one 20-Amp, 125 Volt StyleLine® duplex or Isolated Ground receptacle. The units come standard with two Hubbell Category 5e jacks. The device offers superior capacity in a 3" cored hole and is ideal for both new and retro fit construction in tile and carpet applications.

APPLICATIONS

- ▲ Office buildings
- ▲ Schools
- ▲ Convention centers
- ▲ Airports
- ▲ Malls
- ▲ Libraries

* Pending release Q4-2003

ORDERING INFORMATION

One-Piece Unit - Complete unit for use when cable is terminated immediately after it's pulled.

ScrubShield™ 2x2 Fire-rated Poke Through, 20A/125V

- Delivery: 1 - 2x2 Through-floor fitting
 1 - Service fitting: 1 cover and 1 flange
 2 - Cat 5e black Xcelerator jacks (HXJ5EBK)
 2 - 20-Amp receptacles

Color	Catalog No.
Black	PT2X2BLHPW
Gray	PT2X2GYHPW
Ivory	PT2X2IHPW

Two-Piece Unit - For use when cable is pulled before floor is finished and cable can be terminated.

2x2 Through-Floor Fitting

- Delivery: 1 - 2x2 Through-floor fitting
 1 - Duplex receptacle (Cat. No. BL2162BK)

Color	Catalog No.
N/A	PT2X2FITHPW

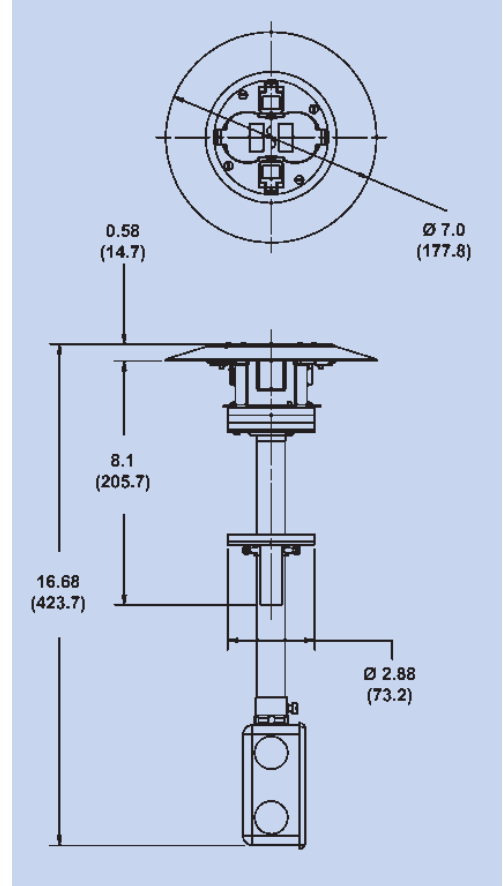
Service Fitting

- Delivery: 1 - Cover
 1 - Flange

Color	Catalog No.
Black	PT2X2SFBLHPW
Brass/black	PT2X2SFBR53HPW
Gray	PT2X2SFGYHPW



DIMENSIONS



ACCESSORIES



Xcelerator™ Jacks

Color	Catalog Numbers			
	Cat 6	Cat 5e	Cat 3	USOC
Black	HXJ6BK	HXJ5EBK	HXJ3BK	HXJUBK
Blue	HXJ6B	HXJ5EB	HXJ3B	HXJUB
Electric Ivory	HXJ6EI	HXJ5EEI	HXJ3EI	HXJUEI
Gray	HXJ6GY	HXJ5EGY	HXJ3GY	HXJUGY
Green	HXJ6GN	HXJ5EGN	HXJ3GN	HXJUGN
Orange	HXJ6OR	HXJ5EOR	HXJ3OR	HXJUOR
Office White	HXJ6OW	HXJ5EOW	HXJ3OW	HXJUOW
Red	HXJ6R	HXJ5ER	HXJ3R	HXJUR
Telco Ivory	HXJ6TI	HXJ5ETI	HXJ3TI	HXJUTI
White	HXJ6W	HXJ5EW	HXJ3W	HXJUW
Yellow	HXJ6Y	HXJ5EY	HXJ3Y	HXJUY



Snap Fit Connectors*

Color	Catalog Numbers		
	SC Simplex	LC Flush	Blank
Black	SFFSC	SFFLC	SFBB10
Gray	SFFSG	SFFLCG	SFBG10
Ivory	SFFSCI	SFFLCI	SFB10
White	SFFSW	SFFLCW	SFBW10

Body	Insulator	RCA, 110
Color	Color	Catalog No.
Black	Red	SFRCR110
Black	White	SFRCW110
Black	Yellow	SFRCY110

* Snap Fit connectors mount flush. The Service Fitting will accept other Snap Fit media connectors, however the connector will be raised above the opening.



Hubbell Premise Wiring

HUBBELL INCORPORATED (Delaware)
 14 Lord's Hill Road • Stonington, CT 06378-0901 • (860) 535-8326 • 800-626-0005
 Fax: (860) 535-8328 • Internet site: <http://www.hubbell-premise.com>

Worldwide Locations

Hubbell Premise Wiring, Asia Pacific	852-2836-7131	Fax: 852-2836-7132	Hubbell de Mexico, S.A. de C.V.	52-5-559-5304	Fax: 52-5-559-5885
Hubbell Canada Inc.	905-839-1138	Fax: 905-839-9108	Hubbell Premise Wiring, Middle East	971-4-393-4192	Fax: 971-4-393-4194
Hubbell Premise Wiring, China	86-21-63090119	Fax: 86-21-63090122	Hubbell Premise Wiring, Puerto Rico	787-720-7185	Fax: 787-789-2796
Hubbell Premise Wiring, Europe	44-(0)1234-848550	Fax: 44-(0)1234-856190	Hubbell-Taian Co., Ltd., Taiwan	886-2-(0)2515-0855	Fax: 886-2-(0)2515-0899
Hubbell Int'l. Inc., Korea Branch	82-2-(0)2607-1363	Fax: 82-2-(0)2603-7386	Hubbell Incorporated, Turkey	90-216-414-8147	Fax: 90-216-414-8148
Hubbell Premise Wiring, Latin America	305-251-4236	Fax: 305-251-4087	Hubbell Premise Wiring, Venezuela	58-16-6807453	Fax: 58-281-2820323