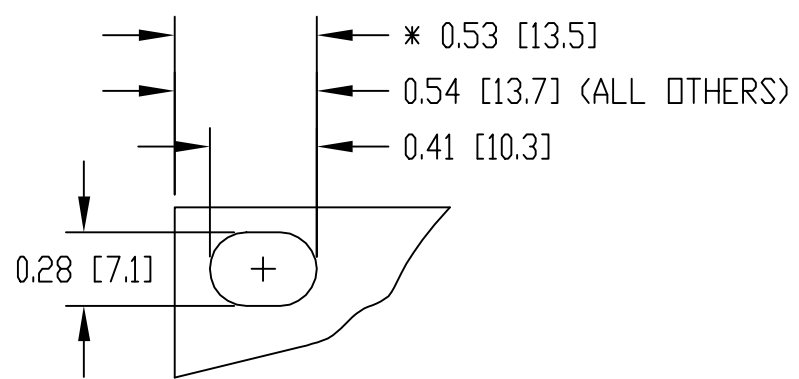


MATERIAL: 0.13 [3.2] THK. ALUMINUM
ONE SIDE TAPED
FINISH: NATURAL



NOTCH DETAIL

* - THIS DIMENSION APPLIES TO ONLY SFA-1831 & SFA-1832

| PART NO. | E.I.A. UNIT | TYPE | A | B | C |
|----------|-------------|------|---------------|--------------|--------------|
| SFA-1831 | 1U | A | 1.72 [43.6] | 1.250 | - |
| SFA-1832 | 2U | A | 3.47 [88.1] | 3.00 [76.2] | - |
| SFA-1833 | 3U | B | 5.22 [132.5] | 2.25 [57.2] | - |
| SFA-1834 | 4U | B | 6.97 [177.0] | 4.00 [101.6] | - |
| SFA-1835 | 5U | B | 8.72 [221.4] | 5.75 [146.1] | - |
| SFA-1836 | 6U | C | 10.47 [265.9] | 2.25 [57.2] | 3.00 [76.2] |
| SFA-1837 | 7U | C | 12.22 [310.3] | 3.50 [88.9] | 2.25 [57.2] |
| SFA-1838 | 8U | C | 13.97 [354.8] | 4.00 [101.6] | 3.00 [76.2] |
| SFA-1839 | 9U | C | 15.72 [399.2] | 4.00 [101.6] | 4.75 [120.7] |
| SFA-1840 | 10U | C | 17.47 [443.7] | 4.00 [101.6] | 6.50 [165.1] |
| SFA-1841 | 11U | C | 19.22 [488.1] | 5.25 [133.4] | 5.75 [146.1] |
| SFA-1842 | 12U | C | 20.97 [532.6] | 5.25 [133.4] | 7.50 [190.5] |