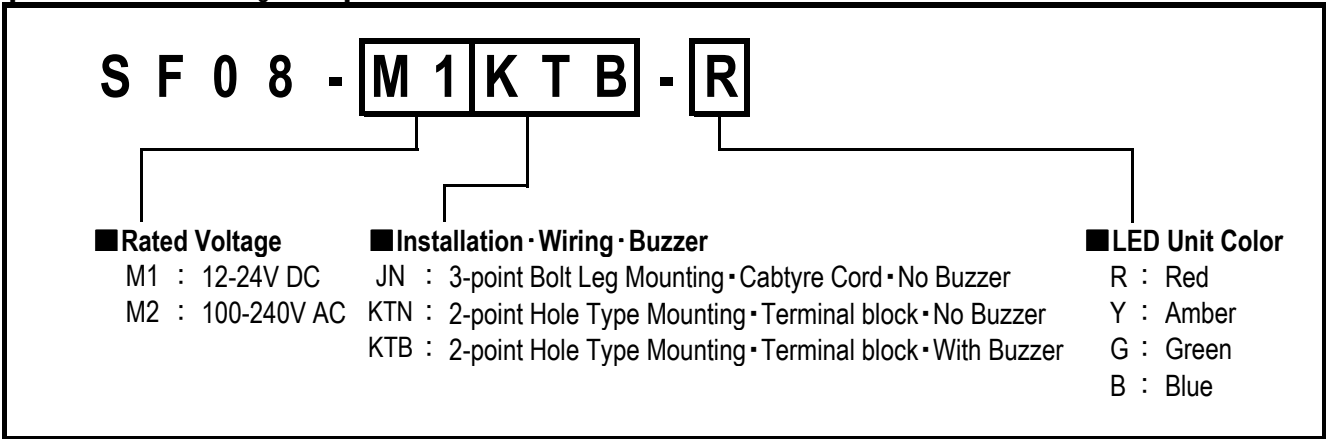


SPECIFICATIONS

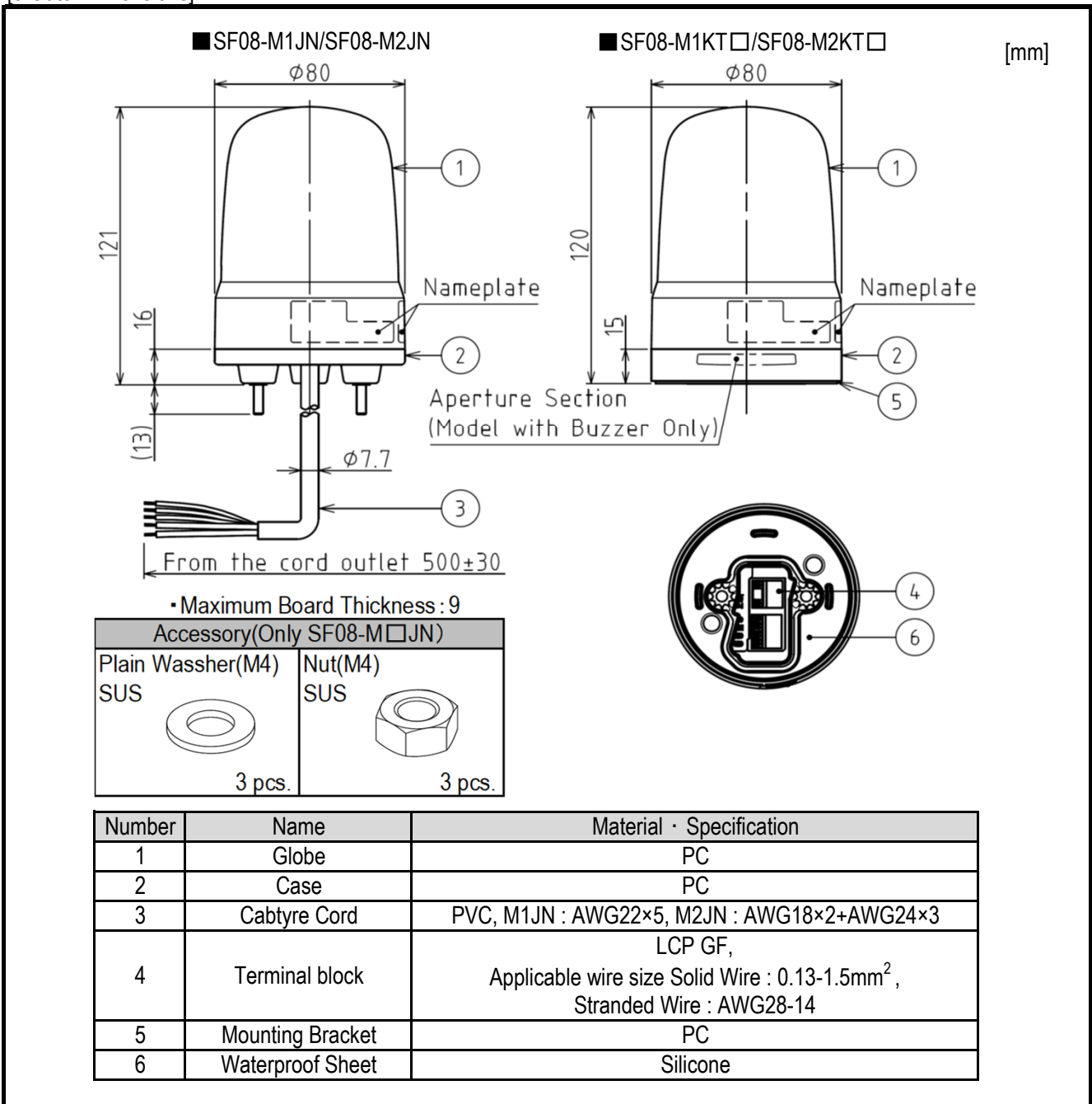
[1. General Specifications]

Product Name		Rotating Beacons					
Model		SF08-M1□□□-□		SF08-M2□□□-□			
Rated Voltage		12-24V DC		100-240V AC (50/60Hz)			
Operating Voltage Range		10-30V DC		90-250V AC			
Rated Current Consumption	Max.	12V DC	24V DC	100V AC	240V AC		
		No Buzzer	0.62A	0.32A	0.19A	0.08A	
Rated Power Consumption	Max.	With Buzzer	0.64A	0.34A	0.20A		
		No Buzzer	7.4W	7.7W	8.5W		
Rated Power Consumption	Max.	With Buzzer	7.7W	8.2W	8.8W		
Operating Ambient Temperature		-20°C to +50°C					
Operating Ambient Humidity		Less than 90 % (No condensation)					
Storage Ambient Temperature		-30°C to +60°C					
Storage Ambient Humidity		Less than 90 % (No condensation)					
Mounting Location		Indoor/Outdoor					
Mounting Direction		Indoor : Upright, Inverted & Sideways Outdoor : Upright					
Protection Rating		SF08-M□JN		IP23			
		SF08-M□KT□		IP65(SZW-102 [Rubber Gasket] Attachment) IP66/NEMA TYPE 4X,13			
Environmental Condition		Upright					
Insulation Resistance		More than 1MΩ at 500V DC between live part and non-current carrying metallic part		More than 3MΩ at 500V DC between live part and non-current carrying metallic part			
Withstand Voltage		500V AC applied for 1min between live part and non-current carrying metallic part without breaking insulation		4,000V AC applied for 1min between live part and non-current carrying metallic part without breaking insulation			
Mass (Typ.)		SF08-M1JN	0.27kg	SF08-M2JN	0.3kg		
		SF08-M1KTN	0.24kg	SF08-M2KTN	0.27kg		
		SF08-M1KTB	0.25kg	SF08-M2KTB	0.28kg		
Sound Pressure Level (Typ.)		86dB					
Environmental Condition		Front direction from the Buzzer Aperture/at 1m					
Rotation Flashing Rate(Typ.)		180 R.P.M.[High Speed], 120 R.P.M.[Middle Speed], 60R.P.M.[Low Speed]					
Flashing Rate(Typ.)		Single Flash(60 flashes per minute), Double Flash(90 flashes per minute)					
		Triple Flash(120 flashes per minute), Pulse(20 flashes per minute)					
Conformity Standards		UL UL508, CSA-C22.2 No.14 (UL File No.E215660)					
		EMC Directive		EN61000-6-4 EN61000-6-2	EN61000-6-4, EN61000-6-2 EN61000-3-2, EN61000-3-3		
		KC KN61000-6-4, KN61000-6-2					
		FCC FCC Part15 SubpartB ClassA, ICES-003 ClassA					
		RoHS Directive EN50581					
		Low Voltage Directive		IEC/EN60947-5-1,EN62471			
		EAC		TPTC020/2011		TPTC020/2011, TPTC004/2011	
		UL, Low Voltage Directive, and EAC have been evaluated for use in indoor industrial control equipment.					
Remarks		Due to the characteristics of the LED elements, a variation in difference of the color tone and brightness of every product may occur.					

[2. Model Number Configuration]



[3. Outer Dimensions]



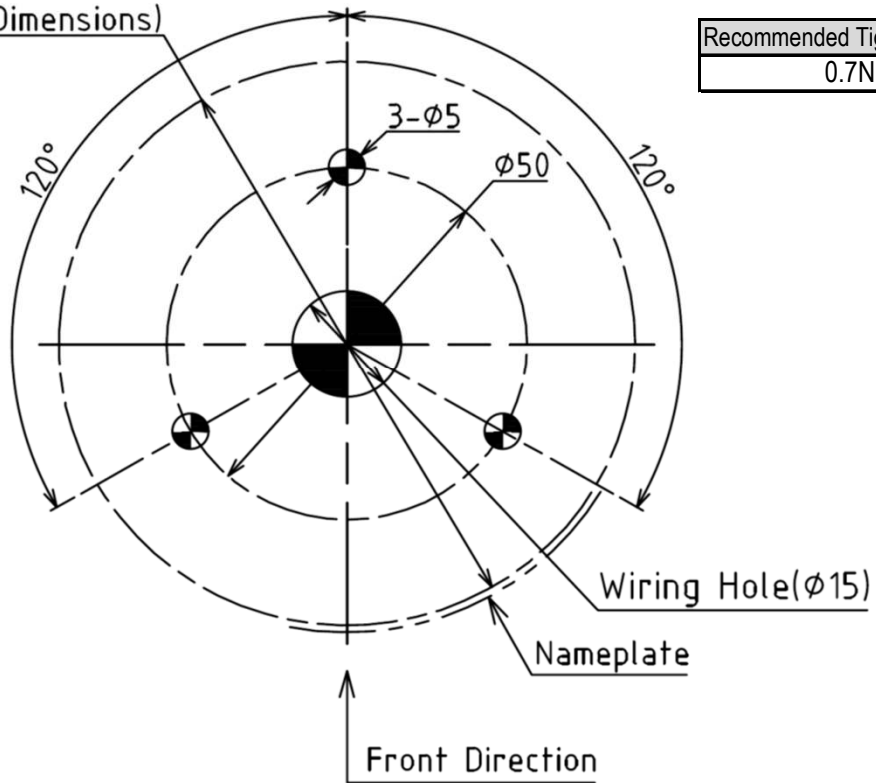
Drawing No.	Rev.	Page
SF08-M1JN-W18	A	3 / 4

[4. Mounting Dimensional Drawing]

[mm]

■ SF08-M1JN/SF08-M2JN

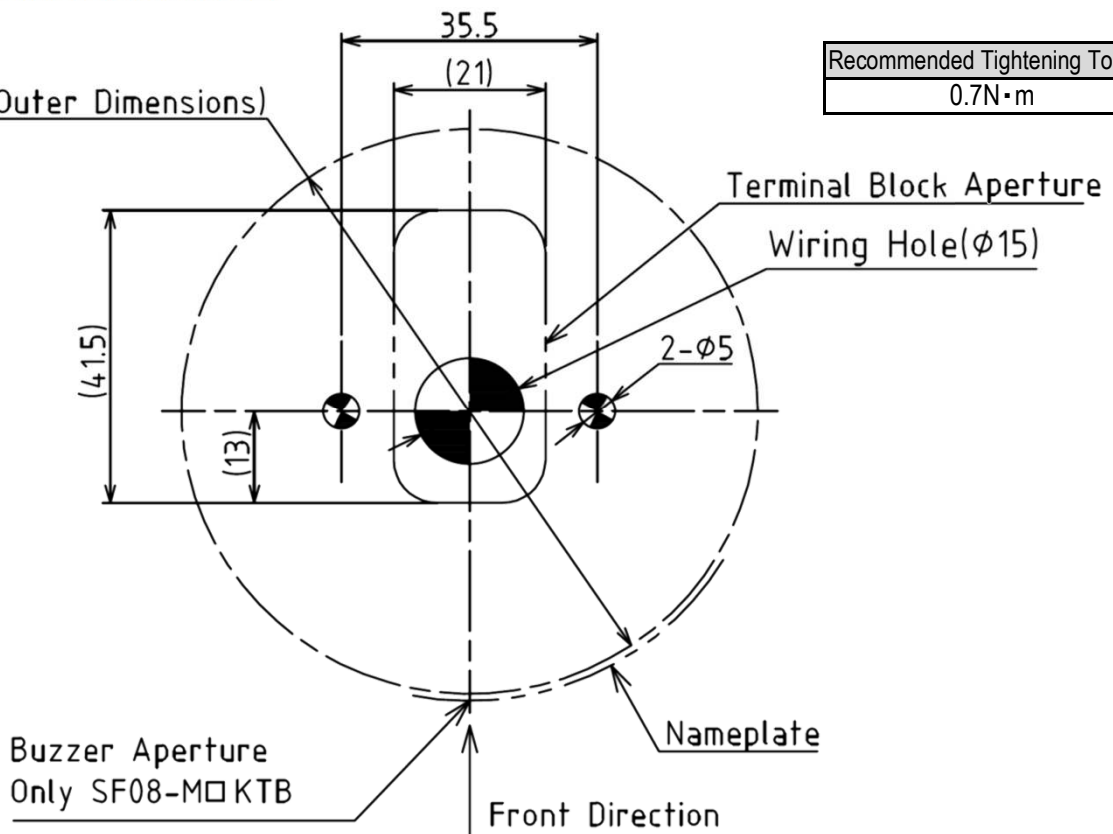
∅80(Outer Dimensions)



Recommended Tightening Torque
0.7N·m

■ SF08-M1KT□/SF08-M2KT□

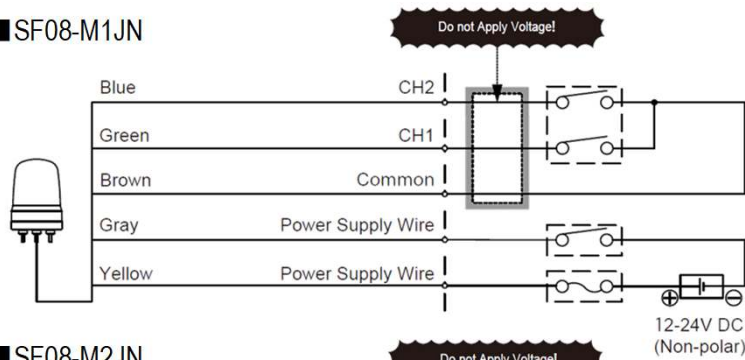
∅80(Outer Dimensions)



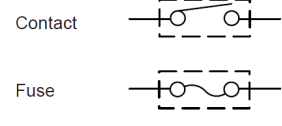
Recommended Tightening Torque
0.7N·m

[5.Wiring Diagram]

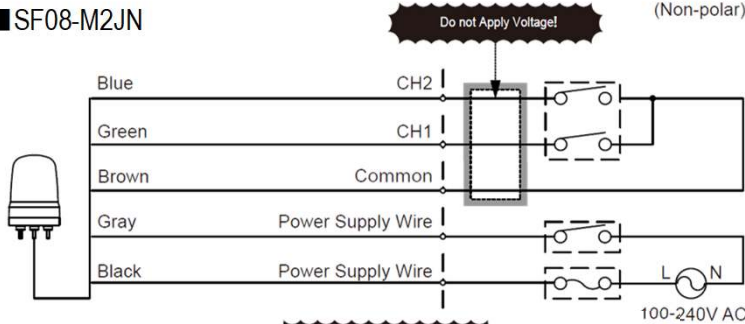
■ SF08-M1JN



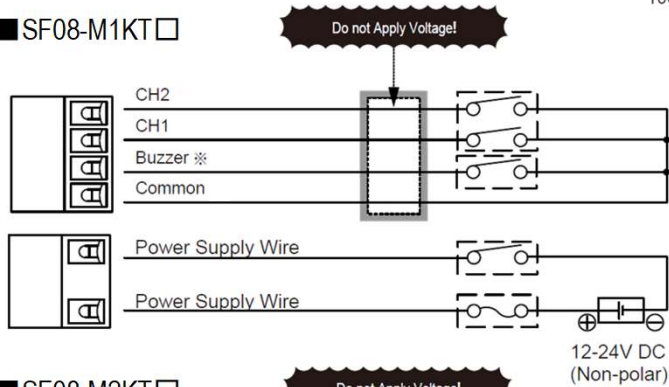
Symbol



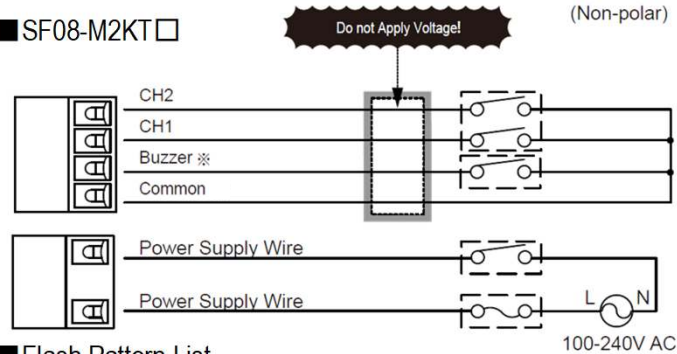
■ SF08-M2JN



■ SF08-M1KT □



■ SF08-M2KT □



※For No Buzzer Model,
do not require wiring.

■ Flash Pattern List

Rotary SW	Wiring [CH1/CH2]			
	CH1 OFF/CH2 OFF	CH1 ON/CH2 OFF	CH1 OFF/CH2 ON	CH1 ON/CH2 ON
Group 0	Turn off	Rotation(120R.P.M.)	Triple Flash	Dim. Rotation(120R.P.M.)
Group 1	Turn off	Rotation(180R.P.M.)	Triple Flash	Dim. Rotation(180R.P.M.)
Group 2	Turn off	Triple Flash	Pulse	Dim. Triple Flash
Group 3	Turn off	Rotation(60R.P.M.)	Rotation(120R.P.M.)	Rotation(180R.P.M.)
Group 4	Turn off	Single Flash	Double Flash	Triple Flash
Group 5	Triple Flash	Dim. Triple Flash	Half Triple Flash	Dim. Half Triple Flash
Group 6	Pulse	Dim. Pulse	Half Pulse	Dim. Half Pulse
Group 7	Rotation(60R.P.M.)	Dim. Rotation(60R.P.M.)	Half Rotation(60R.P.M.)	Dim. Half Rotation(60R.P.M.)
Group 8	Rotation(120R.P.M.)	Dim. Rotation(120R.P.M.)	Half Rotation(120R.P.M.)	Dim. Half Rotation(120R.P.M.)
Group 9	Rotation(180R.P.M.)	Dim. Rotation(180R.P.M.)	Half Rotation(180R.P.M.)	Dim. Half Rotation(180R.P.M.)

※Half : The front of the product light up.