

Power Switch Water-proof Type (with Built-in Detector Switches)

SDKR Series



For power resume in main power auto shut down, compact and composite type suitable for AC and DC.

Detector

Push

Slide

Rotary

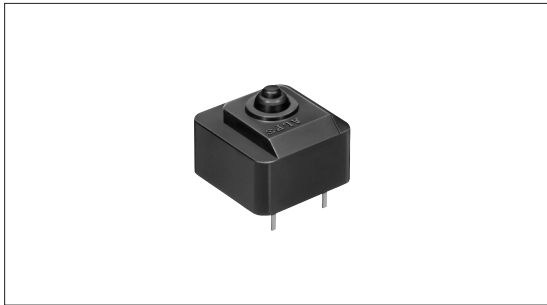
Encoders

Power

Dual-in-line
Package Type

TACT Switch™

Custom-
Products



Ratings and Safety Standards

Items	Specifications
AC Switch	1A 125V AC, 0.5A 250V AC (Resistive load)
DC Switch	10mA 5V DC (Resistive load)
Ratings satisfying local electrical appliance and material safety law	1A 125V AC

Product Line

Circuit arrangement	Travel (mm)	Operating force	Mounting method	Minimum order unit (pcs.)	Product No.
SPST	1.5	2.5 ± 1.5N	PC board	3,000	SDKRA10100

Packing Specifications

Bulk

Number of packages (pcs.)		Export package measurements (mm)
1 case /Japan	1 case /export packing	
750	3,000	555 × 375 × 223

Push
Type

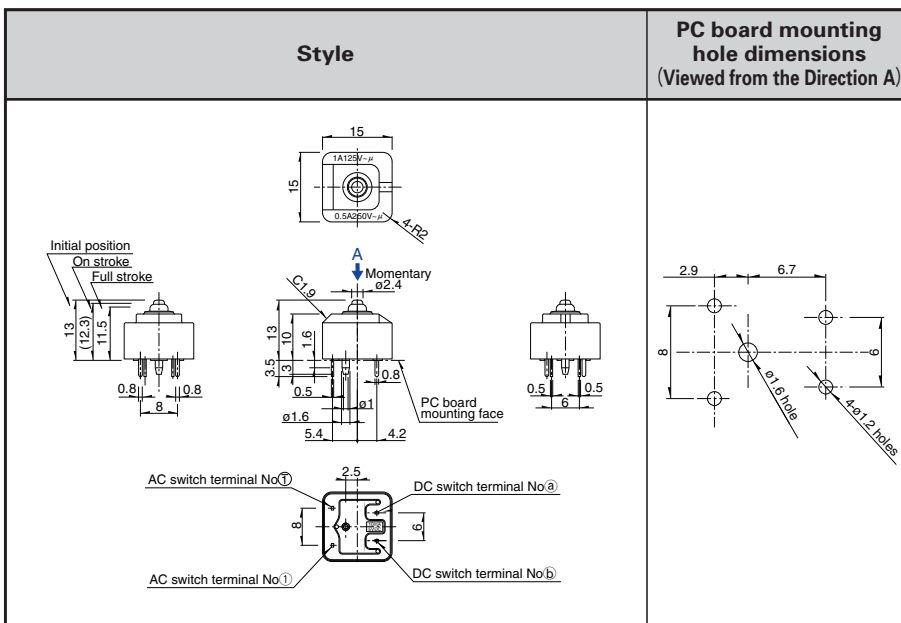
Rocker
Type

Slide
Type

Rotary
Type

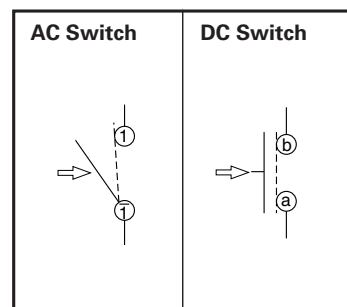
Dimensions

Unit:mm



Circuit Diagram

(Viewed from Direction A)



Notes

1. This product is not be used under water.
2. Depending on the loading conditions, Nitrogen Oxide (NOx) and moisture caused by opening/closing arc may generate nitric acid (HNO₃). This can lead to corrosion of the metal inside causing functional failure. Please apply contact protection circuits (arc suppressing circuits) or an OFF stage arc reducing circuit method.
3. Please place purchase orders per minimum order unit N (integer).

List of Varieties

Items	Type	Push		Rocker			
	Series	SDKN	SDKR	SDDJE ※1 ※2	SDDJF ※1 ※2		
Detector	Photo						
Push							
Slide							
Rotary	Travel (mm)	9 9.7	1.5	3.5	5.2		
Encoders	Remark	—	Water-proof type	—			
Power	Operating temperature range	-20°C to +60°C	-10°C to +85°C	-10°C to +55°C			
Dual-in-line Package Type	Automotive use	—	—	○	○		
TACT Switch™	Rating	0.25A 250V AC 0.5A 125V AC 5mA 5V DC	0.5A 250V AC 1A 125V AC	10A 250V AC 6A/96A 250V~	16A 250V AC 16 (6)/250~		
Custom-Products	Electrical performance	Contact resistance				100mΩ max.	
		Insulation resistance				500MΩ min. 500V DC	
		Voltage proof		1,000V AC for 1minute		2,000V AC for 1minute	
Push Type	Mechanical performance	Terminal strength		50N for 1minute	5N for 1minute	50N for 1minute	60N for 1minute
		Actuator strength	Operating direction	20N	100N	25N	
			Perpendicular direction	20N		25N	
		Resistance to soldering heat	Manual soldering	—	300±10°C, 3±0.5s	350±10°C, 3±0.5s	
Dip soldering	—		260±5°C, 10±1s	※260±10°C, 10±1s			
Rotary Type	Durability	Operating life		6,000cycles	100,000cycles	10,000cycles	
		Load : as ratings		Refer to individual product spec.		Load : as ratings	
Push Type	Environmental performance	Cold		-30±2°C for 96h	-20±2°C for 240h	-20±2°C for 96h	
		Dry heat		85±2°C for 96h	85±2°C for 240h	85±2°C for 96h	
		Damp heat		40±2°C, 90 to 95%RH for 96h	60±2°C, 90 to 95%RH for 1000h	40±2°C, 90 to 95%RH for 96h	
	Page	249	251	252	256		

- Power Switches Cautions264
- Power Switches Safety Standard265, 266, 267

Notes

- ※1. Dip soldering can be used on SDDJE For PC board terminal and SDDJF right angle terminal types only.
- ※2. The operating temperature range for automotive applications can be raised upon request. Please contact us for details.
- marks in "Available for automotive use" indicate that some of the series products can work at the operating temperature range from -40°C to +85°C.