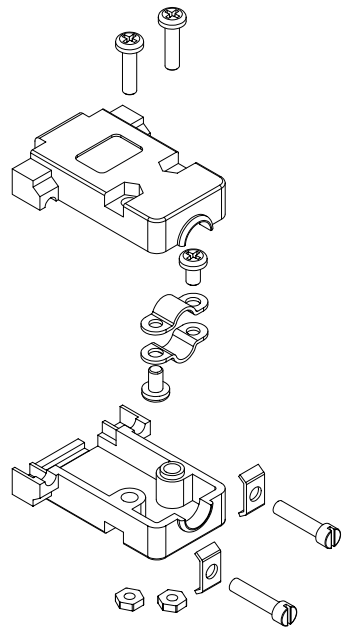
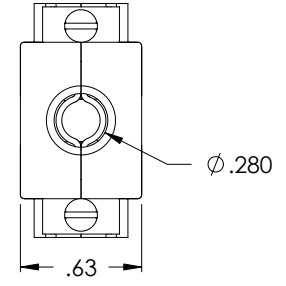
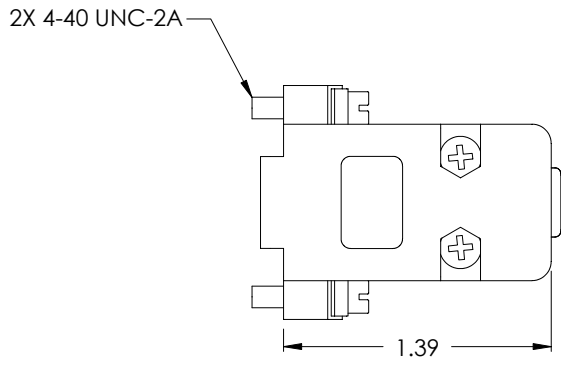
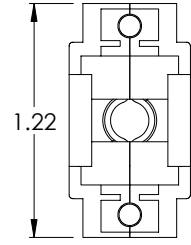


THE INFORMATION CONTAINED IN THIS DRAWING IS THE SOLE PROPERTY OF L-COM, INC. ANY REPRODUCTION IN PART OR WHOLE WITHOUT THE WRITTEN PERMISSION OF L-COM, INC. IS PROHIBITED.

REVISIONS			
REV	DESCRIPTION	DATE	APPROVED
A	RELEASED FOR PRODUCTION	11/19/01	DFP
.	.	.	.
.	.	.	.



NOTE:

- HOOD: FLAME RETARDANT GRAY PLASTIC
- HARDWARE PROVIDED: MALE GENDER TERMINATION
- ALL HARDWARE SHOWN PROVIDED WITH CONNECTOR KIT.

UNLESS OTHERWISE SPECIFIED, DIMENSIONS ARE IN INCHES. TOLERANCES ARE:
 X ±.1
 .XX ±.05
 .XXX ±.005
 CABLE LENGTH TOLERANCE
 <300" ±5% >300" ±2%

APPROVALS	DATE
DRAWN D PARHAM	11/19/2001
CHECKED T CLARK	11/19/2001
APPROVED BY R CARRICK	11/19/2001

CONFIGURATION DETAILS OF UNDIMENSIONED FEATURES MAY VARY

L-com CONNECTIVITY PRODUCTS		45 BEECHWOOD DRIVE NORTH ANDOVER, MA 01845	
DRAWN		PRODUCT DESCRIPTION	
D PARHAM		D-SUB HOODS	
CHECKED		DRAWING TITLE	
T CLARK		OUTLINE DRAWING	
APPROVED BY		SIZE	FSCM NO.
R CARRICK		A	43321
		DWG. NO.	REV.
		SDC9G-OD1	A
SCALE	CAD FILE:	SHEET	OF
1:1	SDC9G-OD1.SLDDRW	1	1