

# Panel Meter

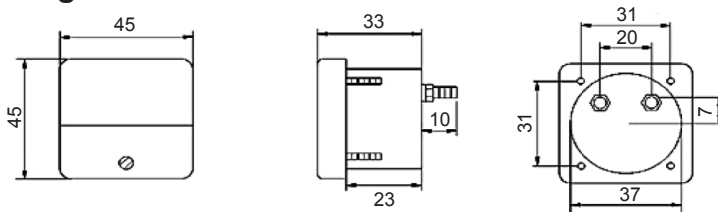
## Moving Coil Meter



### Specifications:

Movement	: Moving coil type
Measuring Range	: 90°
Pointer	: 0.4m/m
Pointer Colour	: Red/Black
Pointer Position	: Left zero hand
Scale	: Aluminium
Coil Resistance	: 1500Ω ±10%
Current Sensitivity	: DC 100uA ±2.5%
Friction Tolerance	: ±0.4m/m
Balance	: Within the pointer width ±0.4m/m vertically and horizontally
Over Current	: Within 5 items of rate current
Operation Temperature	: Between -20°C and +60°C
Zero Position Difference	: Within width of pointer
+ Terminal	: Right side when seen from front

### Diagram



### Specification Table

Type	Full Scale Deflection	Case Dimension	Part Number
Ammeters	100μA	45 × 45	SD-38/0-100UA
	1mA		SD38/0-1MA
	20mA		SD38/0-20MA
	500mA		SD38/0-500MA
	1A		SD38/0-1A
	3A		SD38/0-3A
	5A		SD38/0-5A
Voltmeters	15V	SD38/0-15V	
	30V	SD38/0-30V	

Dimensions : Millimetres

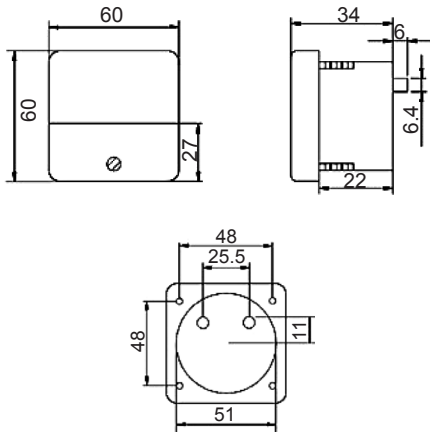


# Panel Meter

## Moving Coil Meter



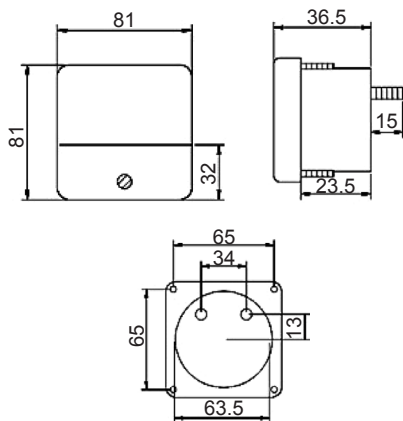
**Specification Table**



Type	Full Scale Deflection	Case Dimension	Part Number
Ammeters	100µA	60 × 60	SD60/0-100UA
	1mA		SD60/0-1MA
	20mA		SD60/0-20MA
	1A		SD60/0-1A
	5A		SD60/0-5A
	10A		SD60/0-10A
	15A		SD60/0-15A
	30A		SD60/0-30A
	50A		SD60/0-50A
Voltsmeters	15V	SD60/0-15V	
	30V	SD60/0-30V	
	300V	SD60/0-300V	

Dimensions : Millimetres

**Specification Table**



Type	Full Scale Deflection	Case Dimension	Part Number
Ammeters	100µA	81 × 81	SD80/0-100UA
	1mA		SD80/0-1MA
	1A		SD80/0-1A
	5A		SD80/0-5A
	10A		SD80/0-10A
	30A		SD80/0-30A
	50A		SD80/0-50A
Voltsmeters	15V	SD80/0-15V	
	30V	SD80/0-30V	
	300V	SD80/0-300V	

Dimensions : Millimetres

**Important Notice :** This data sheet and its contents (the "Information") belong to the members of the Premier Farnell group of companies (the "Group") or are licensed to it. No licence is granted for the use of it other than for information purposes in connection with the products to which it relates. No licence of any intellectual property rights is granted. The Information is subject to change without notice and replaces all data sheets previously supplied. The Information supplied is believed to be accurate but the Group assumes no responsibility for its accuracy or completeness, any error in or omission from it or for any use made of it. Users of this data sheet should check for themselves the Information and the suitability of the products for their purpose and not make any assumptions based on information included or omitted. Liability for loss or damage resulting from any reliance on the Information or use of it (including liability resulting from negligence or where the Group was aware of the possibility of such loss or damage arising) is excluded. This will not operate to limit or restrict the Group's liability for death or personal injury resulting from its negligence. Multicomp is the registered trademark of the Group. © Premier Farnell Limited 2016.

