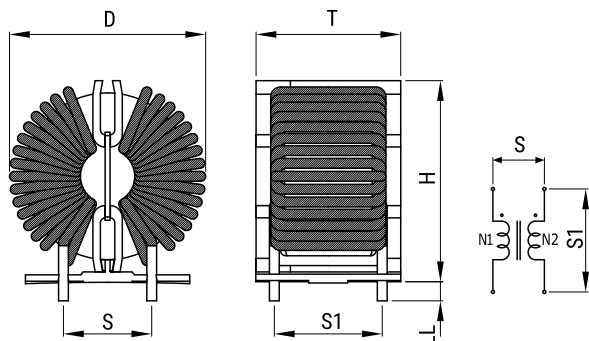


KEMET Part Number: SCR-150-1R4A006J-P
(UAL151R4A006JP)

KEMET

a YAGEO company

KEMET, SCR, AC Line Filters, Common Mode, 0.6 mH



General Information	
Series:	SCR
Style:	Through-Hole
Features:	High Impedance
RoHS:	Yes
Notes:	Lead Spacing (S/S1) Are For Reference Only.
Miscellaneous:	Temperature Rise Maximum: 58 K
Core:	Mn-Zn Ferrite

Dimensions	
D	29.5mm MAX
T	23mm MAX
H	28.5mm MAX
LL	4mm +/-1mm
S	18mm NOM
S1	16mm NOM
Wire Size	1.4mm

Specifications	
Voltage AC:	250 VAC/VDC
Voltage DC:	250 VDC
Inductance:	0.6 mH
Current:	15 A
Temperature Range:	-25/+120°C
DC Resistance:	5.3 mOhms

Packaging Specifications	
Packaging:	Tray
Packaging Quantity:	240
Component Weight:	22.9 g

Statements of suitability for certain applications are based on our knowledge of typical operating conditions for such applications, but are not intended to constitute - and we specifically disclaim - any warranty concerning suitability for a specific customer application or use. This Information is intended for use only by customers who have the requisite experience and capability to determine the correct products for their application. Any technical advice inferred from this Information or otherwise provided by us with reference to the use of our products is given gratis, and we assume no obligation or liability for the advice given or results obtained.

KEMET

a YAGEO company