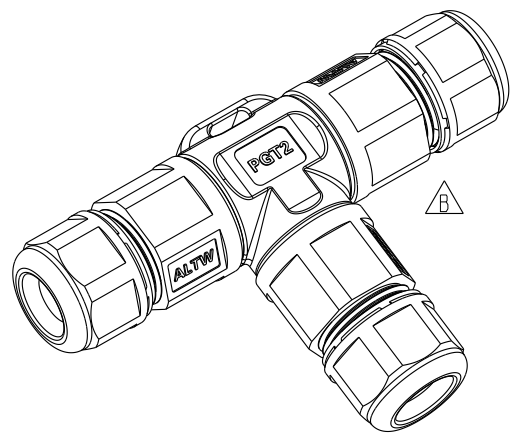
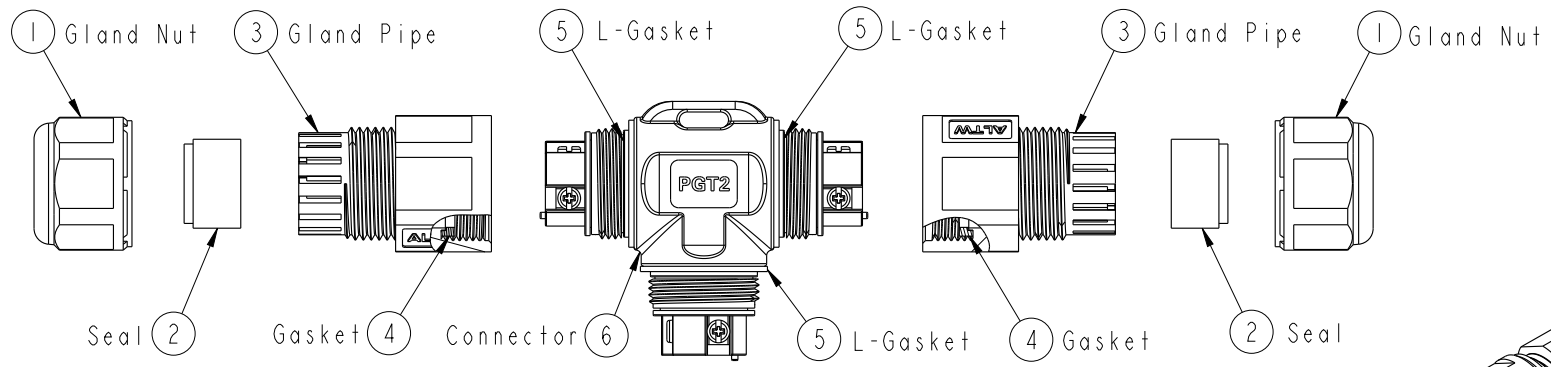


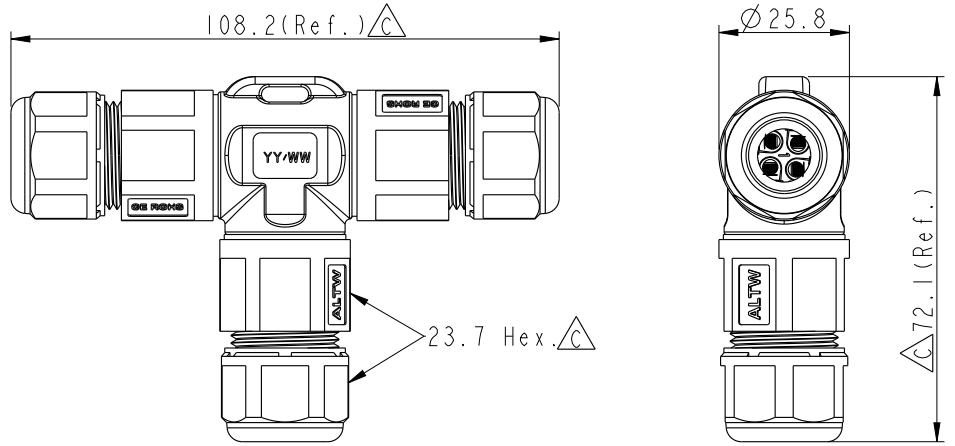
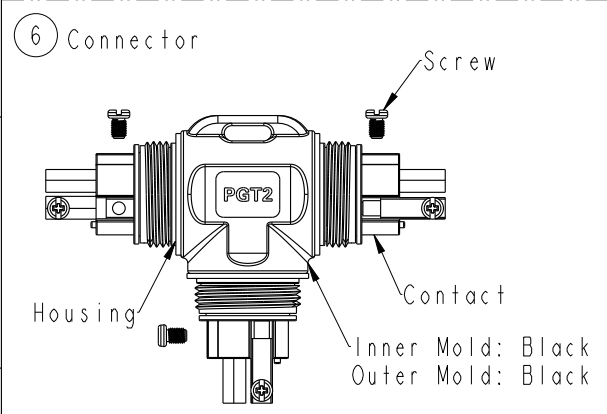
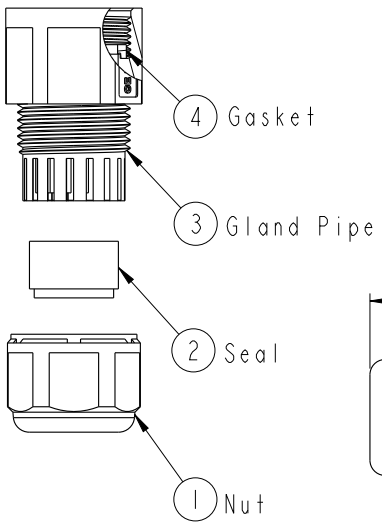
THIS DOCUMENT IS SUBJECT TO CHANGE WITHOUT NOTICE. IT IS CONFIDENTIAL AND A PROPERTY OF Amphenol LTW. DISCLOSURE TO THIRD PARTY HAS TO BE AUTHORIZED BY Amphenol LTW.

REV.	ECN NO.	DATE	SIGN	DESCRIPTION
B	LEN1650238~249	2015/04/23	Joyy	Modify The Wire Cross Section
C	LEN1681136~147	2016/07/12	Joyy	Modify The Dimensions
D	LEN1690129~140	2016/09/10	Joyy	Modify the packaging and quantity



ALTW
 CONFIDENTIAL
 2016-09-10
 R&D DEPT.

ALTW
 DCC. DEPT.
 CONFIDENTIAL
 2016.09.23
 ISSUED

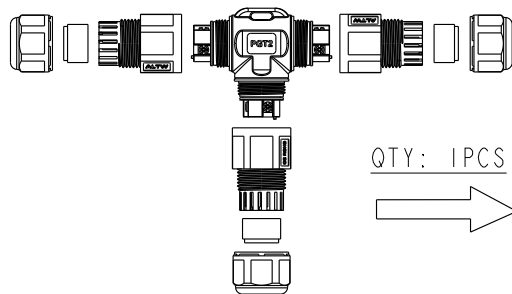


UNIT: mm		
TOLERANCE		
.X	±0.25	
.XX	±0.1	
.XXX	±0.05	
ANGLES	±1°	

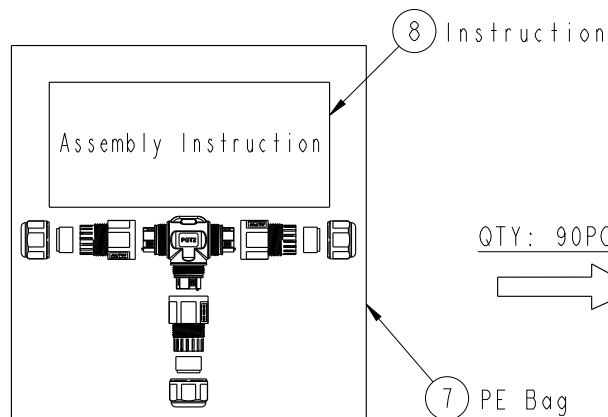
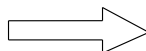
TITLE PGT2 Cable Joiner Screw-in Type			
SCALE 67:100	SIZE A4	SHEET 1 OF 2	
REV. D	WC-REV. A.14	☉: Inspection item	

Amphenol LTW
 安費諾亮泰企業股份有限公司

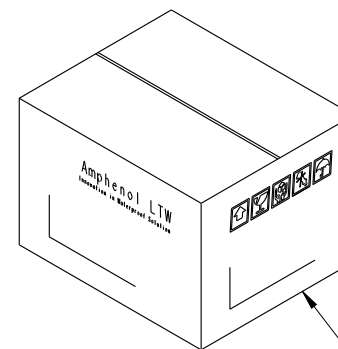
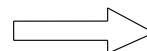
ITEM NO.	DRAWN BY Joyy	DATE 2016-09-10
DWG NO. SC-L-PGT2-XX-XX	CHECKED BY Ma Fei	DATE 2016-09-10
CUSTOMER ALTW	APPROVED BY Jerry	DATE 2016-09-10



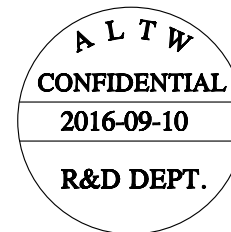
QTY: 1PCS



QTY: 90PCS



9 Carton



Both A Unassembled product And An Instruction Are In A PE Bag.
(將一套未組裝的產品和說明書, 放置於一個PE袋, 並封口)

SC-L-PGT2-XX-XX
L: Cable Joiner
Type: PGT2

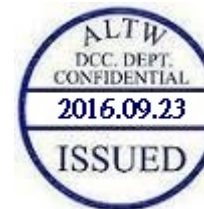
Seal's Color: BL-Blue(藍色) For Cable Range: $\varnothing 4.5\sim\varnothing 6.5\text{mm}$
 YW-Yellow(黃色) For Cable Range: $\varnothing 6.6\sim\varnothing 8.5\text{mm}$
 GN-Green(綠色) For Cable Range: $\varnothing 8.6\sim\varnothing 10.5\text{mm}$
 RD-Red(紅色) For Cable Range: $\varnothing 10.6\sim\varnothing 12.5\text{mm}$

No. of Conductor: 02-2Poles
 03-3Poles
 04-4Poles

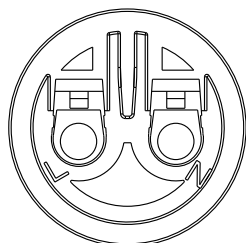


Note:

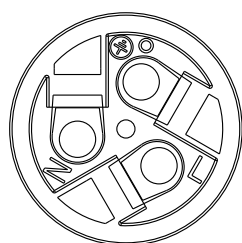
- * ⌀ Important Dimension To Check.
- * Waterproof Rate: IP68 (50M, 24H)
- * Housing: PA66+GF, Black.
- * Gland Nut: PA6+GF, Black.
- * Gland Pipe: PA66, Black.
- * Contact: Brass, Nickel Plated
- * Gasket & L- Gasket : Silicone, Yellow.
- * Seal: Silicone, Blue & Yellow & Green & Red.
- * Rated Voltage: 2~4 Pole 450V AC
- * Rated Current: 2 & 3 Pole Max. 20A ,
4 Pole Max. 15A.
- * Operating Temperature: $-40^{\circ}\sim+105^{\circ}$.
- * Gland Pipe Recommended Tightening Torque:
6~8 Kgf.cm(0.59~0.78 N.m)
- * Gland Nut Recommended Tightening Torque:
6~8 Kgf.cm(0.59~0.78 N.m)
- * Seal For Cable OD: $\varnothing 4.5\sim\varnothing 6.5\text{mm}$, Blue.
 $\varnothing 6.6\sim\varnothing 8.5\text{mm}$, Yellow.
 $\varnothing 8.6\sim\varnothing 10.5\text{mm}$, Green .
 $\varnothing 10.6\sim\varnothing 12.5\text{mm}$, Red.
- * Screws for Wire connection recommended tightening torque: 1.29~2.30kgf.cm / 0.127~0.226 N.m
- * Applicable Wire gauge (Stranded wire cross section) 0.75mm^2 (18AWG) ~ 2.5mm^2 (14AWG)



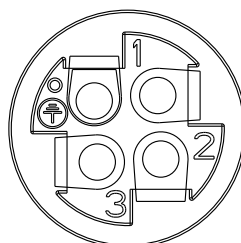
Pole Assignments Front View



2 Pole

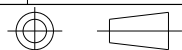


3 Pole



4 Pole

UNIT:mm



TITLE PGT2 Cable Joiner
Screw-in Type

Amphenol LTW
安費諾亮泰企業股份有限公司

ITEM NO	DRAWN BY	DATE
DWG NO	JOY	2016-09-10
CUSTOMER	CHECKED BY	DATE
ALTW	Ma Fei	2016-09-10
	APPROVED BY	DATE
	Jerry	2016-09-10

TOLERANCE	
.X	± 0.25
.XX	± 0.1
.XXX	± 0.05
ANGLES	$\pm 1^{\circ}$

SCALE	SIZE	SHEET	OF
67:100	A4	2	2
REV.	WC-REV.	Ⓞ: Inspection item	
D	A.14		