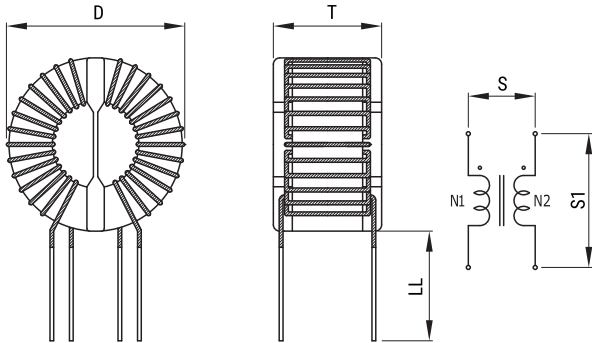


KEMET Part Number: SCF-02-1300
(UALSCF02130000)

KEMET, SCF, AC Line Filters, Common Mode, 13 mH



Dimensions

D	15mm MAX
T	12mm MAX
LL	15mm +/-2mm
Wire Size	0.45mm

Packaging Specifications

Packaging:	Tray
Packaging Quantity:	1300
Component Weight:	5 g

General Information

Series:	SCF
Style:	Through-Hole
RoHS:	Yes
Notes:	Lead Spacing (S/S1) Are For Reference Only.
Miscellaneous:	Temperature Rise Maximum: 50 K
Core:	Nanocrystal

Specifications

Voltage AC:	250 VAC
Inductance:	13 mH
Current:	2 A
Temperature Range:	-25/+120°C
DC Resistance:	115 mOhms