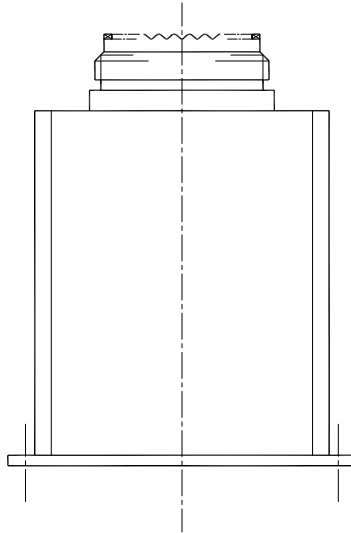


TYCO ELECTRONICS RESERVES THE RIGHT TO AMEND THIS DRAWING AT ANY TIME. USERS SHOULD EVALUATE THE SUITABILITY OF THE PRODUCT FOR THEIR APPLICATION.

REVISIONS

LTR	DESCRIPTION	DATE	APPROVED
A	INITIAL RELEASE PER DCR R050370	9/29/05	MPIOZET

If this document is printed it becomes uncontrolled.
Check for the latest revision.



ADAPTER FOR MIL-DTL-83527 CONNECTOR (INSERT A)

NOTES

- THIS PRODUCT IS DESIGNED TO TERMINATE A TYCO CODE 40 O/NO. 16 ADAPTER (AND A HEAT SHRINKABLE LIPPED BOOT IF REQUIRED) TO A CONNECTOR – SEE NOTE 4.
- SEE SHEET 2 FOR DIMENSIONS AND PART NUMBERING/ORDERING SYSTEM.
- ADAPTER TO BE PERMANENTLY MARKED WITH CODE IDENTIFICATION NUMBER AND FULL PART NUMBER. (e.g. 06090 SCA600AC0-16A).
- ADAPTOR MATES TO: MIL-DTL-83527 (ARINC 600) CONNECTORS – INSERT A. IT IS DESIGNED TO REPLACE INSERT RETAINERS BUT UTILISES EXISTING RETAINER SCREWS AND LOCKWASHERS.
- FOR ALTERNATIVE MATERIALS AND PLATING FINISHES CONTACT TYCO/RAYCHEM.

©2005 Tyco Electronics Corporation. All rights reserved.

SPECIFICATION CONTROL DRAWING

UNLESS OTHERWISE SPECIFIED
DIMENSIONS ARE IN INCHES.
METRIC DIMENSIONS ARE
IN BRACKETS.

DECIMALS

.X ± 0.020 [0.50]

.XX ± 0.010 [0.25]

.XXX ± 0.005 [0.13]

ANGLES

.X ± ---

DRAWN IRT	DATE SEP 05
CHECKED KJW	DATE SEP 05
APPROVED KJW	DATE SEP 05
APPROVED KJW	DATE SEP 05
CAD NAME R050370A	
THIRD ANGLE PROJECTION	

tyco
Electronics

Tyco Electronics Corporation
300 Constitution Drive
Menlo Park, CA, USA 94025

Raychem

TITLE
ADAPTER FOR MIL-DTL-83527 CONNECTOR
INSERT A
TO MIL-C-38999/III AND IV O/NO. 16

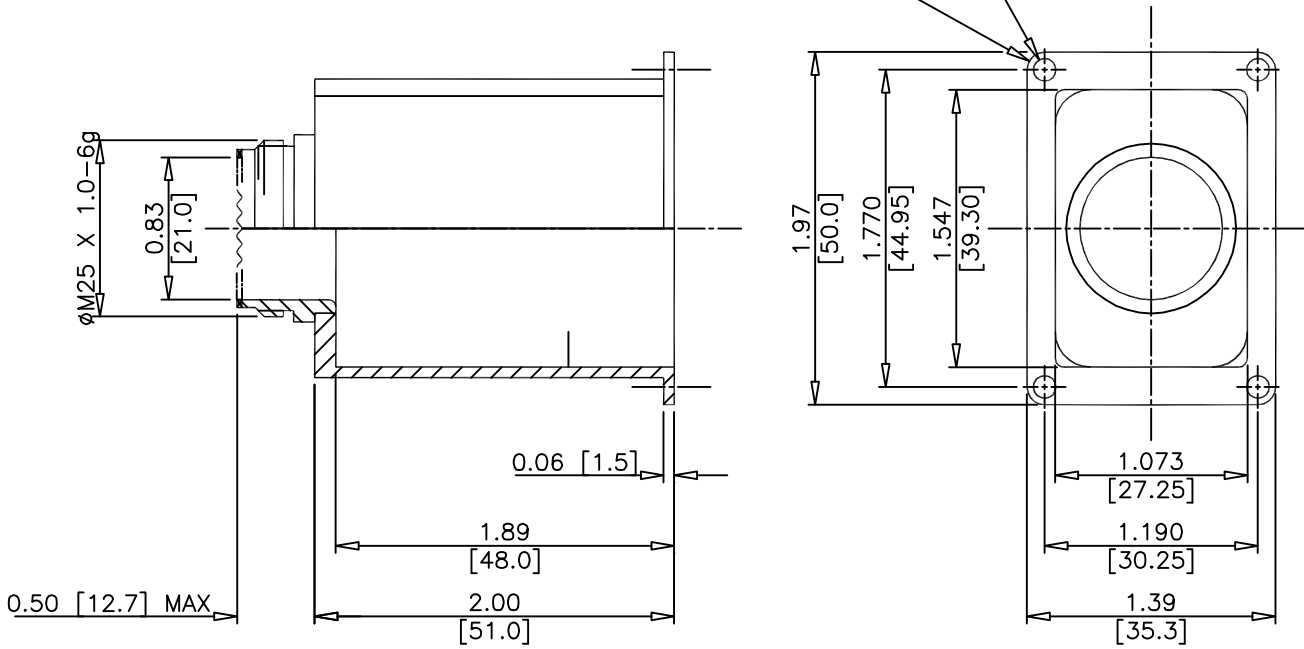
SIZE A4	CODE IDENT. NO. 06090	DWG. NO. SCA600AC0-16A	REV A
------------	--------------------------	---------------------------	----------

DO NOT SCALE THIS DWG

SHEET 1 OF 2

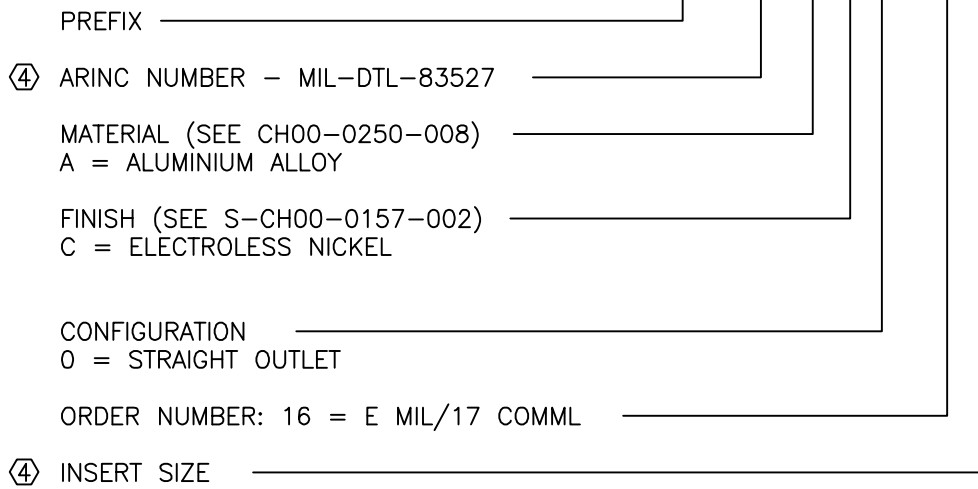
4 - $\varnothing 0.125$ [3.2] HOLES THROUGH

R0.1 [2.5] - 4 PLACES



PART NUMBERING SYSTEM

SCA 600 A C 0 - 16 A



If this document is printed it becomes uncontrolled.
Check for the latest revision.

SIZE	CODE IDENT. NO.	DWG. NO.	REV
A4	06090	SCA600AC0-16A	A
DO NOT SCALE THIS DWG		CAD NAME: R050370B	SHEET 2 OF 2