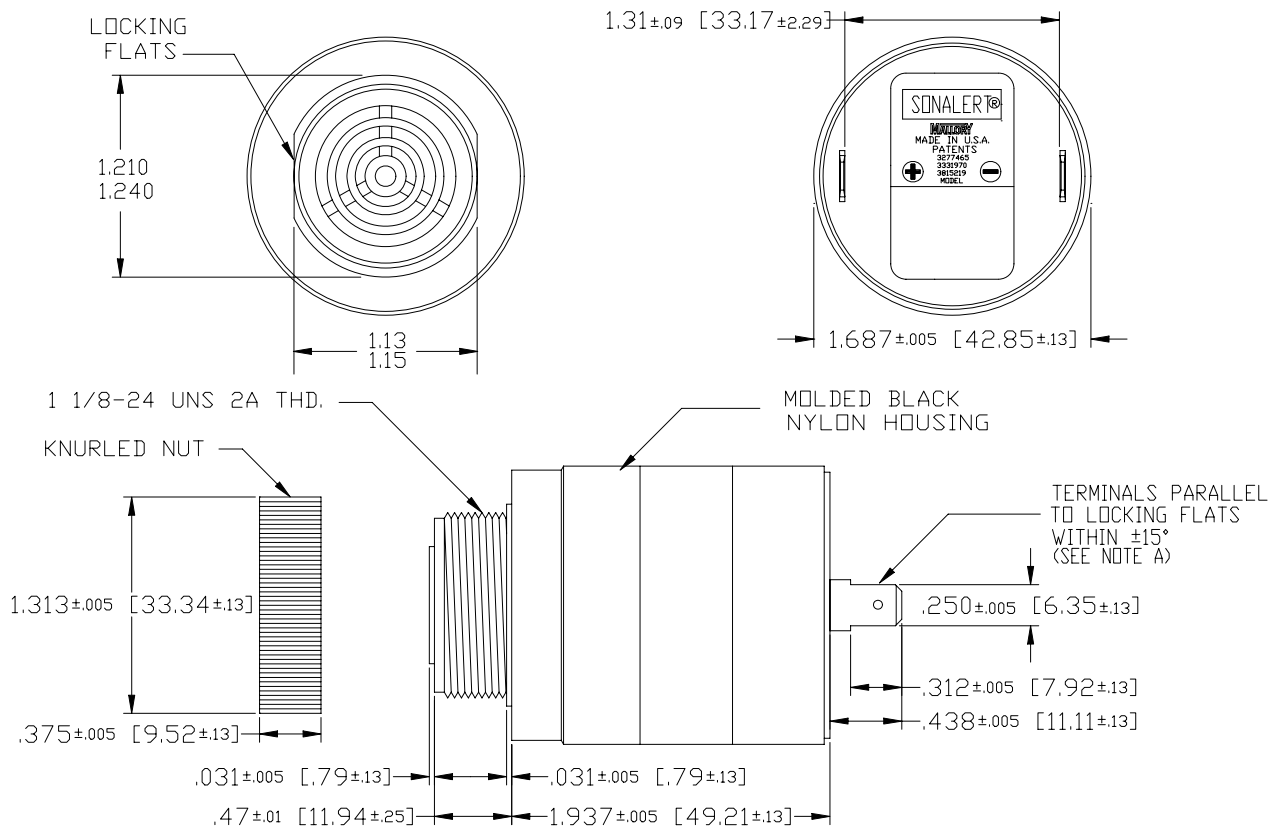


**Specifications:**

Sound level Category	Medium Sound Level
Mode of Operation	Single Pulse, Chime
Mounting	Panel (see note B)
Voltage Rating	30 to 110 Vac/dc
Frequency	1000 Hz ±100 Hz
Loudness (Min. Voltage)	55 dB(A) @ 2 FT and 30 Vac/dc
Loudness (Max Voltage)	75 dB(A) @ 2FT and 110 Vac/dc
Current Draw	6 mA Max @ 30 Vac/dc
Current Draw	30 mA Max @ 110 Vac/dc
Storage Temperature	-40°C to +85°C
Operating Temperature	-30°C to +65°C
Weight (Typical)	1.8 oz (51 g)
Housing	6/6 Nylon, Color Black
Options	For other options contact factory

**Dimensions: Inches (mm)**



NOTE A: TERMINALS-.032 BRASS TIN PLATED. WILL ACCEPT 1/4" QUICK CONNECT.

NOTE B: MOUNTING- REMOVE BLACK PLASTIC NUT AND INSERT THREADED FRONT THROUGH 1.25" HOLE PUNCHED IN PANEL, IF ORIENTATION IS NEEDED, NOTE LOCKING FLATS ON DRAWING. SCREW NUT BACK ON. DO NOT OVERTIGHTEN.