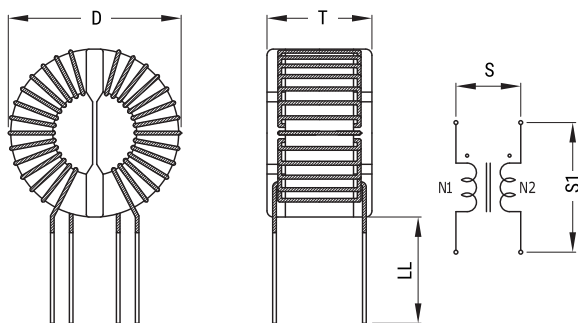


KEMET Part Number: SC-02-090
(UALSC020900000)

KEMET, SC, AC Line Filters, Common Mode, 9.4 mH



Dimensions

D	26mm MAX
T	14.5mm MAX
LL	15mm +/-2mm
S	6mm NOM
S1	13mm NOM
Wire Size	0.65mm

Packaging Specifications

Packaging:	Tray
Packaging Quantity:	360
Component Weight:	14.2 g

General Information

Series:	SC
Style:	Through-Hole
RoHS:	Yes
Notes:	Lead Spacing (S/S1) Are For Reference Only.
Miscellaneous:	Temperature Rise Maximum: 40 K
Core:	Mn-Zn Ferrite

Specifications

Voltage AC:	250 VAC
Inductance:	9.4 mH (10 kHz)
Current:	2 A
Temperature Range:	-25/+120°C
DC Resistance:	100 mOhms

Statements of suitability for certain applications are based on our knowledge of typical operating conditions for such applications, but are not intended to constitute - and we specifically disclaim - any warranty concerning suitability for a specific customer application or use. This Information is intended for use only by customers who have the requisite experience and capability to determine the correct products for their application. Any technical advice inferred from this Information or otherwise provided by us with reference to the use of our products is given gratis, and we assume no obligation or liability for the advice given or results obtained.