

Connector - SACC-M 8FS-3CON-M - 1681172

Please be informed that the data shown in this PDF Document is generated from our Online Catalog. Please find the complete data in the user's documentation. Our General Terms of Use for Downloads are valid (<http://phoenixcontact.com/download>)




Connector, 3-position, Socket straight M8, A-coded, Solder connection, Knurl material: Nickel-plated brass, External cable diameter 3.5 mm ... 5 mm

Product Features

- Safe use in the field, thanks to a high degree of protection
- Flexible: connectors for on-site assembly



Key Commercial Data

Packing unit	1 pc
GTIN	 4 017918 157524
Weight per Piece (excluding packing)	9.0 g
Custom tariff number	85366990
Country of origin	Germany

Technical data

Dimensions

External cable diameter	3.5 mm ... 5 mm
Stripping length of the sheath	12 mm
Stripping length of the individual wire	3 mm

Ambient conditions

Ambient temperature (operation)	-40 °C ... 85 °C
Degree of protection	IP67

General

Rated current at 40°C	4 A
Rated voltage	60 V

Connector - SACC-M 8FS-3CON-M - 1681172

Technical data

General

Number of positions	3
Insulation resistance	≥ 100 MΩ
Coding	A - standard
Standards/regulations	M8 connector IEC 61076-2-104
Status display	No
Overvoltage category	II
Degree of pollution	3
Connection method	Solder connection
Conductor cross section	0.08 mm ² ... 0.25 mm ²
Conductor cross section AWG	28 ... 22
Insertion/withdrawal cycles	≥ 100
Torque	0.2 Nm (M8 knurl)

Material

Flammability rating according to UL 94	HB
Contact material	CuZn
Contact surface material	Au
Contact carrier material	PA
Material of grip body	PBT
Material, knurls	Nickel-plated brass
Sealing material	NBR

Standards and Regulations

Standard designation	M8 connector
Standards/regulations	IEC 61076-2-104
Flammability rating according to UL 94	HB

Classifications

eCl@ss

eCl@ss 4.0	27140815
eCl@ss 4.1	27140815
eCl@ss 5.0	27260701
eCl@ss 5.1	27260701
eCl@ss 6.0	27279221
eCl@ss 7.0	27440104
eCl@ss 8.0	27440104
eCl@ss 9.0	27440102

Connector - SACC-M 8FS-3CON-M - 1681172

Classifications

ETIM

ETIM 2.0	EC001121
ETIM 3.0	EC002062
ETIM 4.0	EC002062
ETIM 5.0	EC002062

UNSPSC

UNSPSC 6.01	31251501
UNSPSC 7.0901	31251501
UNSPSC 11	31251501
UNSPSC 12.01	31251501
UNSPSC 13.2	31251501

Approvals

Approvals

Approvals

EAC / EAC / UL Recognized / cUL Recognized / cULus Recognized

Ex Approvals

Approvals submitted

Approval details

EAC

EAC

UL Recognized	
Nominal current I _N	4 A
Nominal voltage U _N	60 V

Connector - SACC-M 8FS-3CON-M - 1681172

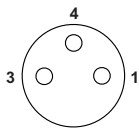
Approvals

cUL Recognized	
Nominal current I _N	4 A
Nominal voltage U _N	60 V

cULus Recognized

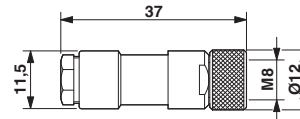
Drawings

Schematic diagram



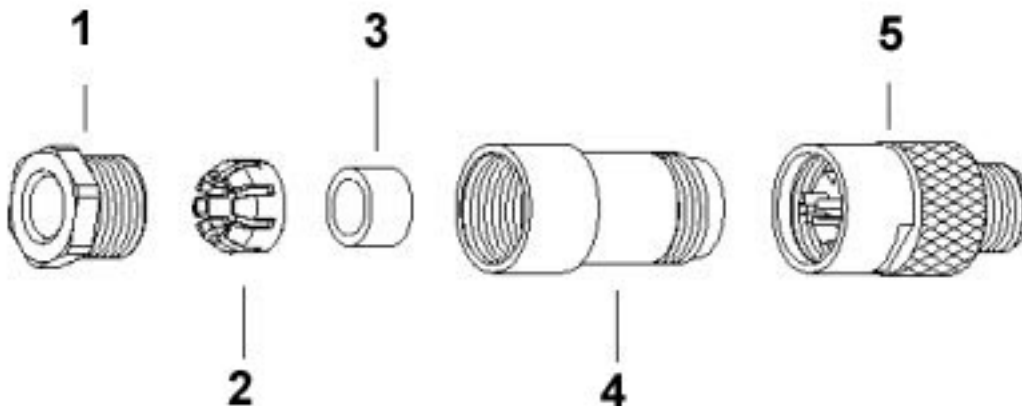
Pin assignment M8 socket, 3-pos.

Dimensional drawing



Socket M8 x 1, straight

Schematic diagram



- 1 = pressure screw
- 2 = clamp-type cage
- 3 = gasket

Connector - SACC-M 8FS-3CON-M - 1681172

4 = housing

5 = male or female insert

Phoenix Contact 2016 © - all rights reserved
<http://www.phoenixcontact.com>