

Housing screw connection - SACC-M12-SCO NUT L 90 - 1432460


Please be informed that the data shown in this PDF Document is generated from our Online Catalog. Please find the complete data in the user's documentation. Our General Terms of Use for Downloads are valid (<http://phoenixcontact.com/download>)



M12-SPEEDCON housing screw connection for M12 female inserts, with flat gasket, for all Speedcon-compatible THR and wave soldering contact carriers



Key commercial data

Packing unit	10 pc
Minimum order quantity	10 pc
GTIN	 4 046356 410731
Weight per Piece (excluding packing)	6.83 g
Custom tariff number	85366990
Country of origin	Germany
Product key	ABQCCB

Technical data

Ambient conditions

Ambient temperature (operation)	-25 °C ... 85 °C (Plug / socket)
	-40 °C ... 85 °C (without mechanical actuation)

General

Torque	1.5 Nm ... 2 Nm (Installation-side)
Mounting type	M12 x 1

Material

Contact material	CuZn
Contact surface material	Ni/Au
Contact carrier material	PA 66
Material of grip body	Zinc die-cast, nickel-plated
Material, knurls	Zinc die-cast, nickel-plated
Material	Zinc die-cast (nickel-plated)
Sealing material	FKM

Housing screw connection - SACC-M12-SCO NUT L 90 - 1432460

Technical data

Cable

Ambient temperature (operation)	-40 °C ... 85 °C (cable, fixed installation)
	-25 °C ... 85 °C (cable, flexible installation)

Classifications

eCl@ss

eCl@ss 4.0	27250313
eCl@ss 4.1	27250313
eCl@ss 5.0	27143423
eCl@ss 5.1	27143423
eCl@ss 6.0	27143423
eCl@ss 7.0	27449001
eCl@ss 8.0	27449001

ETIM

ETIM 3.0	EC002350
ETIM 4.0	EC002350
ETIM 5.0	EC002350

UNSPSC

UNSPSC 6.01	31251501
UNSPSC 7.0901	31251501
UNSPSC 11	31251501
UNSPSC 12.01	31251501
UNSPSC 13.2	31251501

Approvals

Approvals

Approvals

GOST / GOST

Ex Approvals

Approvals submitted

Approval details

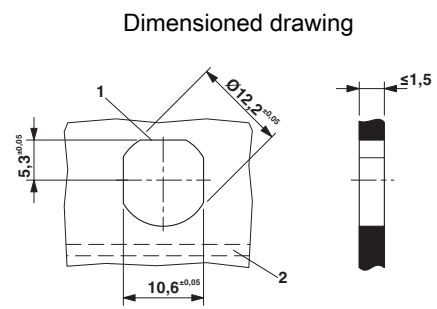
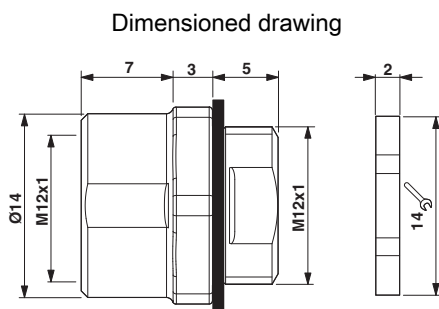
Housing screw connection - SACC-M12-SCO NUT L 90 - 1432460

Approvals

GOST

GOST

Drawings



Housing cutout for M12 fastening thread, mounting panel with feed-through hole (alternative with surface as protection against rotation)