

I/O module - IB L2 BOX 24 DI 8/4 M12 - 2731995

Please be informed that the data shown in this PDF Document is generated from our Online Catalog. Please find the complete data in the user's documentation. Our General Terms of Use for Downloads are valid (<http://phoenixcontact.com/download>)



Digital input module, 8 digital inputs, 24 V DC, 4-wire connection, IP65/67 protection

The illustration shows version IB L2 BOX 24 DI 4/4 M12

Product Description

The digital INTERBUS-Loop 2 input/output modules with IP67 protection make it possible to connect digital sensors and actuators to INTERBUS-Loop 2 using M12 connectors.

The module is linked to INTERBUS-Loop 2 like the supply voltage, using the QUICKON fast connection system.

Key Commercial Data

Packing unit	1 pc
Weight per Piece (excluding packing)	196.1 g
Custom tariff number	85389091
Country of origin	Germany

Technical data

Interfaces

Connection method	QUICKON fast connection
Transmission physics	Copper

Power supply

Typical current consumption	40 mA (from INTERBUS-Loop 2)
I/O voltage	24 V DC (via INTERBUS-Loop 2)
I/O voltage range	19.2 V DC ... 30 V DC
Residual ripple	± 1.2 V DC

Inputs

Number of inputs	8
Connection method	4-wire
	M12 connector
Typical input current per channel	3 mA (at 24 V DC)
Input voltage	24 V DC

I/O module - IB L2 BOX 24 DI 8/4 M12 - 2731995

Technical data

Inputs

Input voltage range "0" signal	0 V ... 5 V
Input voltage range "1" signal	13 V ... 30 V
Delay at signal change from 0 to 1	1.5 ms
Delay at signal change from 1 to 0	1.5 ms

General

Weight	140 g
--------	-------

Classifications

eCl@ss

eCl@ss 4.0	27250302
eCl@ss 4.1	27250302
eCl@ss 5.0	27250302
eCl@ss 5.1	27242604
eCl@ss 6.0	27242604
eCl@ss 7.0	27242604

ETIM

ETIM 2.0	EC001430
ETIM 3.0	EC001599
ETIM 4.0	EC001599
ETIM 5.0	EC001599

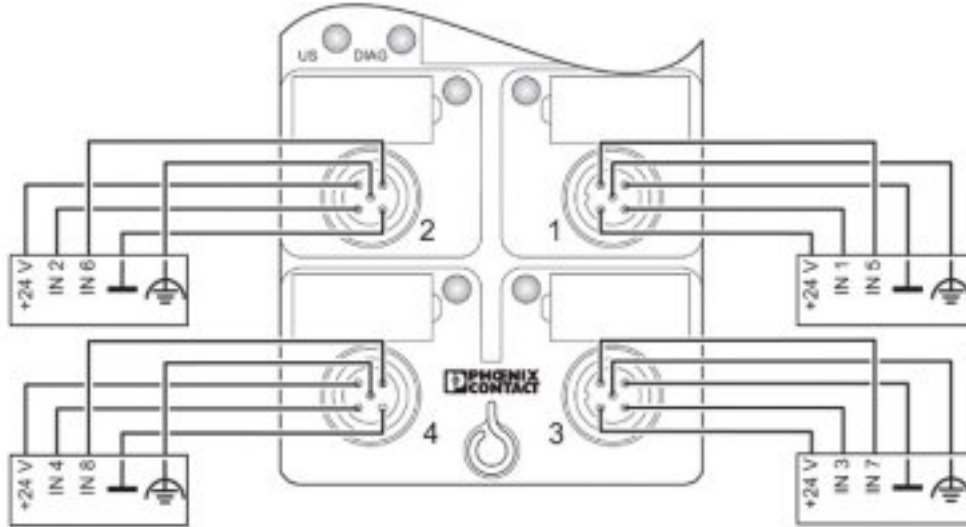
UNSPSC

UNSPSC 6.01	43172015
UNSPSC 7.0901	43201404
UNSPSC 11	43172015
UNSPSC 12.01	43201404
UNSPSC 13.2	43201404

Drawings

I/O module - IB L2 BOX 24 DI 8/4 M12 - 2731995

Connection diagram



Dimensional drawing

