

## Bus system connector - SACC-M12MR-8Q SH - 1553653

Please be informed that the data shown in this PDF Document is generated from our Online Catalog. Please find the complete data in the user's documentation. Our General Terms of Use for Downloads are valid (<http://phoenixcontact.com/download>)



Bus system connector, Ethernet CAT5 (1 Gbps), 8-position, shielded, Plug angled M12, A-coded, Insulation displacement connection, Knurl material: Nickel-plated brass, External cable diameter 4 mm ... 8 mm

### Product Features

- Safe use in the field, thanks to a high degree of protection
- Flexible: connectors for on-site assembly
- Insulation displacement connection: innovative and time-saving assembly without stripping the single wire
- Reliable signal transmission - 360° shielding in environments with electromagnetic interference



### Key Commercial Data

Packing unit	1 pc
Weight per Piece (excluding packing)	60.0 g
Custom tariff number	85366990
Country of origin	Germany

### Technical data

#### Dimensions

External diameter	4 mm ... 8 mm
Stripping length of the sheath	≥ 35 mm

#### Ambient conditions

Ambient temperature (operation)	-40 °C ... 85 °C
Degree of protection	IP67

#### General

Rated current at 40°C	2 A
Rated voltage	30 V
Number of positions	8
Insulation resistance	≥ 100 MΩ

## Bus system connector - SACC-M12MR-8Q SH - 1553653

### Technical data

#### General

Coding	A - standard
Standards/regulations	M12 connector IEC 61076-2-101
Signal type/category	Ethernet CAT5 (IEC 11801), 1 Gbps
Status display	No
Overvoltage category	II
Degree of pollution	3
Connection method	Insulation displacement connection
Conductor cross section	0.14 mm <sup>2</sup> ... 0.34 mm <sup>2</sup>
Conductor cross section AWG	26 ... 22
Wire diameter incl. insulation	≤ 1.6 mm
Frequency of connections between conductors of the same cross section	≤ 10
Insertion/withdrawal cycles	≥ 100
Torque	0.4 Nm (M12 knurl)
	0.8 Nm (Connector with coupling sleeve)
	3 Nm (Pressure nut with coupling sleeve)
Assembly instructions	The connector pin assignment can be rotated 45° to the cable outlet

#### Material

Flammability rating according to UL 94	V0
Contact material	CuSn
Contact surface material	Ni/Au
Contact carrier material	PA 66
Material of grip body	Zinc die-cast, nickel-plated
Material, knurls	Nickel-plated brass
Sealing material	Neoprene

#### Standards and Regulations

Standard designation	M12 connector
Standards/regulations	IEC 61076-2-101
Flammability rating according to UL 94	V0

### Classifications

#### eCl@ss

eCl@ss 4.0	27250313
eCl@ss 4.1	27250313
eCl@ss 5.0	27143423
eCl@ss 5.1	27143423

# Bus system connector - SACC-M12MR-8Q SH - 1553653

## Classifications

### eCl@ss

eCl@ss 6.0	27143423
eCl@ss 7.0	27449001
eCl@ss 8.0	27440104
eCl@ss 9.0	27440102

### ETIM

ETIM 3.0	EC002062
ETIM 4.0	EC002062
ETIM 5.0	EC002062

### UNSPSC

UNSPSC 6.01	31251501
UNSPSC 7.0901	31251501
UNSPSC 11	31251501
UNSPSC 12.01	31251501
UNSPSC 13.2	31251501

## Approvals

### Approvals

---

Approvals

EAC / EAC

---

Ex Approvals

---

Approvals submitted

---

### Approval details

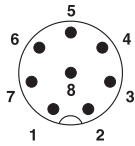
EAC
-----

EAC
-----

## Drawings

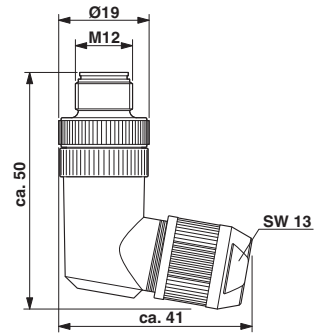
## Bus system connector - SACC-M12MR-8Q SH - 1553653

Schematic diagram



Pin assignment M12 plug, 8-pos., view plug side

Dimensional drawing



M12 x 1 male plug, angled, shielded