


## SACC-M12FR-4CON-PG7-M

Order No.: 1681143

<http://eshop.phoenixcontact.net/phoenix/treeViewClick.do?UID=1681143>Sensor/actuator connector, female, angled, 4-pos., M12, A-coded,  
screw connection, metal knurl, cable screw connection Pg7

### Commercial data

EAN	 4 017918 157401
Pack	1 pcs.
Customs tariff	85366990
Gross weight in pieces	0.026 KG
Net weight per piece (exclusive packing)	0.02571 KG
Catalog page information	Page 71 (PC-2011)

### Product notes

WEEE/RoHS-compliant since:  
11/23/2005

<http://www.download.phoenixcontact.com>  
Please note that the data given here has been taken from the online catalog. For comprehensive information and data, please refer to the user documentation. The General Terms and Conditions of Use apply to Internet downloads.

### Technical data

#### General data

Rated current at 40°C	4 A
Rated voltage	250 V
Number of positions	4
Volume resistance	≤ 8 mΩ
Insulation resistance	≥ 100 MΩ

Ambient temperature (operation)	-40 °C ... 85 °C (Plug / socket)
<b>General characteristics</b>	
Standards/regulations	M12 plug-in connector IEC 61076-2-101
Coding	A - standard
Surge voltage category	II
Pollution degree	3
Degree of protection	IP67
Insertion/withdrawal cycles	≥ 100
Torque	0.4 Nm (M12 knurl) 0.2 Nm (Screw terminal blocks) 0.8 Nm ... 1 Nm (Pressure screw)
Contact material	CuZn
Contact surface material	CuSnZn
Contact carrier material	PA 66
Material of grip body	PBT
Material, knurls	Zinc die-cast, nickel-plated
Sealing material	NBR
Connection method	Screw connection
Conductor cross section	0.25 mm <sup>2</sup> ... 0.75 mm <sup>2</sup>
AWG conductor cross section	24 ... 18
Assembly instructions	The connector pin assignment can be rotated 90° to the cable outlet  The wires can be connected both with ferrules and without ferrules
External cable diameter	4 mm ... 6 mm
Status display	No

#### Certificates / Approvals



Certification

cULus Recognized, GOST

Certifications applied for:

Certification Ex:

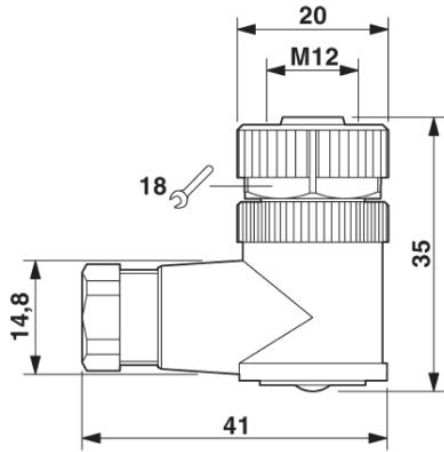
## Accessories

Item	Designation	Description
<b>Cable/conductor</b>		
1457461	SAC-4P-100,0-186/0,75	Cable ring, PUR/PVC black, 4-pos., conductor colors: brown / white / blue / black, cable length: 100 m
1501692	SAC-4P-100,0-PUR/0,25	Cable ring, PUR halogen-free black, 4-pos., conductor colors: brown / white / blue / black, cable length: 100 m
1501663	SAC-4P-100,0-PUR/0,34	Cable ring, PUR halogen-free black, 4-pos., conductor colors: brown / white / blue / black, cable length: 100 m
<b>General</b>		
1436505	SACC-M12-SET/2,5-3,5	Sensor/actuator connector, accessories, pressure screw and Pg7 seal, for unshielded M12 connector, cable diameter 2.5 mm - 3.5 mm
<b>Protection and sealing elements</b>		
1430899	PROT-M12 MS-PA-CHAIN	M12 sealing cap with fixing band, for sensor cables, for free M12 sockets
<b>Tools</b>		
1208445	SACC BIT M12-D20	Nut for assembling SACC M12 connectors for free assembly, excluding M12 connectors with QUICKON fast connection technology, for 4 mm hexagonal drive
1208429	TSD 04 SAC	Torque screwdriver, with preset torque of 0.4 Nm and 4 mm hexagonal drive for M12 connectors
1212224	TSD-M 1,2NM	Torque screw driver, accuracy as per EN ISO 6789 standard, adjustable from 0.3 - 1.2 Nm
1212600	TSD-M SAC-BIT ADAPTER	Adapter bit for TSD-M...torque tools, E6.3-1/4" drive with 4 mm hexagon to accommodate SAC bits

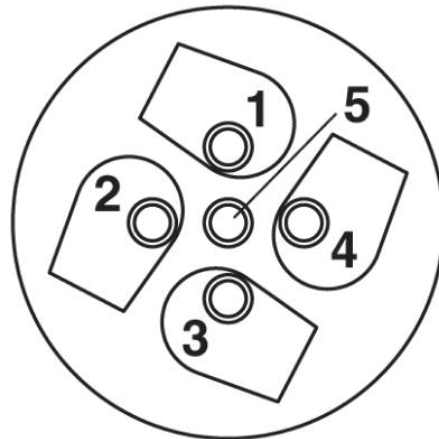
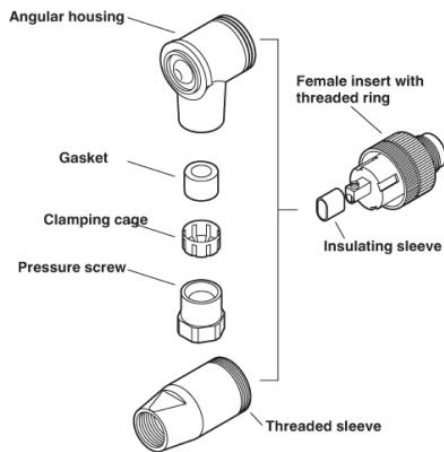
Diagrams/Drawings

Dimensioned drawing

M12 x 1 socket, angled

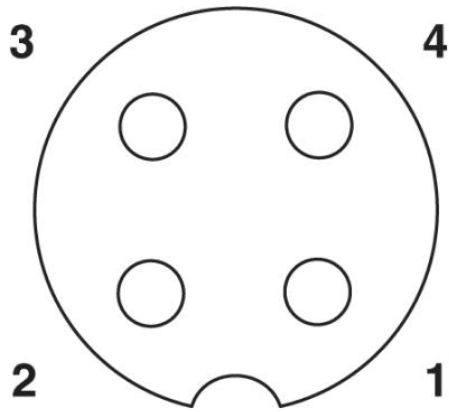


Schematic diagram



Male/Female M12

Cable connection side M12 (screw connection)



Pin assignment M12 socket, 4-pos., A-coded, view female side

**Address**

PHOENIX CONTACT Ltd  
Halesfield 13  
Telford Shropshire TF7 4PG,GB  
Phone 01952 681 700  
Fax 01952 681 799  
<http://www.phoenixcontact.co.uk>



© 2013 Phoenix Contact  
Technical modifications reserved;