


SACC-E-M12MS-8CON-PG9/0,5

Order No.: 1513774



<http://eshop.phoenixcontact.net/phoenix/treeViewClick.do?UID=1513774>

Sensor/Actuator flush-type plug, 8-pos., M12, A-coded, front/screw mounting with Pg9 thread, with 0.5 m TPE litz wire, 8x 0.25 mm²

Commercial data	
EAN	 4 017918 914684
Pack	1 pcs.
Customs tariff	85444290
Gross weight in pieces	0.0239 KG
Net weight per piece (exclusive packing)	0.0233 KG
Catalog page information	Page 27 (PC-2011)

Product notes

WEEE/RoHS-compliant since:
02/23/2006



<http://www.download.phoenixcontact.com>
Please note that the data given here has been taken from the online catalog. For comprehensive information and data, please refer to the user documentation. The General Terms and Conditions of Use apply to Internet downloads.

Technical data

General data	
Rated current at 40°C	2 A
Rated voltage	30 V
Number of positions	8
Volume resistance	≤ 3 mΩ
Insulation resistance	≥ 100 MΩ

Length of cable	0.5 m
Ambient temperature (operation)	-25 °C ... 85 °C (Plug / socket)

General characteristics

Standards/regulations	M12 plug-in connector IEC 61076-2-101
Coding	A - standard
Surge voltage category	II
Pollution degree	3
Degree of protection	IP67
Insertion/withdrawal cycles	≥ 100
Contact material	CuZn
Contact surface material	Ni/Au
Contact carrier material	PA66
Material, knurls	Zinc die-cast, nickel-plated
Sealing material	NBR
Mounting type	Front mounting Pg9
Connection method	Individual wires
Status display	No

Conductor data

Cable type	TPE litz wire
Conductor cross section	0.25 mm ²
AWG signal line	24
Conductor structure signal line	14x 0.15 mm
Core diameter including insulation	1.15 mm ±0.07 mm
Thickness, insulation	0.21 mm
Wire colors	white, brown, green, yellow, gray, pink, blue, red
Material conductor insulation	TPE
Conductor material	Tin-plated Cu litz wires
Insulation resistance	≥ 20 MΩ*km
Conductor resistance	≤ 80 mΩ/m
Nominal voltage, conductor	300 V
Test voltage, conductor	2000 V AC
Ambient temperature (operation)	-25 °C ... 90 °C (cable, fixed installation)

Certificates / Approvals



Certification GOST, UL Recognized

Certifications applied for:

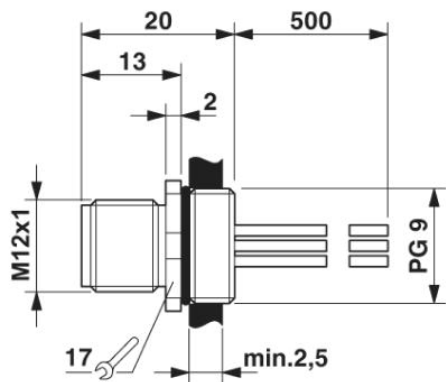
Certification Ex:

Accessories

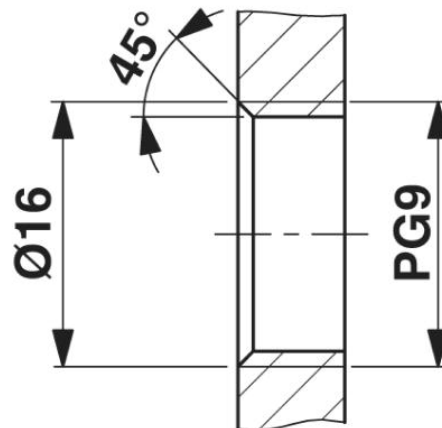
Item	Designation	Description
Assembly		
1504084	SACC-E-MU-PG9	Flat nut with Pg9 thread

Diagrams/Drawings

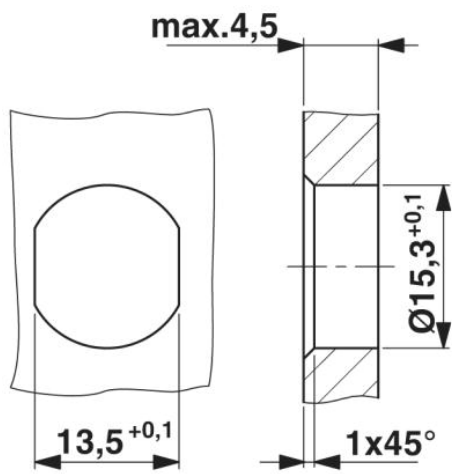
Dimensioned drawing



M12 flush-type plug

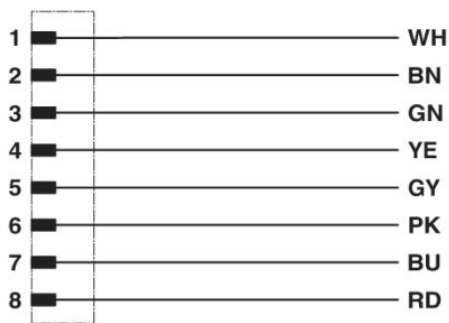


Housing cutout for Pg9 fastening thread, mounting panel with thread



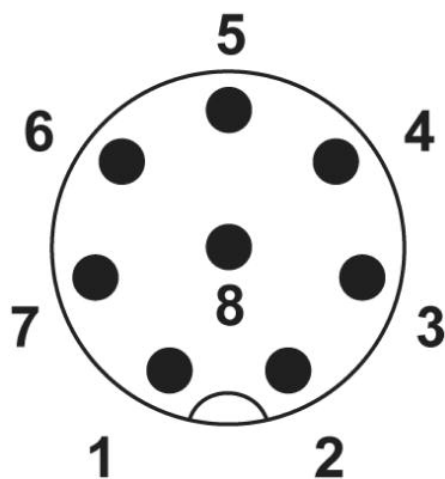
Housing cutout for Pg9 fastening thread, mounting panel with feed-through hole (alternatively with surface as protection against rotation)

Circuit diagram



Contact assignment of the M12 plug and the M12 socket

Schematic diagram



Pin assignment M12 plug, 8-pos., view plug side

Address

PHOENIX CONTACT Ltd
Halesfield 13
Telford Shropshire TF7 4PG,GB
Phone 01952 681 700
Fax 01952 681 799
<http://www.phoenixcontact.co.uk>



© 2013 Phoenix Contact
Technical modifications reserved;