

S4E400-BP02-31

AC axial fan with guard grille for full nozzle sickled blades (S series)



ebm-papst Mulfingen GmbH & Co. KG

Bachmühle 2

74673 Mulfingen

Phone: +49 7938 81-0

Fax: +49 7938 81-110

www.ebmpapst.com

info1@de.ebmpapst.com

Nominal data

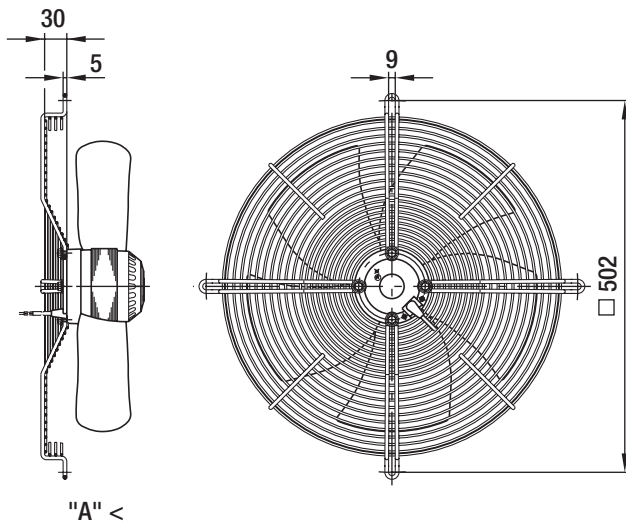
Type	S4E400-BP02-31		
Motor	M4E074-EI		
Phase		1~	1~
Nominal voltage	[V]	230	230
Frequency	[Hz]	50	60
Type of data definition		rfa	rfa
Valid for approval / standard		CE	CE
Speed	[min ⁻¹]	1430	1700
Power input	[W]	160	240
Current draw	[A]	0,73	1.06
Motor capacitor	[µF]	6	6
Capacitor voltage	[VDB]	400	400
Max. back pressure	[Pa]	150	75
Max. ambient temperature	[°C]	40	40
Air flow	[m ³ /h]	4235	4950
Back pressure	[Pa]	0	0
Sound pressure level	[dB(A)]	69	73

ml = max. load · me = max. efficiency · rfa = running at free air · cs = customer specs · cu = customer unit
Subject to alterations

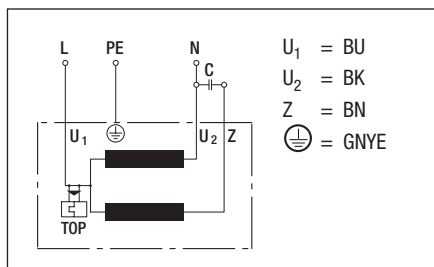
Technical features

Size	400 mm
Operation mode	Continuous operation (S1)
Direction of rotation	Clockwise, seen on rotor
Direction of air flow	"A"
Insulation class	"B"
Cable exit	Variable
Bearing motor	Ball bearing
Mass	4.2 kg
Material of electronics housing	Rotor: Coated in black
Material of impeller	Sheet steel, coated in black
Motor protection	Thermal overload protector (TOP) wired internally
Product conforming to standard	CE
Option	With terminal box
Number of blades	5
Type of protection	IP 44 - depending on position
Protection class	I
Approval	CCC

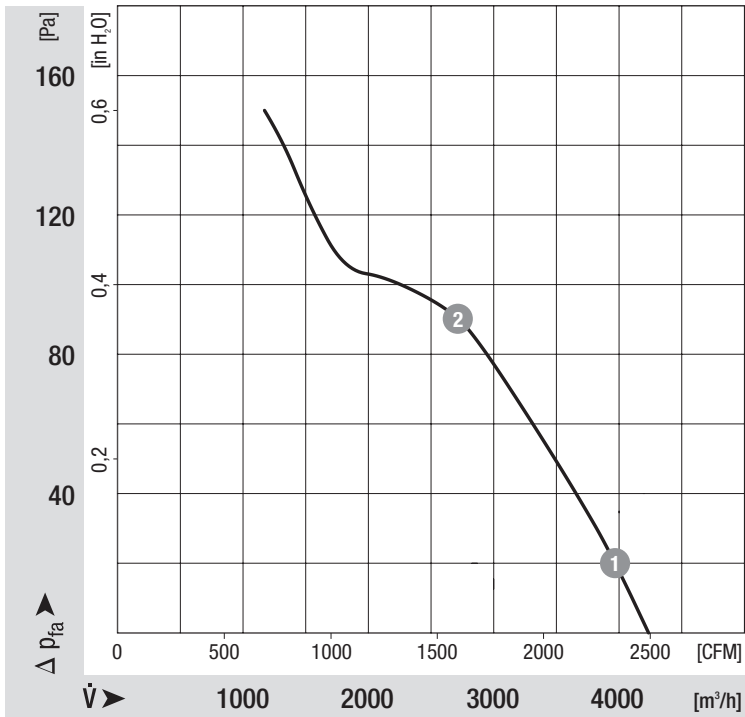
Product drawing



Connection screen



Charts: Air flow 50 Hz



Measured values

	n	P ₁	I
	[min ⁻¹]	[W]	[A]
1	1430	172	0.78
2	1395	210	0.93

Charts: Air flow 60 Hz

