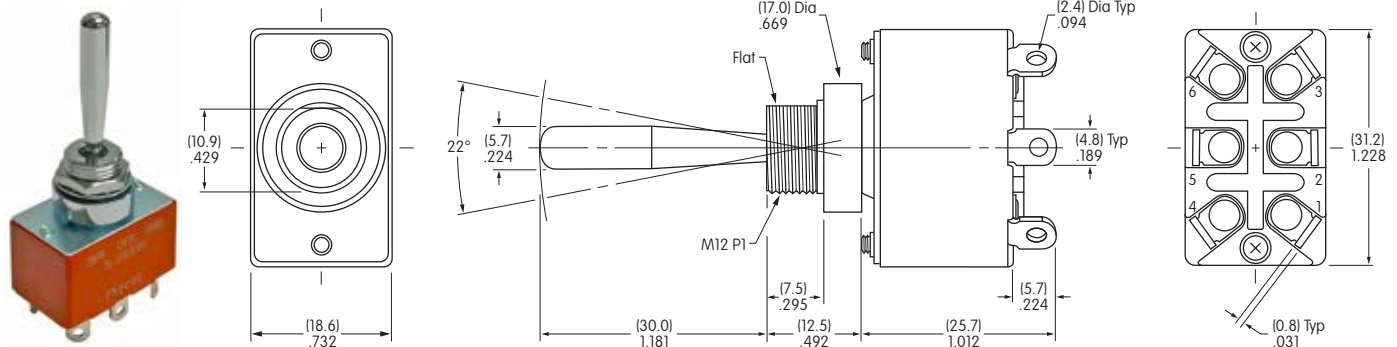


S28AW30

Bushing Mount • Double Pole • Solder Lug

Dimensions in mm/inch

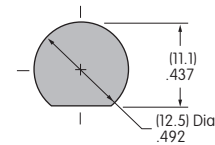


BASE SWITCH

PANEL CUTOUT

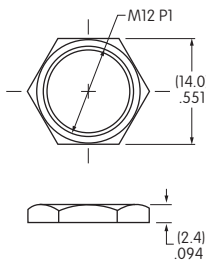
Part Number
S28AW

Maximum Panel Thickness:
.158" (4.0mm) Maximum



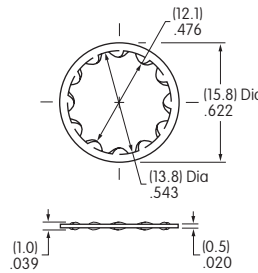
STANDARD HARDWARE

Hexagon Face Nut



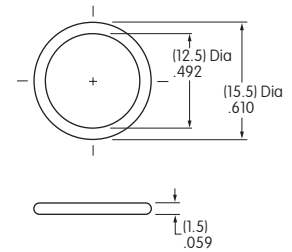
1 included with each switch
Material: Brass with tin-cobalt alloy plating

Internal Tooth Lockwasher



1 included with each switch
Material: Phosphor bronze with chrome plating

AT537 O-ring



1 included with each switch
Material: Nitrile butadiene rubber

POLE & CIRCUIT

		Toggle Position/ Connected Terminals () = Momentary				Throw & Schematics
Pole	Model	Down	Center	Up		
DP	S28AW	(ON) 2-3 5-6	OFF	(ON) 2-1 5-4	DPDT	

CONTACT MATERIALS & RATINGS

Silver over Silver

Power Level

15A @ 125V AC & 6A @ 250V AC

Base Switch Specifications

Electrical Capacity (Resistive & Inductive Load)

Power Level: 15A @ 125V AC & 6A @ 250V AC; 20A @ 30V DC

Other Ratings

Contact Resistance: 10 milliohms maximum
Insulation Resistance: 1,000 megohms minimum @ 500V DC
Dielectric Strength: 2,000V AC minimum for 1 minute minimum
Mechanical Life: 30,000 operations minimum
Electrical Life: 25,000 operations minimum
Angle of Throw: 22°

Materials & Finishes

Toggle: Brass with chrome plating
Bushing: Brass with chrome plating
Case: Phenolic resin
Case Cover: Steel with zinc plating
Movable Contactor: Copper with silver plating
Movable Contacts: Silver alloy capped on copper with silver plating
Stationary Contacts: Silver alloy capped on copper with silver plating
Terminals: Brass with tin plating

Environmental Data

Operating Temperature Range: -30°C through +70°C (-22°F through +158°F)
Front Panel Sealing: IP67 of IEC 60529, dust tight & water protected during temporary immersion

Installation

Mounting Torque: 1.47Nm (13 lb•in) for single nut
Soldering Time & Temperature: Manual Soldering: 390°C maximum for 4 seconds maximum, 2 cycles