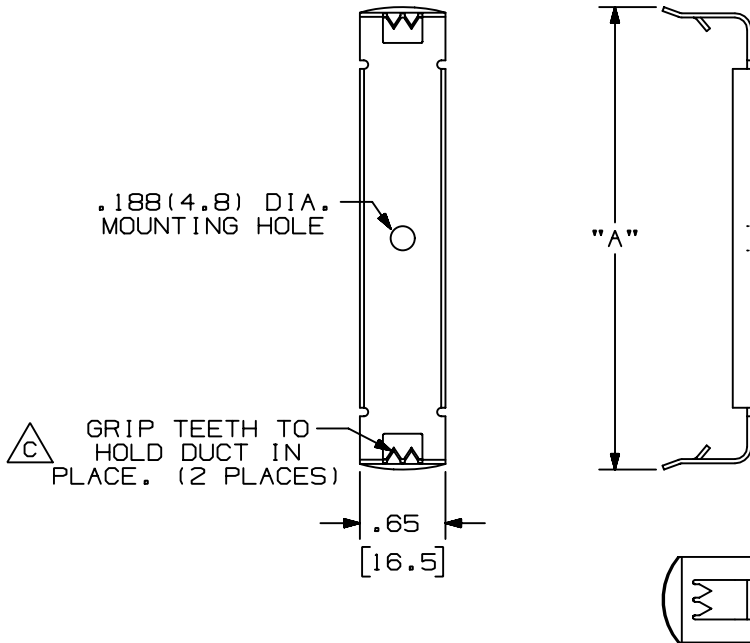


THIS COPY IS PROVIDED ON A RESTRICTED BASIS AND IS NOT TO BE USED IN ANY WAY DETRIMENTAL TO THE INTERESTS OF PANDUIT CORP.



PANDUIT PART NO. *	DUCT WIDTH APPLIED TO	"A"	#8-32 X 1/4" SCREW INCLUDED	WEIGHT PER 100 PIECES
S1F	1.00 (25.4)	1.51 (38.4)	YES	1.3 LB (576 g)
S1.5F	1.50 (38.1)	2.01 (51.1)	YES	1.7 LB (758 g)
S2F	2.00 (50.8)	2.51 (63.8)	YES	2.0 LB (923 g)
S3F	3.00 (76.2)	3.51 (89.2)	YES	2.8 LB (1291 g)
S4F	4.00 (101.6)	4.51 (114.6)	YES	3.6 LB (1629 g)

NOTES:

- * 1. SEE CURRENT CATALOG FOR ADDITIONAL PART NUMBER SUFFIXES TO INDICATE COLOR AND OR PACKAGE QUANTITY.
- 2. ONE SCREW PROVIDED FOR MOUNTING BRACKET AS NOTED IN CHART.
- 3. DIMENSIONS IN PARENTHESES ARE IN METRIC.

										CAD FILENAME/LAYERS		D34301_SNS_F_CLIP_S_C_01A.prt	
										<h1>PANDUIT</h1> CORP. TINLEY PARK, ILLINOIS			
										WIRING DUCT - SNAP CLIP MOUNTING BRACKET CUSTOMER DRAWING			
										UNLESS OTHERWISE SPECIFIED, DIMENSIONAL TOLERANCES ARE:		UNLESS OTHERWISE SPECIFIED, ALL DIMENSIONS ARE GIVEN IN INCHES, THIRD ANGLE PROJECTION.	
--	-----	---	---	C. CHANGED NOTE	-----	--	--			(.X) ±	(.XXX) ±	.010 (.3)	
1	6/3/04	JCST	JKG	B. REMOVED SNS*F A. CHANGED TITLE	34301-06	HIW	HIW			DRAWN BY DW	MAT'L:		SCALE NONE
R	5/5/93	DW	KRKE	RELEASED TO PRODUCTION	34301-06	CEF	CEF			DATE 5/5/93	21 GA. C.R.S.		DRAWING NO. 34301-06
REV	DATE	BY	CHK	DESCRIPTION	ECN	R	CUST	SUP		CHK'D KRKE			DWG A SIZE