

# Customer Information Sheet

DRAWING No.: S1951-46R

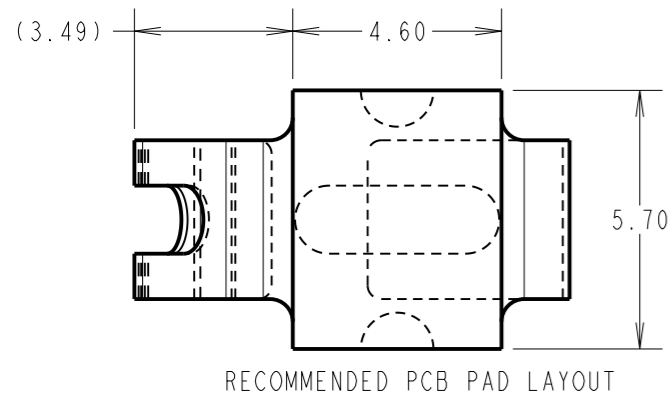
IF IN DOUBT - ASK

©

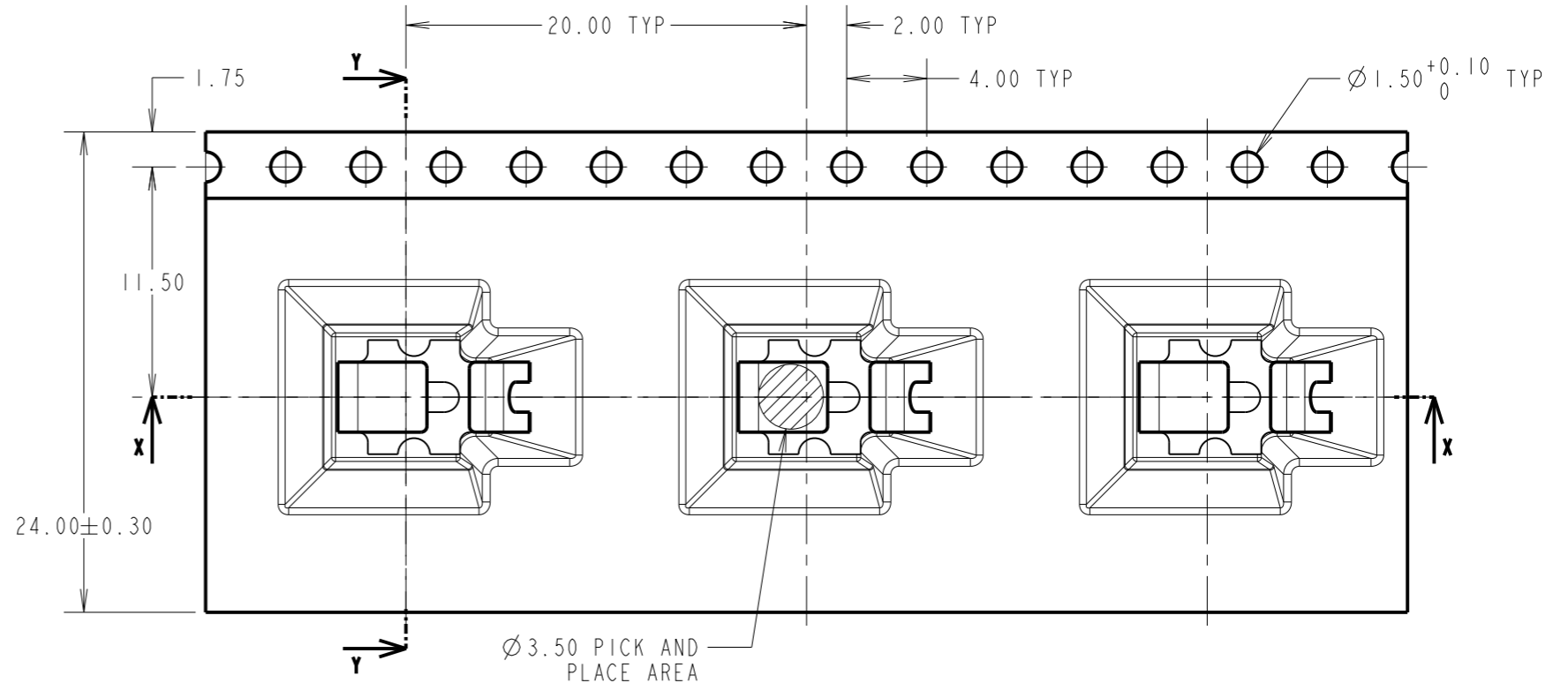
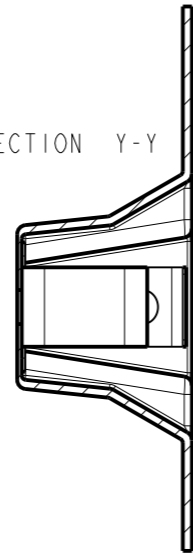
NOT TO SCALE

THIRD ANGLE PROJECTION

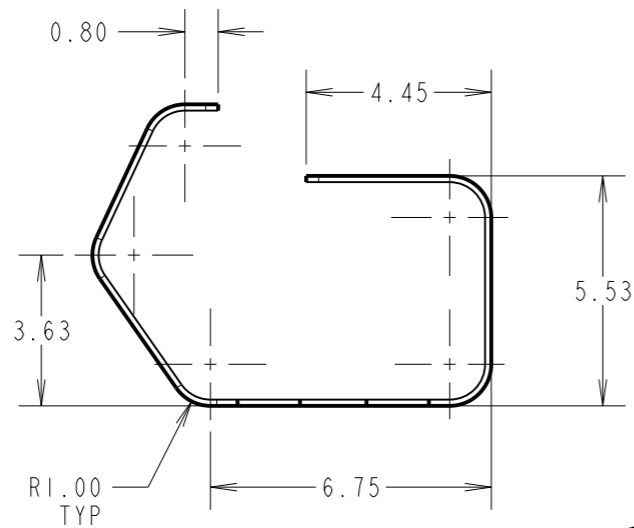
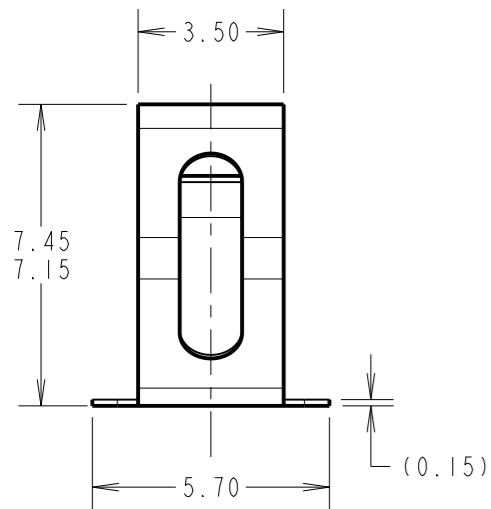
ALL DIMENSIONS IN mm



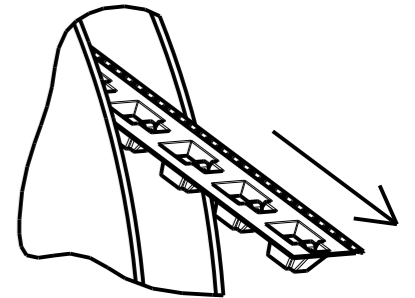
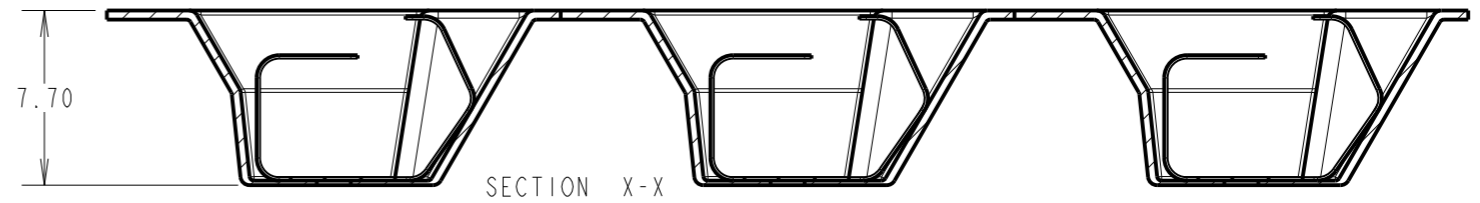
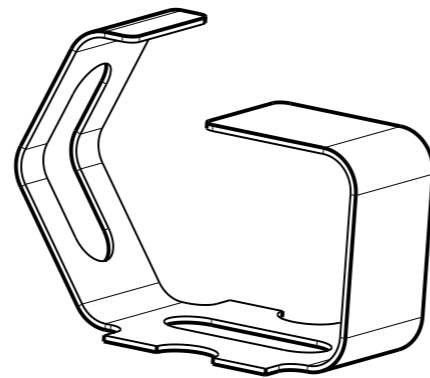
SECTION Y-Y



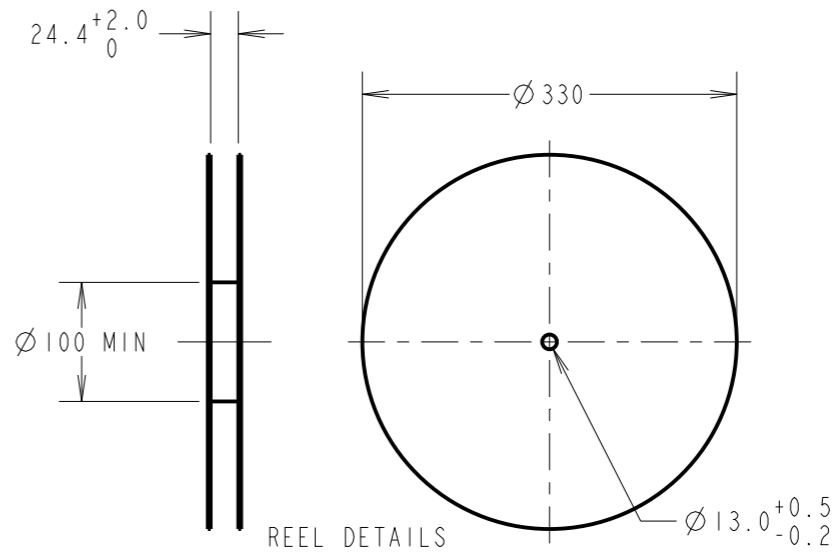
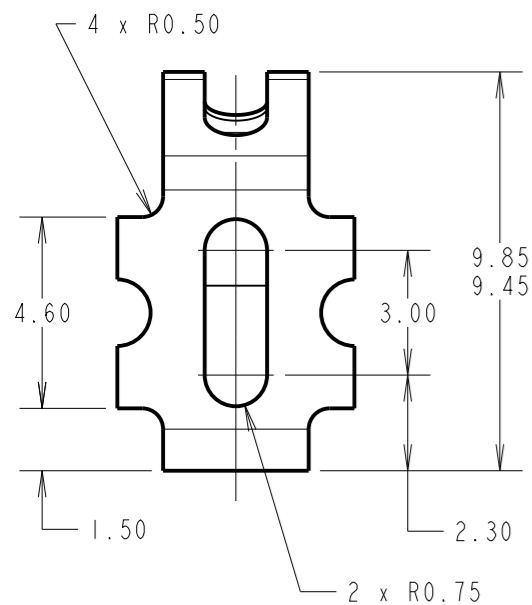
- NOTES:  
 1. QUANTITY OF COMPONENTS PER REEL = 350.  
 2. THIS PRODUCT IS TAPED AND REELED IN ACCORDANCE WITH EIA-481 (ELECTRONICS INDUSTRIES ASSOCIATION).



COMPONENT DETAILS



FINISHED REELING DIRECTION



RTP	8	14.01.22	31314
NAME	ISS.	DATE	CN/CO
APPROVED: R.PORTLOCK			
CHECKED: M.RUDKIN			
DRAWN: S.BENNETT			
CUSTOMER REF.:			
ASSEMBLY DRG:			

**HARWIN**  
 www.harwin.com  
 technical@harwin.com

THIS DRAWING AND ANY INFORMATION OR DESCRIPTIVE MATTER SET OUT HEREON ARE CONFIDENTIAL AND COPYRIGHT PROPERTY OF THE HARWIN GROUP AND MUST NOT BE DISCLOSED, LOANED, COPIED OR USED FOR MANUFACTURING, TENDERING OR FOR ANY OTHER PURPOSE WITHOUT THEIR WRITTEN PERMISSION.

TOLERANCES  
 X. = ±1mm  
 X.X = ±0.50mm  
 X.XX = ±0.20mm  
 X.XXX = ±0.01mm  
 ANGLES = ±5°  
 UNLESS STATED

MATERIAL: SEE ABOVE  
 FINISH: SEE ABOVE  
 S/AREA: mm<sup>2</sup>

TITLE:  
 MULTI-DIRECTIONAL SHIELD FINGER  
 IN TAPE AND REEL

DRAWING NUMBER:  
**S1951-46R**

# Customer Information Sheet

DRAWING No.: S1951-46R

IF IN DOUBT - ASK

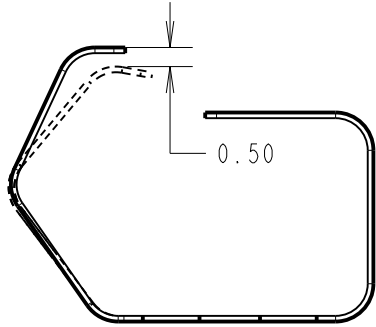
©

NOT TO SCALE

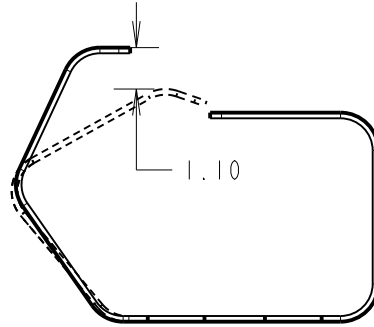
THIRD ANGLE PROJECTION

ALL DIMENSIONS IN mm

## S1951-46R DEFLECTION FROM ABOVE

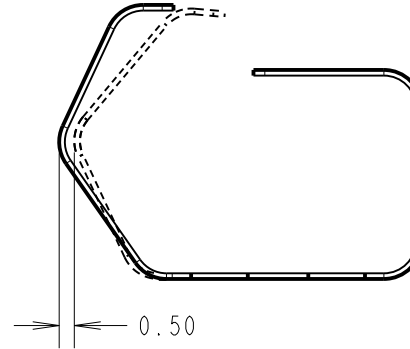


RECOMMENDED VERTICAL WORKING  
DEFLECTION = 0.50mm,  
MINIMUM FORCE OF 1.2N

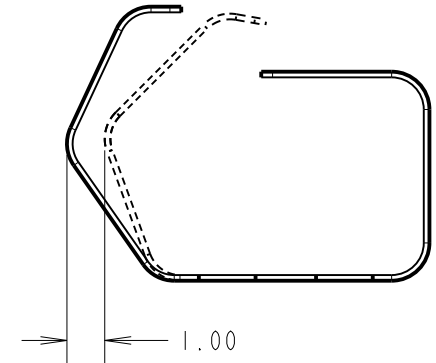


MAXIMUM RECOMMENDED  
DEFLECTION = 1.10mm

## S1951-46R DEFLECTION FROM FRONT



RECOMMENDED HORIZONTAL WORKING  
DEFLECTION = 0.50mm  
MINIMUM FORCE OF 1.2N



MAXIMUM RECOMMENDED  
DEFLECTION = 1.00mm

COMPONENT SPECIFICATION:  
MATERIAL = BERYLLIUM COPPER  
FINISH = 3µm 100% TIN OVER 2µm NICKEL  
ELECTRICAL:  
CURRENT RATING = 7A MAX  
CONTACT RESISTANCE = 20mΩ MAX  
MECHANICAL:  
DURABILITY = 5000 CYCLES

RTP	8	14.01.22	31314
NAME	ISS.	DATE	CN/CO
APPROVED:		R.PORTLOCK	
CHECKED:		M.RUDKIN	
DRAWN:		S.BENNETT	
CUSTOMER REF.:			
ASSEMBLY DRG:			

# HARWIN

www.harwin.com  
technical@harwin.com

THIS DRAWING AND ANY  
INFORMATION OR DESCRIPTIVE  
MATTER SET OUT HEREON ARE  
CONFIDENTIAL AND COPYRIGHT  
PROPERTY OF THE HARWIN  
GROUP AND MUST NOT BE  
DISCLOSED, LOANED, COPIED  
OR USED FOR MANUFACTURING,  
TENDERING OR FOR ANY  
OTHER PURPOSE WITHOUT  
THEIR WRITTEN PERMISSION.

TOLERANCES  
X. = ±1mm  
X.X = ±0.50mm  
X.XX = ±0.20mm  
X.XXX = ±0.01mm  
ANGLES = ±5°  
UNLESS STATED

MATERIAL:

SEE ABOVE

FINISH:

SEE ABOVE

S/AREA:

mm<sup>2</sup>

TITLE:

MULTI-DIRECTIONAL SHIELD FINGER  
IN TAPE AND REEL

DRAWING NUMBER:

**S1951-46R**

SHT  
3  
OF  
3