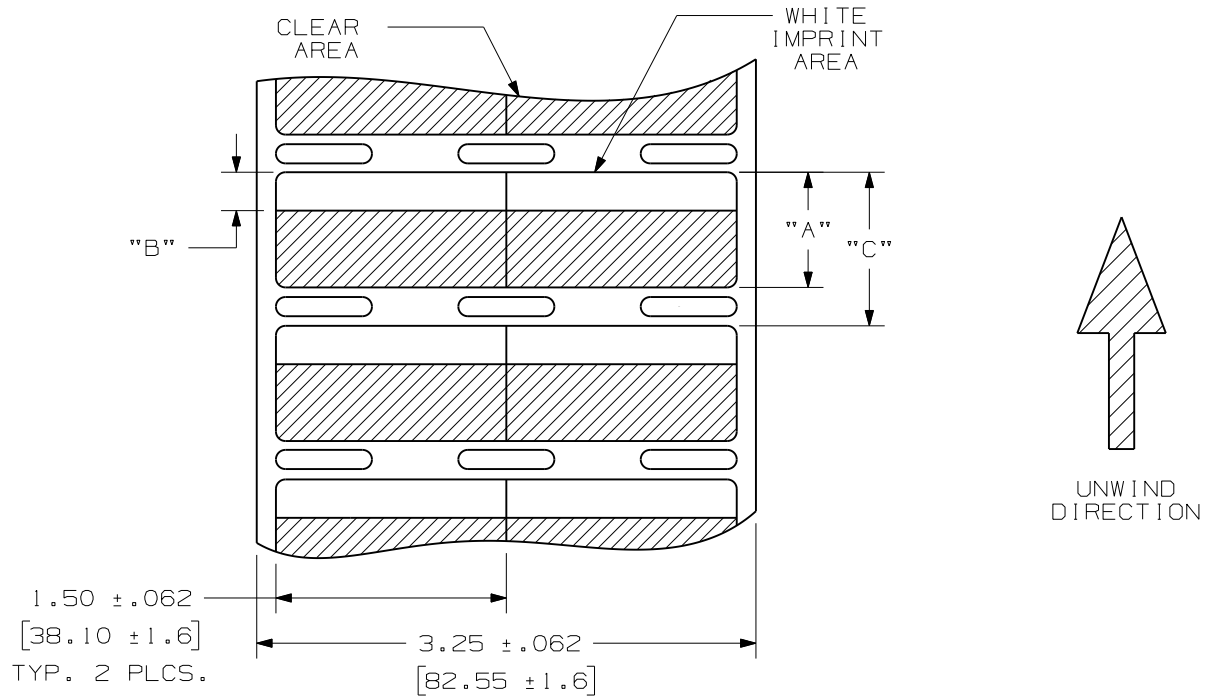


THIS COPY IS PROVIDED ON A RESTRICTED BASIS AND IS NOT TO BE USED IN ANY WAY DETRIMENTAL TO THE INTERESTS OF PANDUIT CORP.

PART NUMBER	MATERIAL	"A" HEIGHT +/- .062	IMPRINT AREA "B" +/- .062	VERTICAL REPEAT "C" +/- .062	LABELS PER ROW	STANDARD PKG. QTY.
S150X225TAT	GMT1	2.25 [ 57.2 ]	0.75 [ 19.1 ]	2.50 [ 63.5 ]	2	5000
S150X150VATY	GMV16	1.50 [ 38.1 ]	0.50 [ 12.7 ]	1.75 [ 44.45 ]		5000
S150X225VATY	OR	2.25 [ 57.2 ]	0.75 [ 19.1 ]	2.50 [ 63.5 ]		5000
S150X400VATY	GMV17	4.00 [ 101.6 ]	1.00 [ 25.4 ]	4.25 [ 114.3 ]		2500



NOTE:  
1. MILLIMETER ARE IN [ ].



CAD FILENAME/LAYERS  
I00701MV\_DC\_C10438/07G

REV	DATE	BY	CHK	DESCRIPTION	ECN	R	CUST	SUP				
6	10/25/11	RVU		"GMV16 OR GMV17" WAS "GMV".	6548	R						
5	12/10/09	RVU	MSAD	ADD +/- .062 AND UPDATE ALL STANDARD TOLERANCES.	5469	R						
4	6/23/08	RVU	MSAD	REMOVED NOTES 2. ADD TOL. ON TITLE AREA. 2 DECIAL PLCS.	5469	R						
3	5/14/08	RVU	RVU	CHANGE FORMAT 'B' TO 'A'.	5440	R						
2	4/18/08	RVU	DWY	GMV16 WAS GMV3. CHANGE TOL. FROM +/- .031 TO +/- .050. TITLE TOL. TO INCREASE WITH +/- .050 AND .010.	5400	R						
1	5/25/07	RVU	DWY	ADDED NEW PART, S150X225TAT. FOR S150X400VATY, STD. PKG. QTY. WAS 5000.	5020	R						
0	8-4-06	RVU	DWY	DRAWING RELEASE.	4620	R						

**PANDUIT** CORP. TINLEY PARK, ILLINOIS

CUSTOMER DRAWING OPTIMUM SELF-LAM.  
S150X\*\*\*VATY  
THERMAL TRANSFER PRINTABLE LABELS

UNLESS OTHERWISE SPECIFIED,  
DIMENSIONAL TOLERANCES ARE:  
(.X) ± .12 (.XXX) ± .025  
(.XX) ± .062 ANGLES ±

DRAWN BY  
RVU

DATE  
8-4-06

CHK'D  
*[Signature]*

UNLESS OTHERWISE SPECIFIED,  
ALL DIMENSIONS ARE GIVEN  
IN INCHES, THIRD ANGLE PROJECTION.

SCALE  
NTS

DRAWING NO.  
C10438

DWG  
A  
SIZE