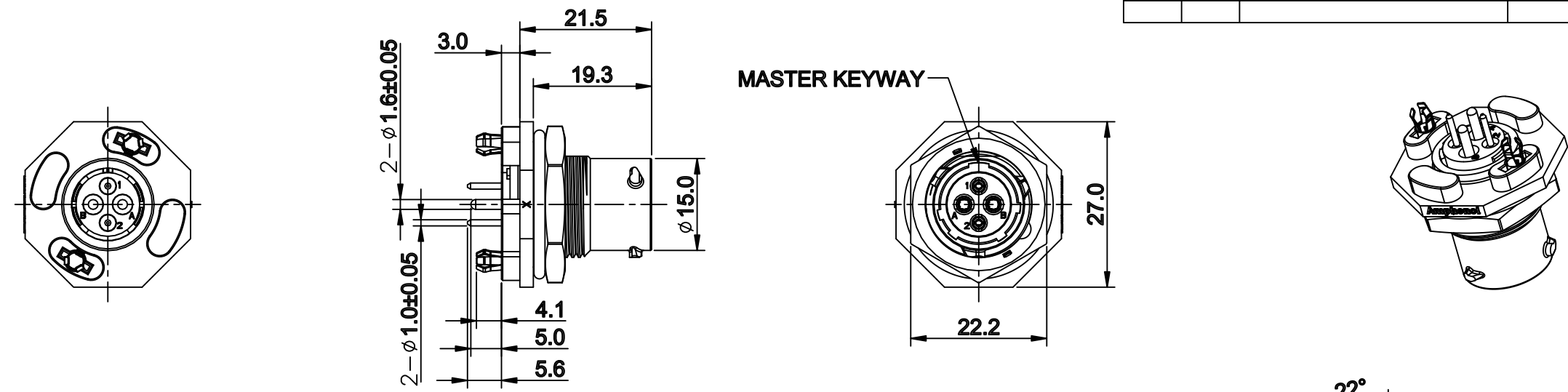
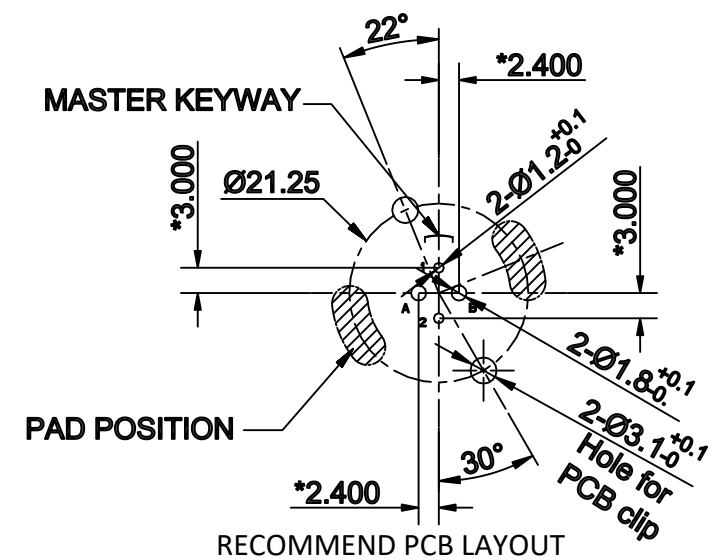
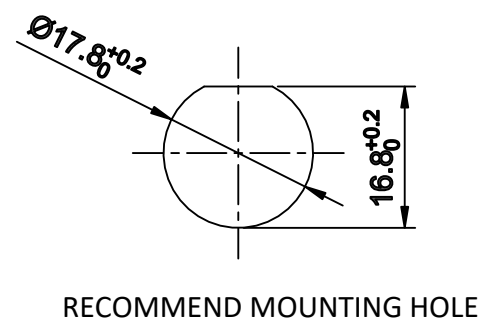


REVISIONS					
REV	ECO	DESCRIPTION	DATE	BY	APPR
A1	-	RELEASED DRAWING	Jul-30-2019	Ronald	Tommy



NOTES: (UNLESS OTHERWISE SPECIFIED)

- MATERIAL:
  - SHELL: THERMOPLASTIC, UL94 V-0.
  - INSERT: THERMOPLASTIC, UL94 V-0.
  - O-RING: SILICONE RUBBER.
  - SEAL GASKET: SILICONE RUBBER.
  - JAM NUT: ALUMINIUM ALLOY, BLACK ANODIZING.
  - CONTACT: COPPER ALLOY, GOLD PLATED.
  - LOCKING POSTS: COPPER ALLOY, TIN PLATED.
- SPECIFICATIONS:
  - RATED CURRENT:
    - 16# CONTACT 13A (MAX).
    - 20# MACHINED CONTACT 7.5A (MAX).
  - RATED VOLTAGE: 500V(AC/DC).
  - OPERATING TEMPERATURE: -40C - 125C.
  - DIELECTRIC WITHSTANDING VOLTAGE: LESS THAN 2 MILLIAMPS CURRENT LEAKAGE@2000 VOLTS AC.
  - INSULATION RESISTANCE: 5000 MEGOHMS MIN.
  - IP--CLASS: IP67 AND IP69K IN THE MATED CONDITION.
  - MATING CYCLES DURABILITY: 500 CYCLES MIN.
  - RoHS COMPLIANT.
- SUITABLE CONTACTS: 16# & 20# CONTACTS.
- ALL DIMENSIONS ARE FOR REFERENCE USE ONLY.



KEY	PART NUMBER
N	RTS710ND2S0332
W	RTS710WD2S0332
X	RTS710XD2S0332
Y	RTS710YD2S0332
Z	RTS710ZD2S0332

QUANTITY	PART NUMBER	DESCRIPTION	ITEM
<b>MATERIALS LIST</b>			
<small>UNLESS OTHERWISE SPECIFIED</small> 1) All dimensions are in metric(mm). 2) Tolerances are as follows: 1 PL DEC $\pm 0.30$ 2 PL DEC $\pm 0.15$ 3 PL DEC $\pm 0.08$ 3) Note reference =		SIGNATURES    DATE DRAWN: Ronald    Jul-30-2019 CHECKED: Martin    Jul-30-2019 ENGINEER: APPROVAL: Tommy    Mar-19-2018 CUSTOMER:	<b>Amphenol</b> Sine Systems - <a href="http://www.amphenol-sine.com">www.amphenol-sine.com</a> 44724 Morley Drive Clinton Township, MI 48036
<small>MATERIAL SPECIFICATIONS:</small>  <small>PROCESS SPECIFICATIONS:</small>  <small>NEXT ASSY:</small>		<small>THIS DRAWING IS SUPPLIED FOR INFORMATION ONLY. DESIGN FEATURES, SPECIFICATIONS AND PERFORMANCE DATA SHOWN HEREON ARE THE PROPERTY OF THE AMPHENOL CORPORATION. NO RIGHTS OF REPRODUCTION ARE IMPLIED. ALL DIMENSIONS ARE SUBJECT TO NORMAL MANUFACTURING VARIATIONS.</small>	ECOMATE® AQUARIUS™, RECEPTACLE, JAM NUT, SIZE 10, 4POS(2+2), SOCKET SIZE: <b>B</b> TYPE: <b>C-</b> DWG NO: RTS710*D2S0332    REVISION: <b>A1</b> SCALE: NONE    SHEET 1 OF 1

TITLE: ECOMATE RECEPTACLE, JAM NUT, SIZE 10, 4POS(2+2), SOCKET.    DWG NO: RTS710D2S0332    REV: A1    SH: 1    OF: 1