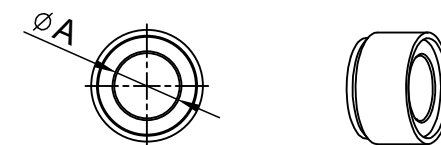
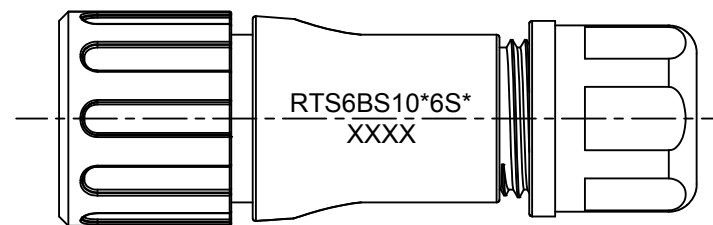
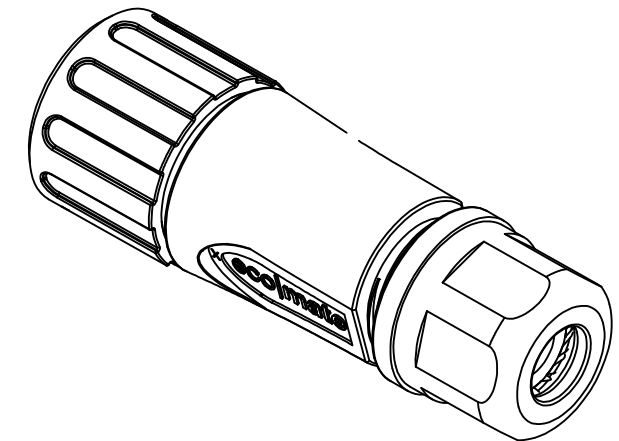
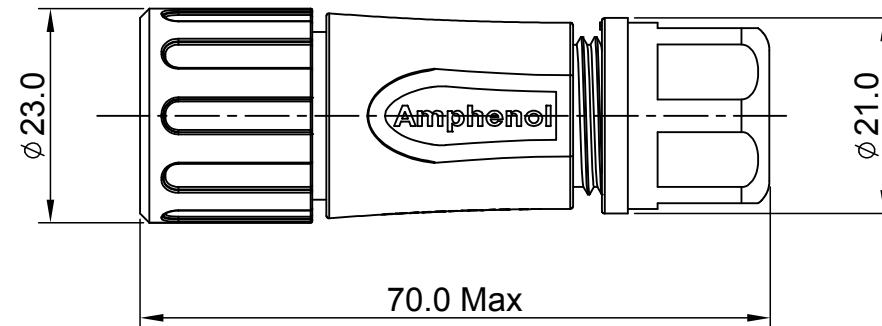
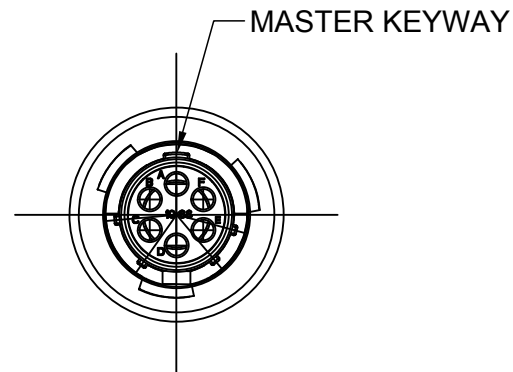


REVISIONS					
REV	ECO	DESCRIPTION	DATE	BY	APPR
A1	--	RELEASED DRAWING	Aug-10-2016	Ben	Tommy
A2	--	UPDATE NOTES	Jun-20-2017	Nick	Tommy



NOTES : (UNLESS OTHERWISE SPECIFIED)

- MATERIAL :
 SHELL : THERMOPLASTIC , UL94 V-0.
 INSERT : THERMOPLASTIC , UL94 V-0.
 COUPLING NUT : THERMOPLASTIC , UL94 V-0.
 O-RING : NBR/SILICONE RUBBER.
 WASHER : SILICONE RUBBER.
 BACK SHELL : THERMOPLASTIC , UL94 V-0.
 CLAMP NUT : THERMOPLASTIC , UL94 V-0.
 CLAMP RING : THERMOPLASTIC , UL94 V-0.
 CABLE SEAL : EPDM.

2. SPECIFICATIONS :

- RATED CURRENT :
 - STAMPED CONTACT 5A (MAX).
 - MACHINED CONTACT 7.5A (MAX).
- RATED VOLTAGE : 250V(AC/DC).
- OPERATING TEMPERATURE : SEE TABLE .
- DIELECTRIC WITHSTANDING VOLTAGE : LESS THAN 2 MILLIAMPS CURRENT LEAKAGE@1500 VOLTS AC.
- INSULATION RESISTANCE : 5000 MEGOHMS MIN.
- IP--CLASS : IP67 AND IP69K.
- MATING CYCLES DURABILITY : 500 CYCLES MIN.
- RoHS COMPLIANT.

3. SUITABLE CONTACTS : 20# CONTACT.

4. ALL DIMENSIONS ARE FOR REFERENCE USE ONLY.

DIMENSION ϕA	CABLE OD RANGE
7.0MM	4.0-6.5MM
8.8MM	5.0-8.8MM

KEY	PART NUMBER	
		-40°C ~ +105°C
N	RTS6BS10N6S	RTS6BS10N6S03

QUANTITY	PART NUMBER	DESCRIPTION	ITEM												
MATERIALS LIST															
UNLESS OTHERWISE SPECIFIED 1) All dimensions are in metric(mm). 2) Tolerances are as follows: 1 PL DEC ±0.30 Fractions ±1/64 2 PL DEC ±0.15 Angles ±1° 3 PL DEC ±0.08 3) Note reference = $\triangle x$		<table border="1"> <thead> <tr> <th>SIGNATURES</th> <th>DATE</th> </tr> </thead> <tbody> <tr> <td>DRAWN: Nick</td> <td>Jun-20-2017</td> </tr> <tr> <td>CHECKED: Tod</td> <td>Jun-20-2017</td> </tr> <tr> <td>ENGINEER:</td> <td></td> </tr> <tr> <td>APPROVAL: Tommy</td> <td>Jun-20-2017</td> </tr> <tr> <td>CUSTOMER:</td> <td></td> </tr> </tbody> </table>		SIGNATURES	DATE	DRAWN: Nick	Jun-20-2017	CHECKED: Tod	Jun-20-2017	ENGINEER:		APPROVAL: Tommy	Jun-20-2017	CUSTOMER:	
SIGNATURES	DATE														
DRAWN: Nick	Jun-20-2017														
CHECKED: Tod	Jun-20-2017														
ENGINEER:															
APPROVAL: Tommy	Jun-20-2017														
CUSTOMER:															
MATERIAL SPECIFICATIONS:		<table border="1"> <tr> <td colspan="2" style="text-align: center;">Amphenol</td> </tr> <tr> <td colspan="2">Sine Systems - www.amphenol-sine.com 44724 Morley Drive Clinton Township, MI 48036</td> </tr> <tr> <td colspan="2" style="text-align: center;">ECO-MATE, PLUG, BACK SHELL, SIZE 10,6POS, SOCKET.</td> </tr> </table>		Amphenol		Sine Systems - www.amphenol-sine.com 44724 Morley Drive Clinton Township, MI 48036		ECO-MATE, PLUG, BACK SHELL, SIZE 10,6POS, SOCKET.							
Amphenol															
Sine Systems - www.amphenol-sine.com 44724 Morley Drive Clinton Township, MI 48036															
ECO-MATE, PLUG, BACK SHELL, SIZE 10,6POS, SOCKET.															
PROCESS SPECIFICATIONS:		<table border="1"> <tr> <td>SIZE</td> <td>TYPE</td> <td>DWG NO:</td> <td>REVISION</td> </tr> <tr> <td>B</td> <td>C-</td> <td>RTS6BS10*6S*</td> <td>A2</td> </tr> </table>		SIZE	TYPE	DWG NO:	REVISION	B	C-	RTS6BS10*6S*	A2				
SIZE	TYPE	DWG NO:	REVISION												
B	C-	RTS6BS10*6S*	A2												
NEXT ASSY:		<table border="1"> <tr> <td>SCALE</td> <td>NONE</td> <td>SHEET</td> <td>1 OF 1</td> </tr> </table>		SCALE	NONE	SHEET	1 OF 1								
SCALE	NONE	SHEET	1 OF 1												

TITLE: ECO-MATE, PLUG, BACK SHELL, SIZE 10,6POS, SOCKET. DWG NO: RTS6BS10*6S* REV: A2 SH: 1 OF: 1