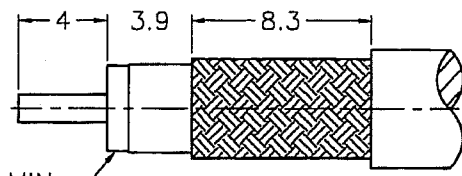
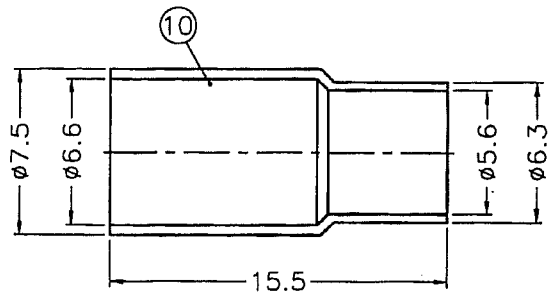
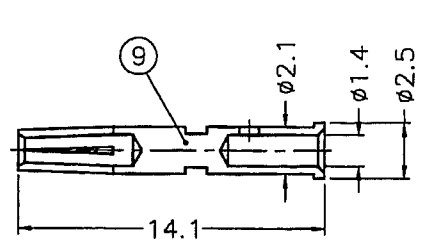
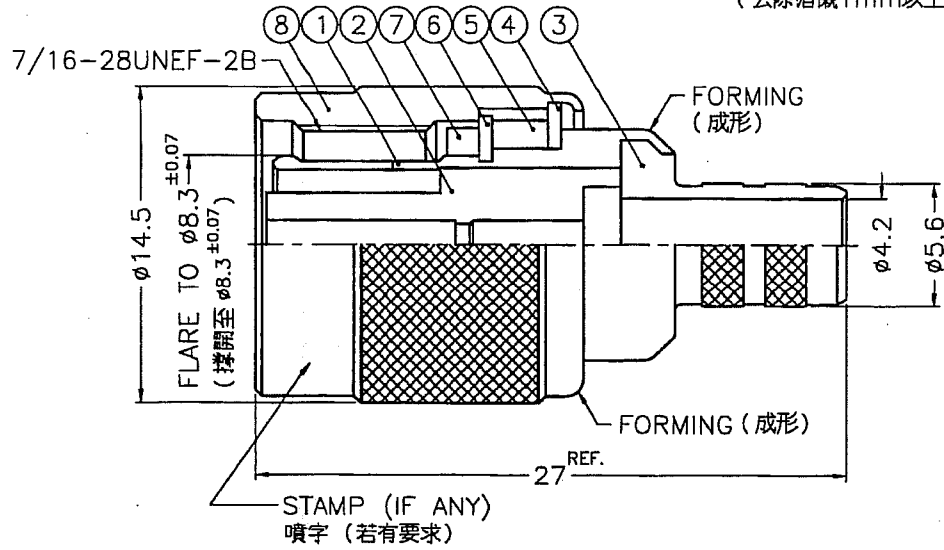


REVISIONS				
ISS	ZONE	DESCRIPTION	PER REQUEST	DATE



REMOVE FOIL 1mm MIN.  
(去除箔襯1mm以上)

RECOMMENDED  
CABLE STRIPPING DIM'S  
(建議剝線尺寸)



- NOTES: FINISH (PLATING THICKNESS IN MICRO-INCHES)
- BRASS PER QQ-B-626
  - BRASS PER QQ-B-613
  - NICKEL PL. 100 MIN. THICK OVER COPPER STRIKE
  - PHOSPHOR BRONZE PER QQ-B-750
  - GOLD PL. 3 MIN. THICK OVER NICKEL PL. 100 MIN. THICK OVER COPPER STRIKE
  - TEFLON MIL-P-19468

- CRIMPED FERRULE  
HEX CRIMP SIZE .255"
- CRIMPED CONTACT PIN  
HEX CRIMP SIZE .068"

10	FERRULE	NOTE 1	NOTE 3	1	FR-75/66-63/56 X155
9	CONTACT PIN	NOTE 4	NOTE 5	1	CP01ACT27A
8	SHELL	NOTE 1	NOTE 3	1	T50000-1-B
7	GASKET	RUBBER	RED	1	GS-105/BX15
6	RETAINER RING	NOTE 1	NOTE 3	1	B50000-5
5	RING	DELRIN	NATURAL	1	T50000-6-A
4	WASHER	NOTE 2	NOTE 3	1	WS-12B/9X08
3	BARREL	NOTE 1	NOTE 3	1	B50900-6-56/42
2	INSULATOR	NOTE 6	NATURAL	1	RB1121A1-3T-50
1	BODY	NOTE 1	NOTE 3	1	RB1121A1-2
NO.	DESCRIPTION	MATERIAL	FINISH	Q'TY	DRAWING NO.

DIMENSIONS ARE IN MILLIMETERS				PART NO.	
UNLESS OTHERWISE SPECIFIED TOLERANCES				APPROVED	DATE
0.5-6	= ±0.2			<i>Carol</i>	04-07-04'
6-30	= ±0.4			CHECKED	DATE
30-120	= ±0.6			<i>Carol</i>	04-07-04'
120-315	= ±1			DRAWN	DATE
315-1000	= ±1.6			<i>Angela W</i>	04-07-04'
1000-2000	= ±2.4				
SCALE	3/1	ISSUE	A1	FILE NO.	F:\DWG\RT\1121A1\H155-50\NT3G

<b>Amphenol</b>	
Danbury, CT, USA - Tainan, Taiwan - Shenzhen, China	
TITLE	TNC REVERSE POLARITY CRIMP PLUG
DRAWING NO.	RT1121A1-NT3G-H155-50
ITEM NO.	521121AAA2NA5F

7RD-DR (103) 8