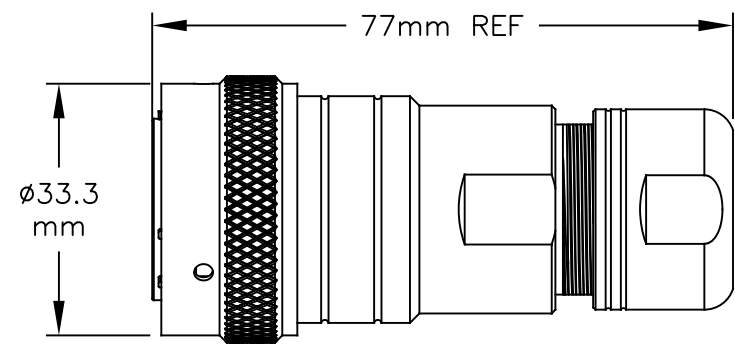
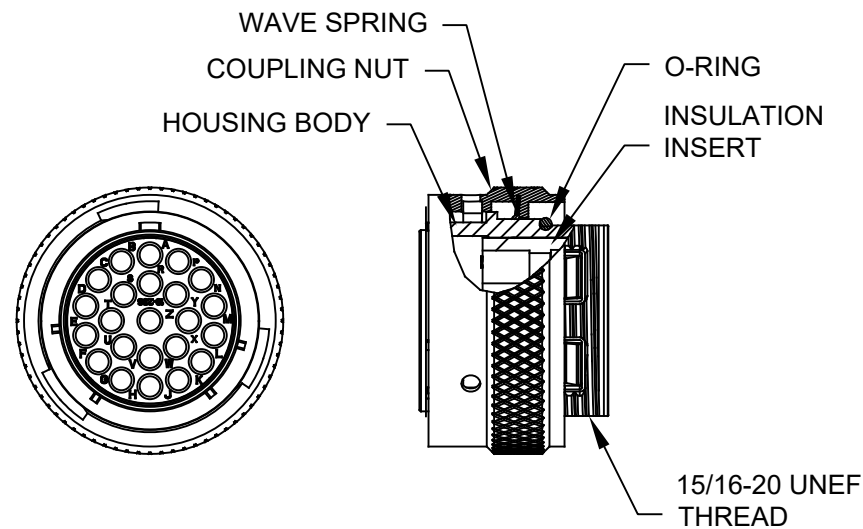


REVISIONS					
REV	ECD	DESCRIPTION	DATE	BY	APPR
01	-	RELEASE NEW DWG FORMAT	-	-	-
02	-	ADDED IP69K RATING	4/21/2020	RO	DR



ASSEMBLED VIEW



NOTES:

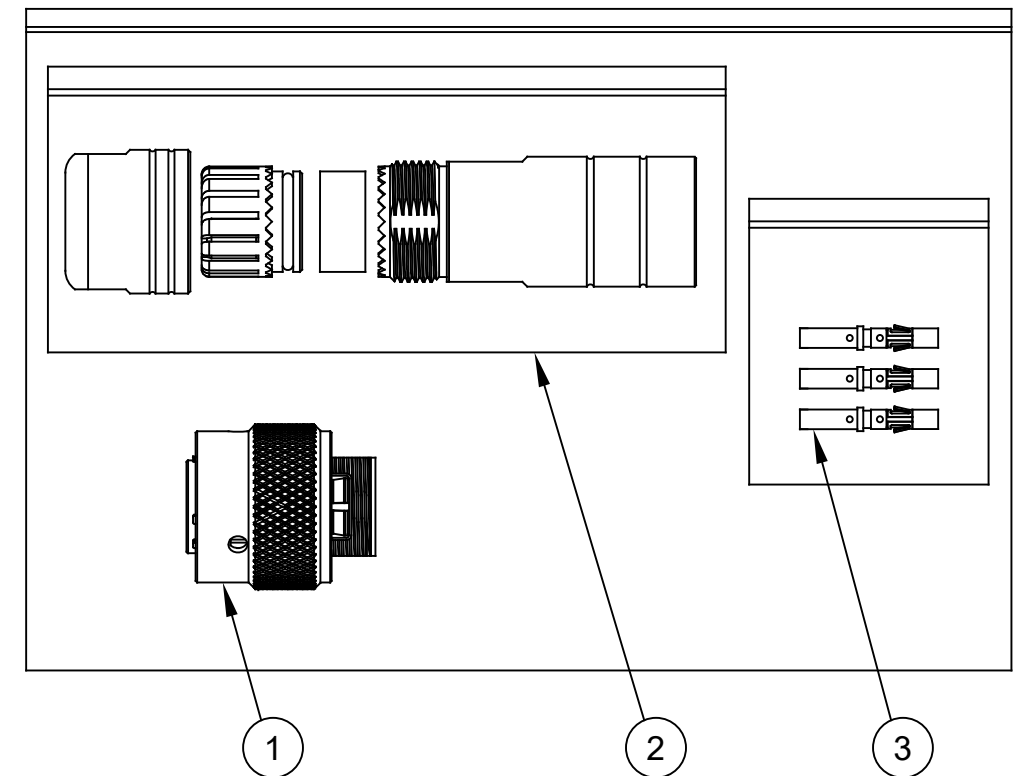
- 1) CORD GRIP RANGE: 10mm TO 14mm
- 2) CONTACT BARREL RANGE: 16AWG TO 18AWG
- 3) RECOMMENDED CRIMP TOOLS:
 HAND CRIMPER: MFX-3959
 PNEUMATIC CRIMPER: MFX-3960
- 4) EXTRACTION TOOL: QXRT16
- 5) MATERIALS:
 HOUSING BODY: ZINC DIE CAST, NICKEL PLATED
 COUPLING NUT: ALUMINUM ALLOY, NICKEL PLATED
 WAVE SPRING: STAINLESS STEEL
 INSULATION INSERT: PA66, UL94/V-0
 CONTACT: BRASS, GOLD FLASH PLATED
 SEAL AND O-RING:
 CONNECTOR: SILICONE
 CORD GRIP: NBR (NITRILE BUTADIENE RUBBER)
- 6) ELECTRICAL DATA:
 a) CURRENT (MAX): 13A
 b) VOLTAGE (MAX): 250VAC
 c) INSULATION RESISTANCE (MIN): 5000M OHMS
 d) TEST VOLTAGE (BETWEEN CONTACTS): 3050V

7) TECHNICAL DATA:

- a) TEMPERATURE RANGE: -40°C TO 105°C
- b) PROTECTION: IP67 (IP69K WHEN IN MATED CONDITION)
- c) MATING CYCLES: >500
- d) VIBRATION RESISTANCE PER MIL-STD-202 METHOD 204
- e) THERMAL SHOCK PER MIL-STD-202 METHOD 207
- f) 48 HOUR SALT SPRAY PER MIL-STD-202 METHOD 101

8) RoHS COMPLIANT

ILLUSTRATION: COMPLETE KIT



QUANTITY	PART NUMBER	DESCRIPTION	ITEM
23	MS16M23F	CONTACT, SOCKET, SIZE 16	3
1	RT0L-18CG-NS1	CORD GRIP	2
1	RT061823SNH03SS	CONNECTOR	1

MATERIALS LIST

UNLESS OTHERWISE SPECIFIED		SIGNATURES		DATE	<h1>Amphenol</h1> <p>Sine Systems - www.amphenol-sine.com 44724 Morley Drive Clinton Township, MI 48036</p>
1) All dimensions are in metric(mm).		DRAWN:	MRF	21AUG18	
2) Tolerances are as follows: 1 PL DEC ±0.30 2 PL DEC ±0.15 3 PL DEC ±0.08		CHECKED:			
3) Note reference = \triangle		ENGINEER:			
MATERIAL SPECIFICATIONS:		APPROVAL:			KIT, ECO-MATE RM
PROCESS SPECIFICATIONS:		CUSTOMER:			
NEXT ASSY:		THIS DRAWING IS SUPPLIED FOR INFORMATION ONLY. DESIGN FEATURES, SPECIFICATIONS AND PERFORMANCE DATA SHOWN HEREON ARE THE PROPERTY OF THE AMPHENOL CORPORATION. NO RIGHTS OF REPRODUCTION ARE IMPLIED. ALL DIMENSIONS ARE SUBJECT TO NORMAL MANUFACTURING VARIATIONS.			SIZE: B TYPE: C- DWG NO.: RT061823SNH03SS-K REVISION: 02
		SCALE: NONE			SHEET 1 OF 1

TITLE:

KIT, ECO-MATE RM

DWG NO:

REV: 01

SH: 1

DF: 1