

## RSF66 Dual Position Series



This series caters for a range of switching requirements used in fluid level control schemes, with vertical mounting featuring versions that provide independent high and low level switch elements. Manufactured from high grade Polyphenylene Sulphide (PPS) which is compatible with most liquids and chemicals. Hermetically sealed, magnetically actuated, reed switches allow direct input to processor control schemes or may be interfaced to pump / valve systems via electromechanical, or solid state, relays.

The single float range gives a separate closed contact at each of the levels indicated, with open contacts between those levels. The upper switch contact (N/O) closing on fluid rise (Make action), with the lower switch (N/C) opening on rise (Break action), with. Five predetermined switch separations are available as standard, providing fluid level differences from 50 to 150mm. This type is most suitable for processor control systems.

### Single float versions

Stock no.	Crydom no.	Upper Switch Level	Lower Switch Level	Total length	Gasket
424-9318	RSF66A25B75	30mm	75mm	102mm	Nitrile
424-9320	RSF66A25B100	30mm	100mm	127mm	Nitrile
424-9331	RSF66A25B125	30mm	125mm	152mm	Nitrile
424-9343	RSF66A25B150	30mm	150mm	177mm	Nitrile
424-9355	RSF66A25B175	30mm	175mm	202mm	Nitrile

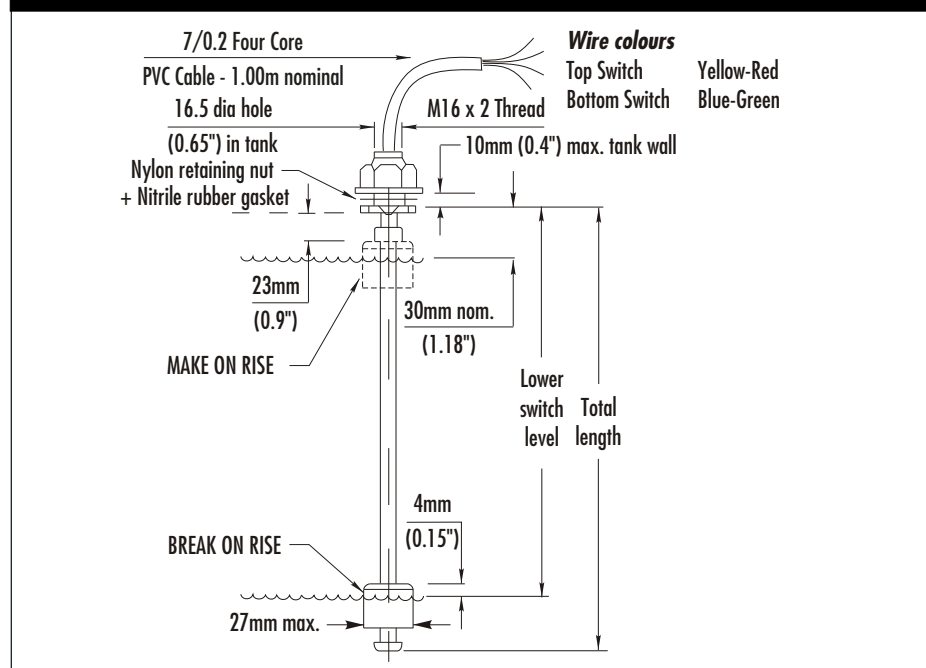
### Notes on Part Number

Upper switch is open when level is low, closing when level rises to 30mm from top.

Lower switch is open when level is high, closing when level falls to the lower switch level.



### OUTLINE DIMENSIONS



- **WRAS approved**
- **Simple to mount and use**
- **PPS material**
- **Many variants are UL recognised component File Number E171218**

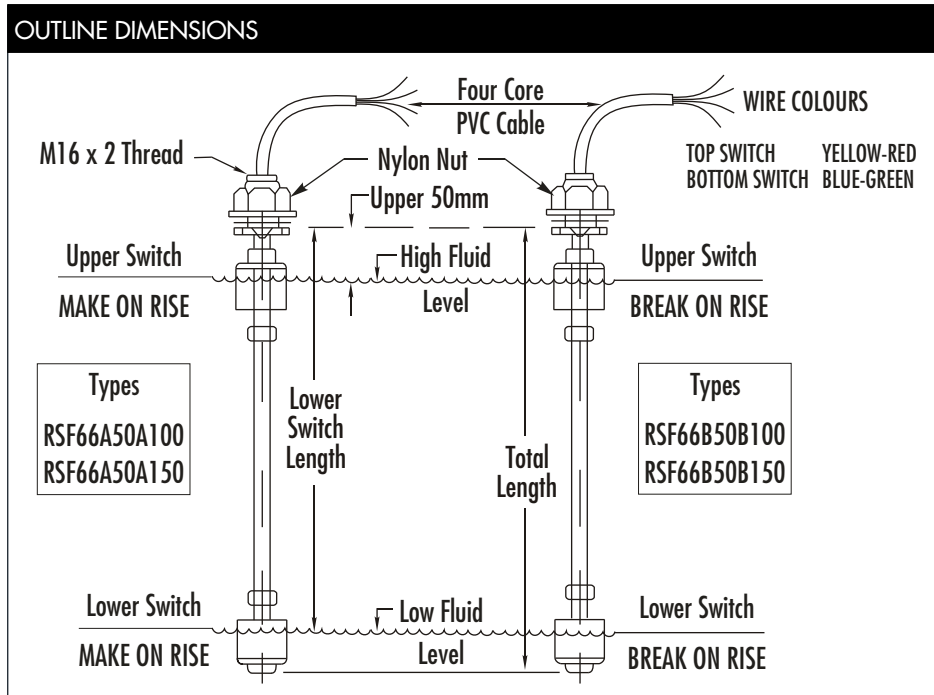
- 2 N/O or N/C Contacts
- 50mm or 100mm Differential
- PPS material
- Many variants are UL recognised component File Number E171218



The two float range provide Make/Make, or Break/Break, switch action with a choice of 50 or 100mm separations. This type is particularly suitable for controlling filling or emptying of tanks via electromechanical relays.

**Two float versions**

Stock no.	Crydom no.	Upper Switch Level	Lower Switch Level	Total length	Gasket
	RSF66A50A100	50mm	100mm	134mm	Nitrile
	RSF66A50A150	50mm	150mm	184mm	Nitrile
	RSF66B50B100	50mm	100mm	127mm	Nitrile
	RSF66B50B150	50mm	150mm	177mm	Nitrile



**CONTACT US NOW**

**UNITED KINGDOM  
CRYDOM**

- T** +44 (0) 1202 897969
- F** +44 (0) 1202 891918
- E** [magnetics@crydom.com](mailto:magnetics@crydom.com)
- W** [www.crydom.co.uk](http://www.crydom.co.uk)

**USA  
CRYDOM**

- T** +1 858 715 7200
- F** +1 858 715 7280
- E** [sales@crydom.com](mailto:sales@crydom.com)
- W** [www.crydom.com](http://www.crydom.com)

**TECHNICAL SPECIFICATIONS (Common to both Single and Double Float versions)**

MECHANICAL		ELECTRICAL	
Material	PPS	Switching Power VA	25
Colour	Grey	Switching Voltage AC	240
Temp. Range °C	-10 / +85	Switching Voltage DC	120
°F	+14 / +185	Switching Current Max. A	0.6
Min. Fluid S.G.	0.85	Breakdown Voltage DC	800
Cable	1m 4-core PVC 7/0.2	All ratings are for resistive load only	