

[Top Page](#) > [Products](#) > [Potentiometer](#) > [Slide Potentiometer](#)
[> RS**K Series](#) > [RSA0K12A1013](#)
 [Related information](#)
[Dimensions](#) [Lever Dimensions](#) [Circuit Diagram](#) [Packing Specifications](#)
 PRINT

Master Type (K Fader) RS**K Series

Detail

Part number	RSA0K12A1013
-------------	--------------

Number of resistor elements	Dual-unit
Direction of lever	Vertical
Travel	100mm
Type	Standard type
Lever type	1
Length of lever	12mm
Total resistance	10k Ω
Resistance taper	15A
Minimum order unit (pcs.)	100

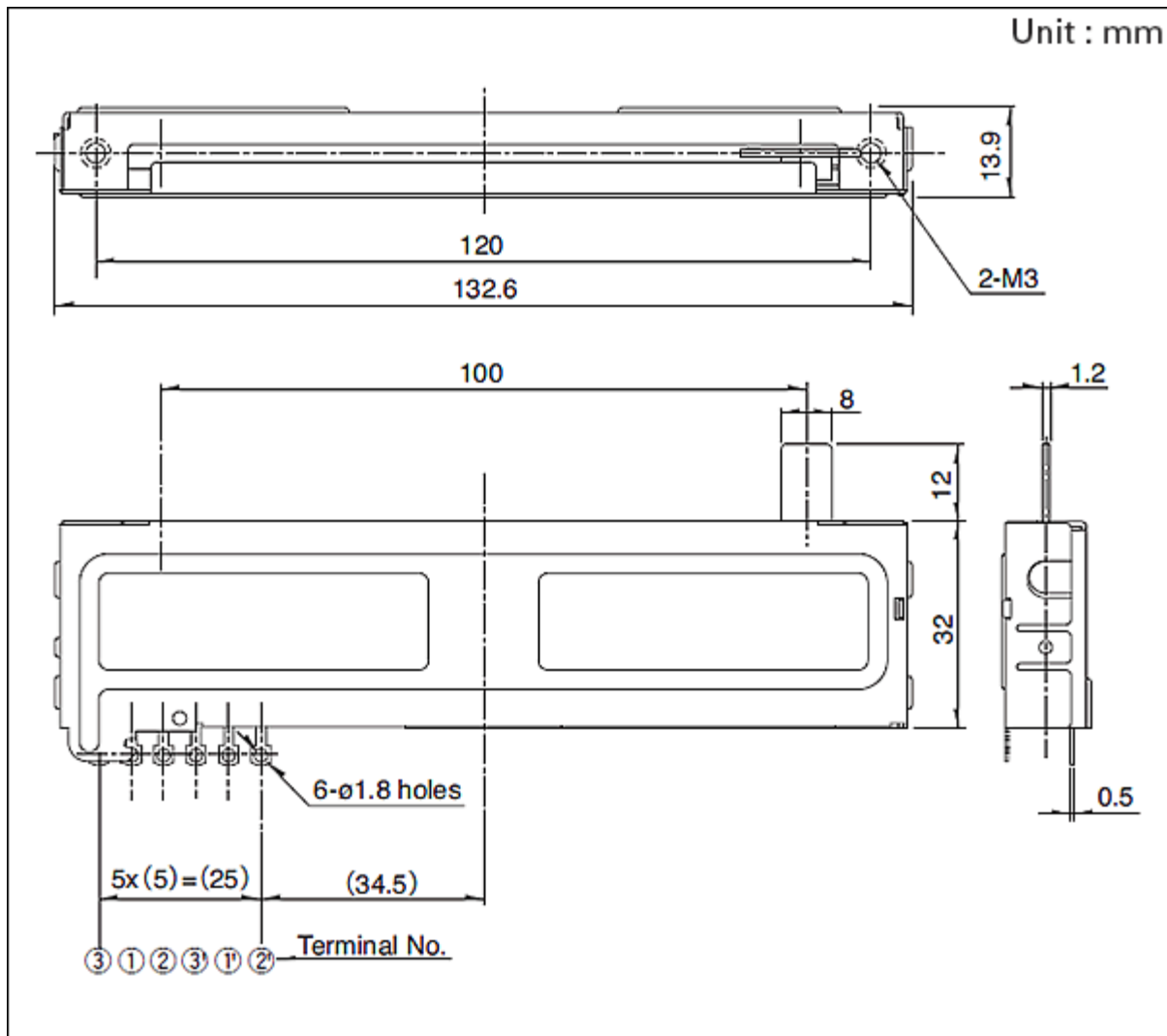
Operating temperature range		-10°C to +60°C
Electrical performance	Total resistance tolerance	$\pm 20\%$
	Maximum operating voltage	350V AC, 20V DC
Mechanical performance	Operating force	0.1 to 0.7N
	Stopper strength	100N
	Lever push-pull strength	100N
	Lever wobble (Both side)	1.6mm P-P or less
	Lever deviation (One side)	0.5mm max.
Solder heat resistance	Manual soldering	350°C max. 3s max.

Durability	Operating life	100,000 cycles
Environmental performance	Cold	-30±2°C for 96h
	Dry heat	70±2°C for 240h
	Damp heat	40±2°C, 90 to 95%RH for 96h

3D CAD (STEP)	Download
Certificate of Compliance to RoHS regulations	PDF

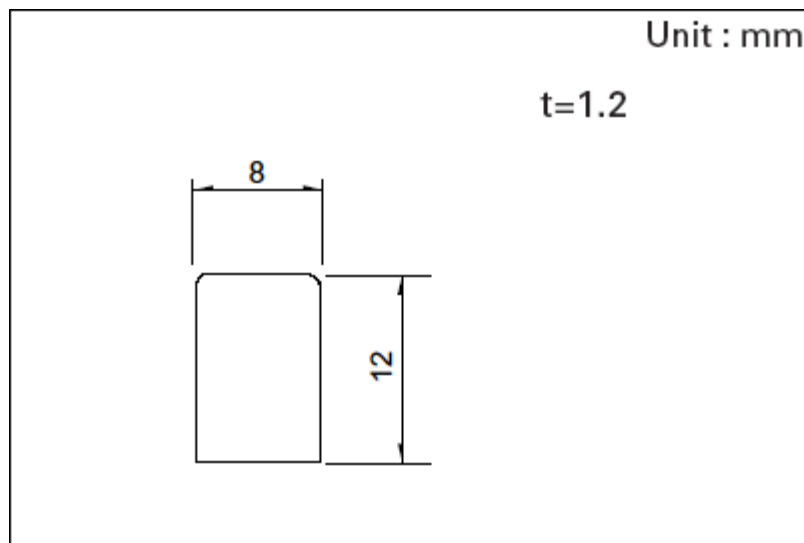
[TOP](#)

• Dimensions



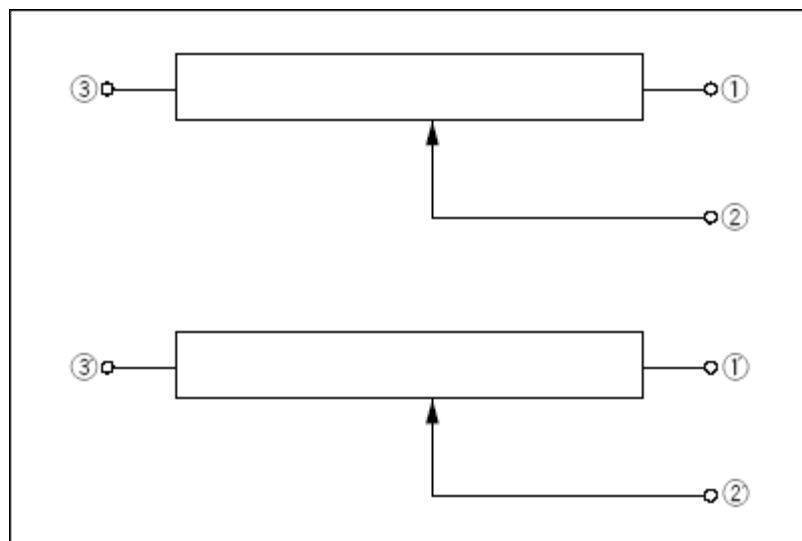
[TOP](#)

• Lever Dimensions



[TOP](#)

●● Circuit Diagram



[TOP](#)

●● Packing Specifications

Tray


Number of packages (pcs.)	1 case / Japan	50
	1 case / export packing	100
Export package measurements (mm)		370×520×201

[TOP](#)

>> NOTE

Notes are common to this series/models.

1. This site catalog shows only outline specifications. When using the products, please obtain formal specifications for supply.
2. Please place purchase orders per minimum order unit (integer).
3. Products other than those listed in above products are also available. Please contact us for details.
4. "L" in the "Lever Wobble" column of the above table indicates the length of lever.

 Inquiries about Products

For more information please contact: Products Information Center.

1-7, Yukigaya-otsukamachi, Ota-ku, Tokyo, 145-8501, Japan

Phone: +81 (3) 5499-8154

COPYRIGHT(C) 1995-2012 ALPS ELECTRIC CO., LTD.