

[Top Page](#) > [Products](#) > [Potentiometer](#) > [Slide Potentiometer](#)
[> RS6011*P Series](#) > [RS6011SP6004](#)
 [Related information](#)
[Dimensions](#) [Mounting Hole Dimensions](#) [Terminal Layout / Circuit Diagram](#)
[Packing Specifications](#)


Low-profile Master Type (Super P Fader) RS6011*P Series

Detail

Part number	RS6011SP6004
-------------	--------------

Number of resistor elements	Single-unit
Direction of lever	Vertical
Travel	60mm
Lever type	6
Length of lever	15mm
Total resistance	20k Ω
Resistance taper	15A
Minimum order unit (pcs.)	900

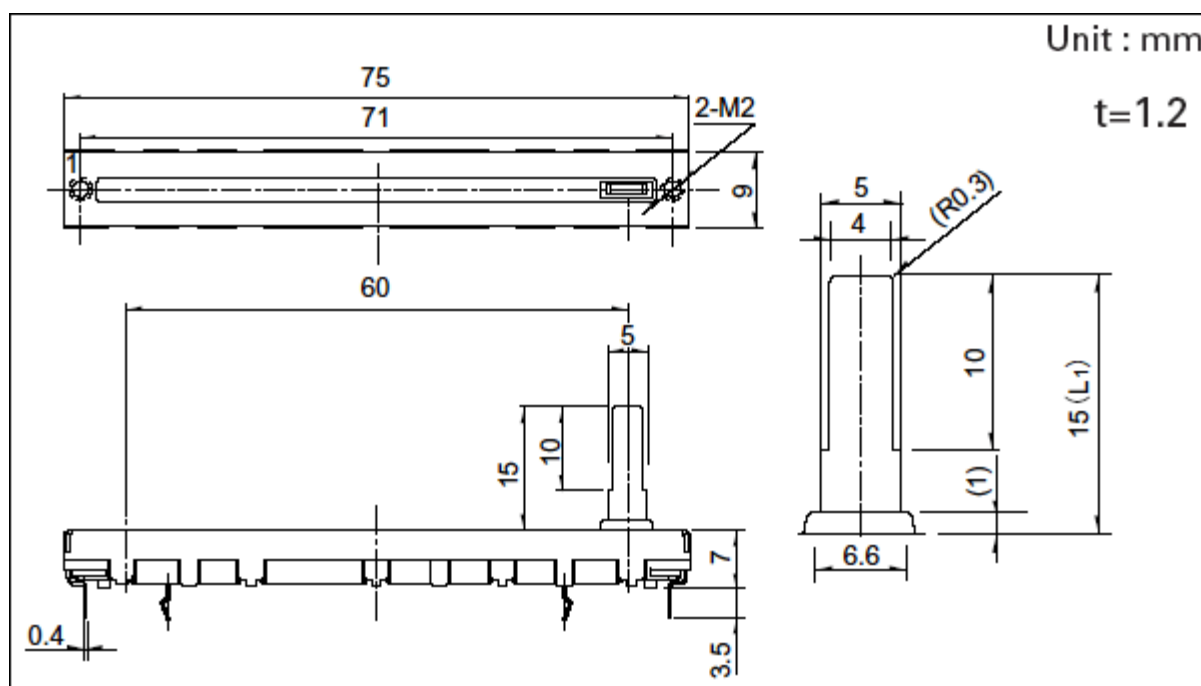
Operating temperature range		-10°C to +60°C
Electrical performance	Total resistance tolerance	$\pm 20\%$
	Maximum operating voltage	150V AC
Mechanical performance	Operating force	0.1 to 1.5N
	Stopper strength	100N
	Lever push-pull strength	50N
	Lever wobble (Both side)	2(2×L)/25mm
	Lever deviation (One side)	0.5mm max.
Solder heat resistance	Manual soldering	350°C max. 3s max.
	Dip soldering	260°C max. 5s max.

Durability	Operating life	30,000 cycles
Environmental performance	Cold	-30±2°C for 96h
	Dry heat	70±2°C for 240h
	Damp heat	40±2°C, 90 to 95%RH for 96h

3D CAD (STEP)	Download
Certificate of Compliance to RoHS regulations	PDF

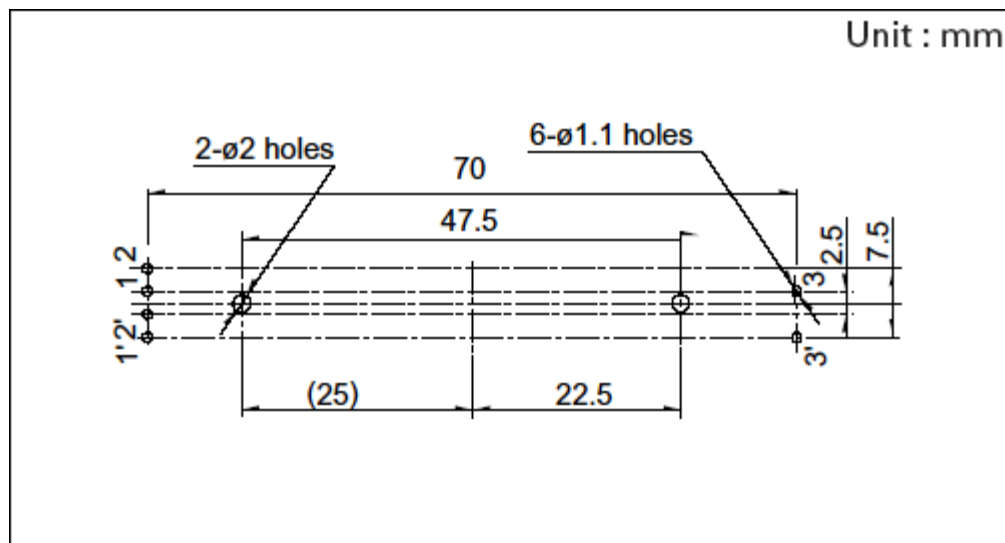
[TOP](#)

•• Dimensions



[TOP](#)

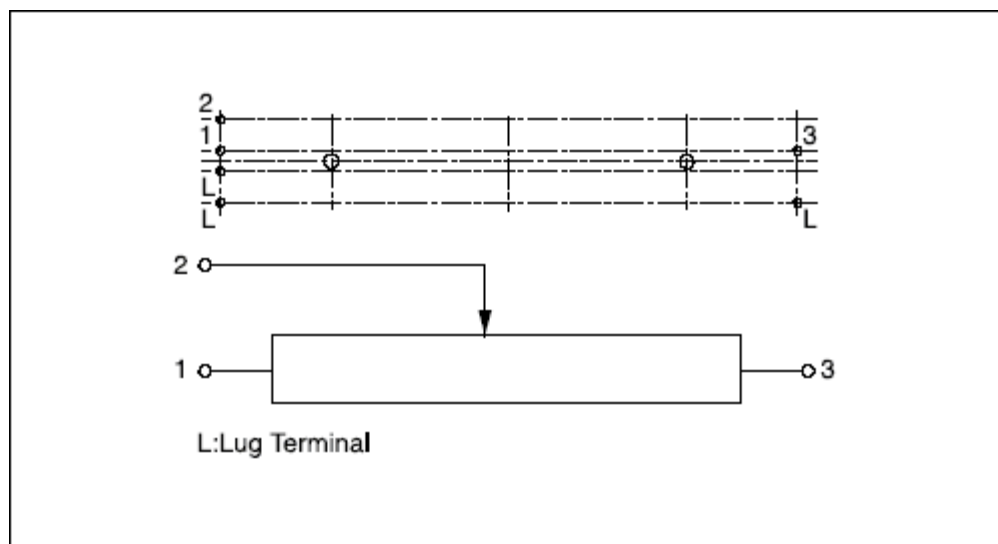
•• Mounting Hole Dimensions



1. Viewed from mounting side.
2. Lug terminals for terminals 1' 2' 3'.

[TOP](#)

Terminal Layout / Circuit Diagram



[TOP](#)

Packing Specifications

Tray

Number of packages (pcs.)	1 case / Japan	900
	1 case / export packing	900
Export package measurements (mm)		373×529×273


[TOP](#)

>> **NOTE**

Notes are common to this series/models.

1. This site catalog shows only outline specifications. When using the products, please obtain formal specifications for supply.
2. Please place purchase orders per minimum order unit (integer).
3. Products other than those listed in above products are also available. Please contact us for details.

4. "L" in the "Lever Wobble" column of the above table indicates the length of lever.

 Inquiries about Products

For more information please contact: Products Information Center.

1-7, Yukigaya-otsukamachi, Ota-ku, Tokyo, 145-8501, Japan

Phone: +81 (3) 5499-8154

COPYRIGHT(C) 1995-2012 ALPS ELECTRIC CO., LTD.