

Slide Potentiometer > RS6011*P Series > RS6011DP6003
 Low-profile Master Type (Super P Fader) RS6011*P Series

| [Dimensions](#) | [Mounting Hole Dimensions](#) | [Terminal Layout / Circuit Diagram](#) |
 | [Packing Specifications](#) | [Soldering Conditions](#) |

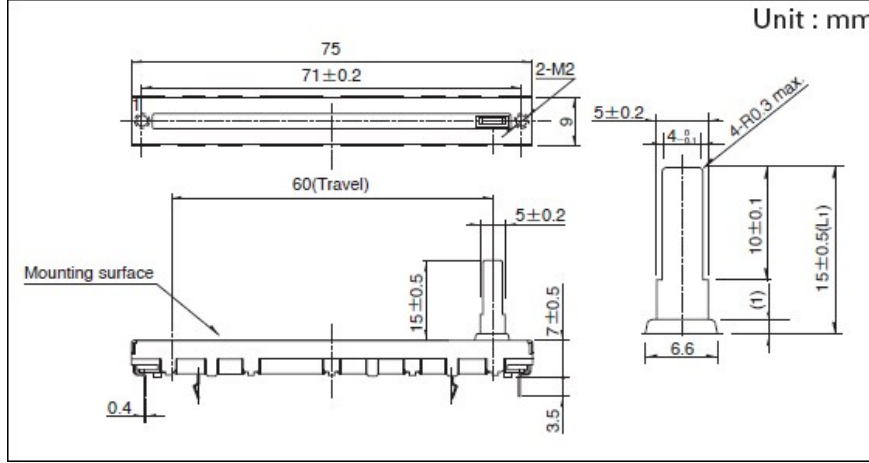


Part number
RS6011DP6003 [Series Common Info](#)

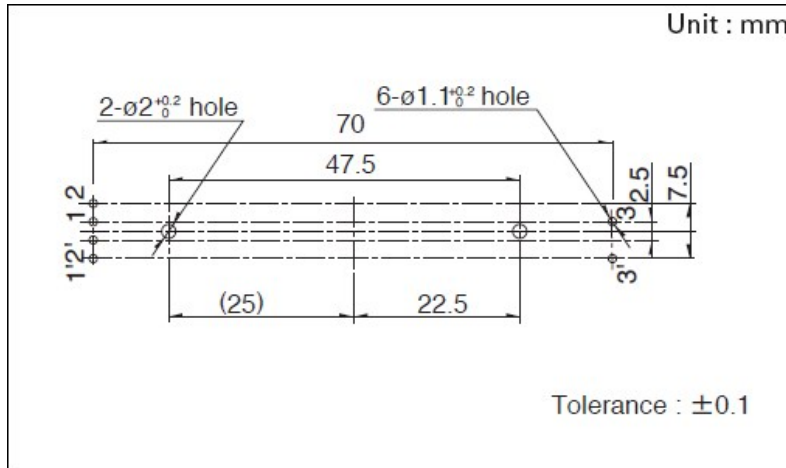
[NET SHOP](#) [3D CAD](#)
[RoHS](#) [Print](#)
[Inquiry](#)

Number of resistor elements		Dual-unit
Direction of lever		Vertical
Travel		60mm
Lever type		6
Length of lever		15mm
Total resistance		20kΩ
Resistance taper		15A
Operating temperature range		-10°C to +60°C
Electrical performance	Total resistance tolerance	±20%
	Maximum operating voltage	150V AC, 10V DC
	Rated power	0.1W
	Insulation resistance	100MΩ min. 250V DC
	Voltage proof	250V AC for 1 minute
Mechanical performance	Operating force	0.5(+1.0, -0.4)N
	Stopper strength	100N
	Lever push-pull strength	50N
	Lever wobble (Both side)	2.4mm
	Lever deviation (One side)	0.5mm max.
Durability	Operating life	30,000 cycles
Minimum order unit (pcs.)	Japan	900
	Export	900

Dimensions

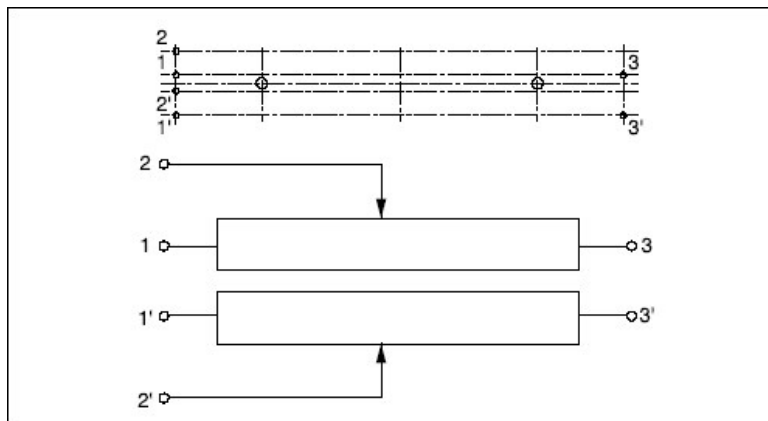


Mounting Hole Dimensions



Viewed from mounting side.

Terminal Layout / Circuit Diagram



Packing Specifications

Tray

Number of packages (pcs.)	1 case / Japan	900
	1 case / export packing	900
Export package measurements (mm)	529×373×273	

Soldering Conditions

Reference for Dip Soldering

Preheating	Soldering surface temperature	100°C max.
	Heating time	1 min. max.
Dip soldering	Soldering temperature	260°C max.

	Soldering time	5s max.
No. of solders		1 time
Reference for Hand Soldering		
Tip temperature		350°C max.
Soldering time		3s max.
No. of solders		1 time

Notes are common to this series/models.

1. This site catalog shows only outline specifications. When using the products, please obtain formal specifications for supply.
2. Please place purchase orders per minimum order unit (integer).
3. Products other than those listed in above products are also available. Please contact us for details.
4. "L" in the "Lever Wobble" column of the above table indicates the length of lever.

Inquiries about Products



COPYRIGHT© 2021 ALPS ALPINE CO., LTD

This website uses cookies

We use cookies to personalize content and ads, to provide social media features and to analyze the number of ads display and click. We also collect and share information about your use of our site with our social media, advertising and analytics partners who may combine it with other information that you've provided to them or that they've collected from your use of their services. If you agree to the use of cookies, please click "Allow all cookies" or check the checkbox of the cookie item you agree with, and then click "Allow selection". If you do not agree, leave only the "Necessary" items checked and click "Allow selection".

Allow selecti
Allow all coo

Necessary
 Preferences
 Statistics
 Marketing
 Show details ▼