

Type RS16

Resettable Fuse (PTC's)

Radial Leaded



www.optifuse.com

(619) 593-5050

Application:

Wide variety of electronic equipment

Product Features:

Very high hold current, Solid State

Radial-leaded product ideal for up to 16Vdc

Operation Current: 2.5A~14.0A

Maximum Voltage: 16V

Temperature Range: -40°C to 85°C

Agency Standards and Listings:



Electrical Characteristics (23°C)

| Part Number | Hold Current | Trip Current | Max. Time To Trip | Maximum Current | Rated Voltage | Typical Power | Resistance Tolerance | |
|-------------|--------------|--------------|-------------------|-----------------|----------------|---------------|----------------------|--------------------|
| | I_H, A | I_T, A | at $5xI_H, S$ | I_{MAX}, A | V_{MAX}, Vdc | Pd, W | R_{MIN}, Ω | $R1_{MAX}, \Omega$ |
| RS16-250 | 2.5 | 4.7 | 5.0 | 100 | 16 | 1.0 | 0.022 | 0.053 |
| RS16-300 | 3.0 | 5.1 | 2.0 | 100 | 16 | 2.3 | 0.034 | 0.105 |
| RS16-400 | 4.0 | 6.8 | 3.5 | 100 | 16 | 2.4 | 0.020 | 0.063 |
| RS16-500 | 5.0 | 8.5 | 3.6 | 100 | 16 | 2.6 | 0.014 | 0.044 |
| RS16-600 | 6.0 | 10.2 | 5.8 | 100 | 16 | 2.8 | 0.009 | 0.033 |
| RS16-700 | 7.0 | 11.9 | 8.0 | 100 | 16 | 3.0 | 0.006 | 0.021 |
| RS16-800 | 8.0 | 13.6 | 9.0 | 100 | 16 | 3.0 | 0.005 | 0.018 |
| RS16-900 | 9.0 | 15.3 | 12.0 | 100 | 16 | 3.3 | 0.004 | 0.015 |
| RS16-1000 | 10.0 | 17.0 | 12.5 | 100 | 16 | 3.3 | 0.003 | 0.012 |
| RS16-1100 | 11.0 | 18.7 | 13.5 | 100 | 16 | 3.7 | 0.003 | 0.010 |
| RS16-1200 | 12.0 | 20.4 | 16.0 | 100 | 16 | 4.2 | 0.002 | 0.009 |
| RS16-1400 | 14.0 | 23.8 | 20.0 | 100 | 16 | 4.6 | 0.002 | 0.008 |

I_H = **Hold Current** – Maximum current at which the device will not trip at 23°C still air.

I_T = **Trip Current** – Minimum current at which the device will always trip at 23°C still air.

V_{MAX} = Maximum voltage device can withstand without damage at it's rated current.

I_{MAX} = Maximum fault current device can withstand without damage at rated voltage (V max).

Pd = Maximum power dissipated from device when in the tripped state in 23°C still air environment.

R_{MIN} = Minimum device resistance at 23°C.

$R1_{MAX}$ = Maximum device resistance at 23°C, 1 hour after tripping.

Note: All specifications subject to change without notice.

Rev B 09/2015 - Page: 1/4
Code:F01-01W

Type RS16

Resettable Fuse (PTC's)

Radial Leaded

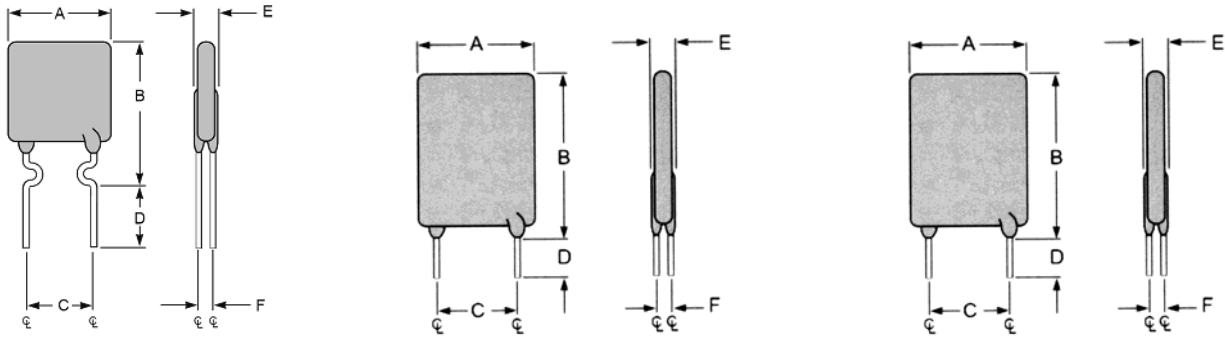


www.optifuse.com (619) 593-5050

Physical Specifications:

- Lead Material:** Tin plated copper, 24AWG, 20 AWG, 18 AWG.
- Soldering Characteristics:** MIL-STD-202, method 208E.
- Insulating Coating:** Flame retardant epoxy, meet UL-94V-0 requirement.

RS16 Product Dimensions (millimeters)



RS16-250
Lead Size: 24AWG,
0.51 mm Diameter

RS16-300 ~ RS16-1100
Lead Size: 20AWG,
0.81 mm Diameter

RS16-1200 ~ RS16-1400
Lead Size: 18AWG,
1.0 mm Diameter

| Part Number | A | B | C | D | E | F |
|-------------|---------|---------|---------|---------|---------|---------|
| | Maximum | Maximum | Typical | Minimum | Maximum | Typical |
| RS16-250 | 8.9 | 12.8 | 5.1 | 7.6 | 3.0 | 1.2 |
| RS16-300 | 7.1 | 11.0 | 5.1 | 7.6 | 3.0 | 1.2 |
| RS16-400 | 8.9 | 12.8 | 5.1 | 7.6 | 3.0 | 1.2 |
| RS16-500 | 10.4 | 14.3 | 5.1 | 7.6 | 3.0 | 1.2 |
| RS16-600 | 10.7 | 17.1 | 5.1 | 7.6 | 3.0 | 1.2 |
| RS16-700 | 11.2 | 19.7 | 5.1 | 7.6 | 3.0 | 1.2 |
| RS16-800 | 12.7 | 20.9 | 5.1 | 7.6 | 3.0 | 1.2 |
| RS16-900 | 14.0 | 21.7 | 5.1 | 7.6 | 3.0 | 1.2 |
| RS16-1000 | 16.5 | 24.1 | 5.1 | 7.6 | 3.0 | 1.2 |
| RS16-1100 | 17.5 | 26.0 | 5.1 | 7.6 | 3.0 | 1.2 |
| RS16-1200 | 17.5 | 28.0 | 10.2 | 7.6 | 3.0 | 1.4 |
| RS16-1400 | 27.9 | 27.9 | 10.2 | 7.6 | 3.0 | 1.4 |

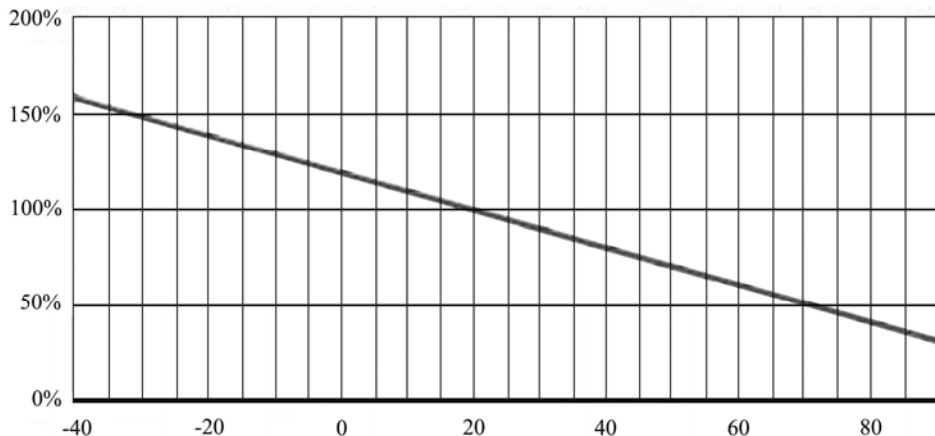
Note: All specifications subject to change without notice.

**Type RS16
Resettable Fuse (PTC's)
Radial Leaded**



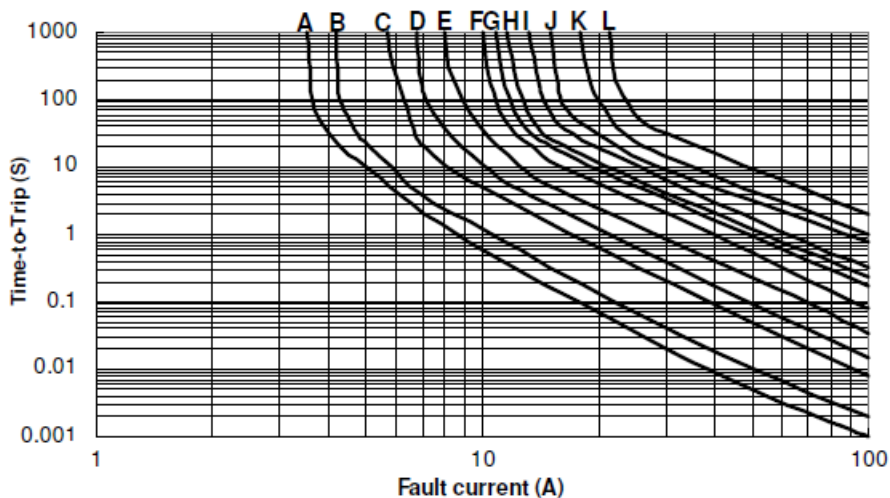
www.optifuse.com (619) 593-5050

Thermal Derating Curve – RS16 Series



Typical Time-To-Trip at 23°C

- A = RS16-250
- B = RS16-300
- C = RS16-400
- D = RS16-500
- E = RS16-600
- F = RS16-700
- G = RS16-800
- H = RS16-900
- I = RS16-1000
- J = RS16-1100
- K = RS16-1200
- L = RS16-1400



Note: All specifications subject to change without notice.

Type RS16 Resettable Fuse (PTC's) Radial Leaded



www.optifuse.com (619) 593-5050

Standard Package

| Part Number | Pcs/Bag | Reel/Tape |
|-------------|---------|-----------|
| RS16-250 | 500 | 2.5K |
| RS16-300 | 500 | 2.5K |
| RS16-400 | 300 | 2.5K |
| RS16-500 | 300 | 2.5K |
| RS16-600 | 300 | 2.5K |
| RS16-700 | 200 | 1.5K |
| RS16-800 | 200 | --- |
| RS16-900 | 200 | --- |
| RS16-1000 | 100 | --- |
| RS16-1100 | 100 | --- |
| RS16-1200 | 100 | --- |
| RS16-1400 | 100 | --- |

Warning:



-Operation beyond the specified maximum ratings or improper use may result in damage and possible electrical arcing and/or flame.
-PPTC device are intended for occasional overcurrent protection. Application for repeated overcurrent condition and/or prolonged trip are not anticipated.
-Avoid contact of PPTC device with chemical solvent. Prolonged contact will damage the device performance.

Note: All specifications subject to change without notice.

Rev B 09/2015 - Page: 4/4
Code:F01-01W