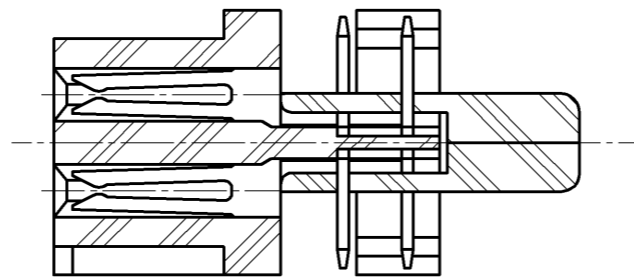
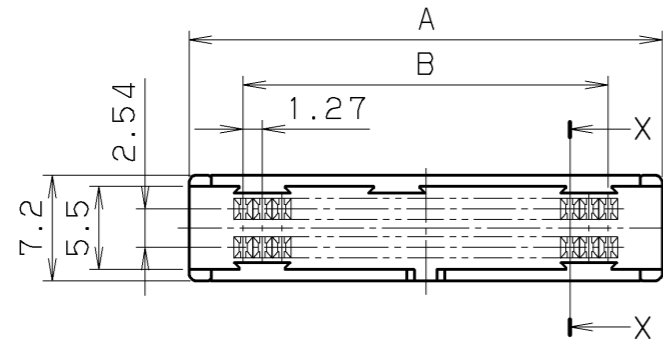


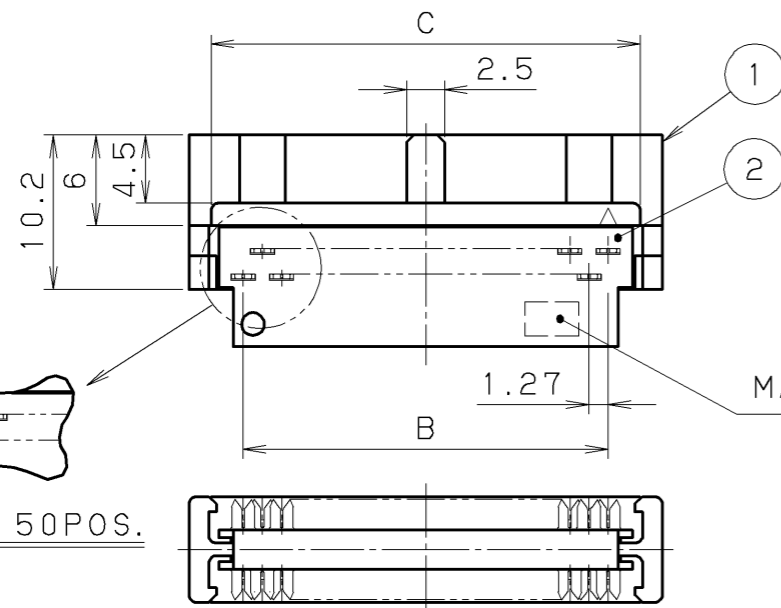
PART NO.	CABLE CHARACTERISTICS	MARKING
RPS-( )FK-( )+	FOR FLAT CABLE #28AWG (7/0.127) #30AWG (1/0.254)	—
RPS-( )FKB-( )+	FOR FLAT CABLE #30AWG (7/0.1)	B

No. OF POS.	PART No.	A	B	C	STANDARD KEY POSITION
20	RPS-20FK( )-( )+	18.57	1.27x9=11.43	15.67	A, B, AB
26	RPS-26FK( )-( )+	22.38	1.27x12=15.24	19.48	A, B, AB
34	RPS-34FK( )-( )+	27.46	1.27x16=20.32	24.56	1C, 2A, AC
40	RPS-40FK( )-( )+	31.27	1.27x19=24.13	28.37	1C, 2A, AC
50	RPS-50FK( )-( )+	37.62	1.27x24=30.48	34.72	1D, 2A, AD
52	RPS-52FK( )-( )+	38.89	1.27x25=31.75	35.99	1D, 2A, AD
60	RPS-60FK( )-( )+	43.97	1.27x29=36.83	41.07	1D, 4A, AD
68	RPS-68FK( )-( )+	49.05	1.27x33=41.91	46.15	1E, 4A, AE
80	RPS-80FK( )-( )+	56.67	1.27x39=49.53	53.77	1F, 4A, AF
100	RPS-100FK( )-( )+	69.37	1.27x49=62.23	66.47	1F, 6A, AF
120	RPS-120FK( )-( )+	82.07	1.27x59=74.93	79.17	1H, 8A, AH



X-X SECTION  
(S=5/1)

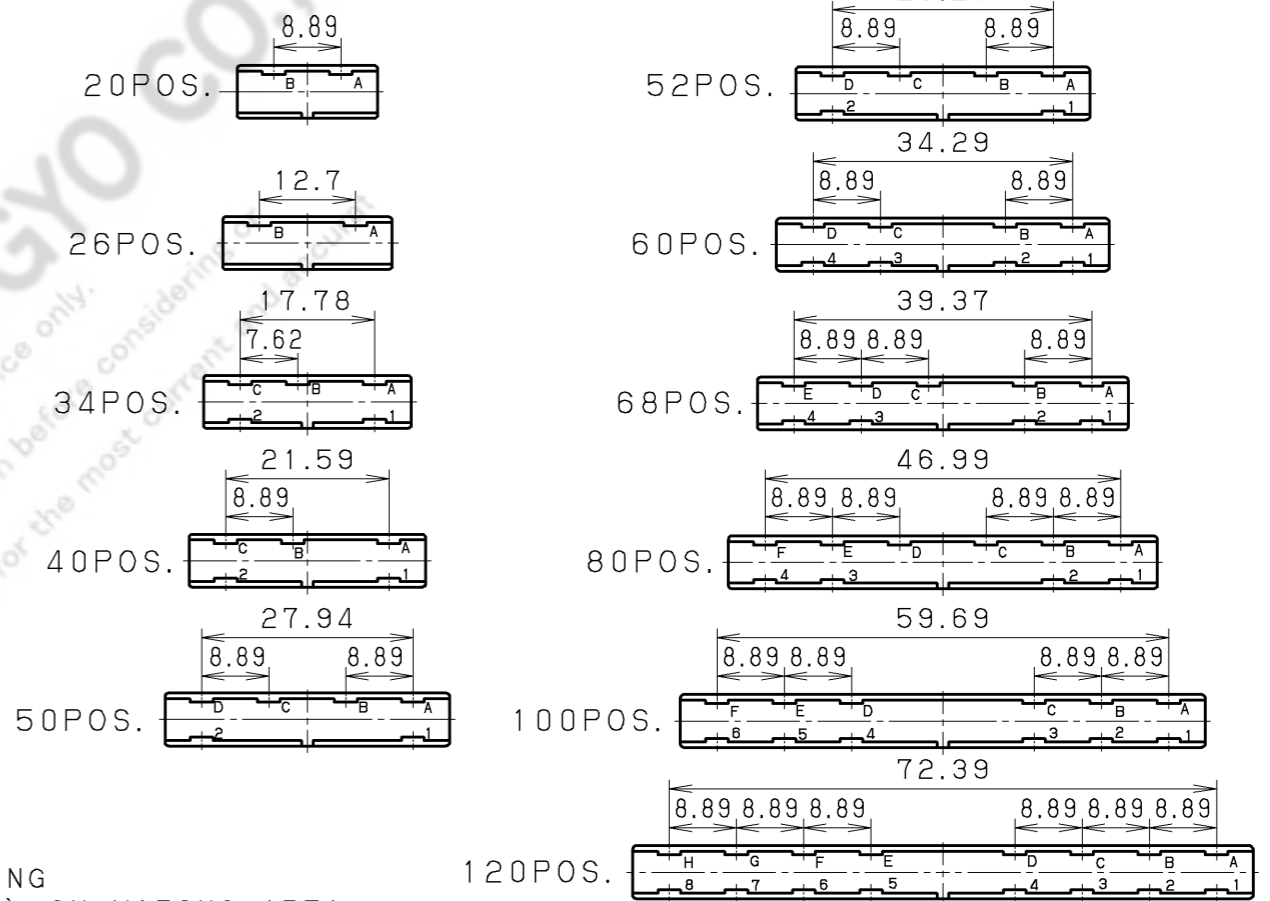
KEY POSITION DIM.



MARKING

AFTER CABLE ASSEMBLY

26, 34, 50 POS.



NOTE.2  
PART NO.

RPS-( )FK( )-( )+

NO. OF POS.  
CABLE CHARACTERISTICS  
KEY POSITION.

INSERT THE INSULATOR KEY TO DESIGNATED POS  
THAT REFERED KEY POS. DIM.

RPS-( )FK( )+ : NOTHING INSULATOR KEY.



INSULATOR KEY

NOTE1.  
CONTACT PLATING  
Au (0.2μm MIN.) ON MATING AREA,  
Au ON TERMINATION AREA,  
ALL OVER NI UNDERPLATED.

5	CABLE COVER B	PBT (GF)	1	—	UL94V-0 BLACK					
4	CABLE COVER A	PBT (GF)	1	—	UL94V-0 BLACK					
3	SOCKET CONTACT	PHOSPHOR BRONZE	No. OF POS.	NOTE # 1	—					
2	SPACER	PBT (GF)	2	—	UL94V-0 BLACK					
1	INSULATOR	PBT (GF)	1	—	UL94V-0 BLACK					
LTR.	DATE	BY	REV.	DESCRPT	No.	PART NAME	MATERIAL	QTY	FINISH	NOTE
	Mar. 31. 2004		2 / 1			3RD. A. P				HONDA TSUSHIN KOGYO CO., LTD.
DR.	DE.	CHK.	CHK.	APP.	NAME		1.27mm SPACING RPS TYPE FEMALE CONNECTOR (RoHS)			
Y. OHKI	Y. OHKI	T. SOGO	K. HOMMA	S. FURUSAWA	PART NO.	RPS-( )FK( )-( )+	REV.			